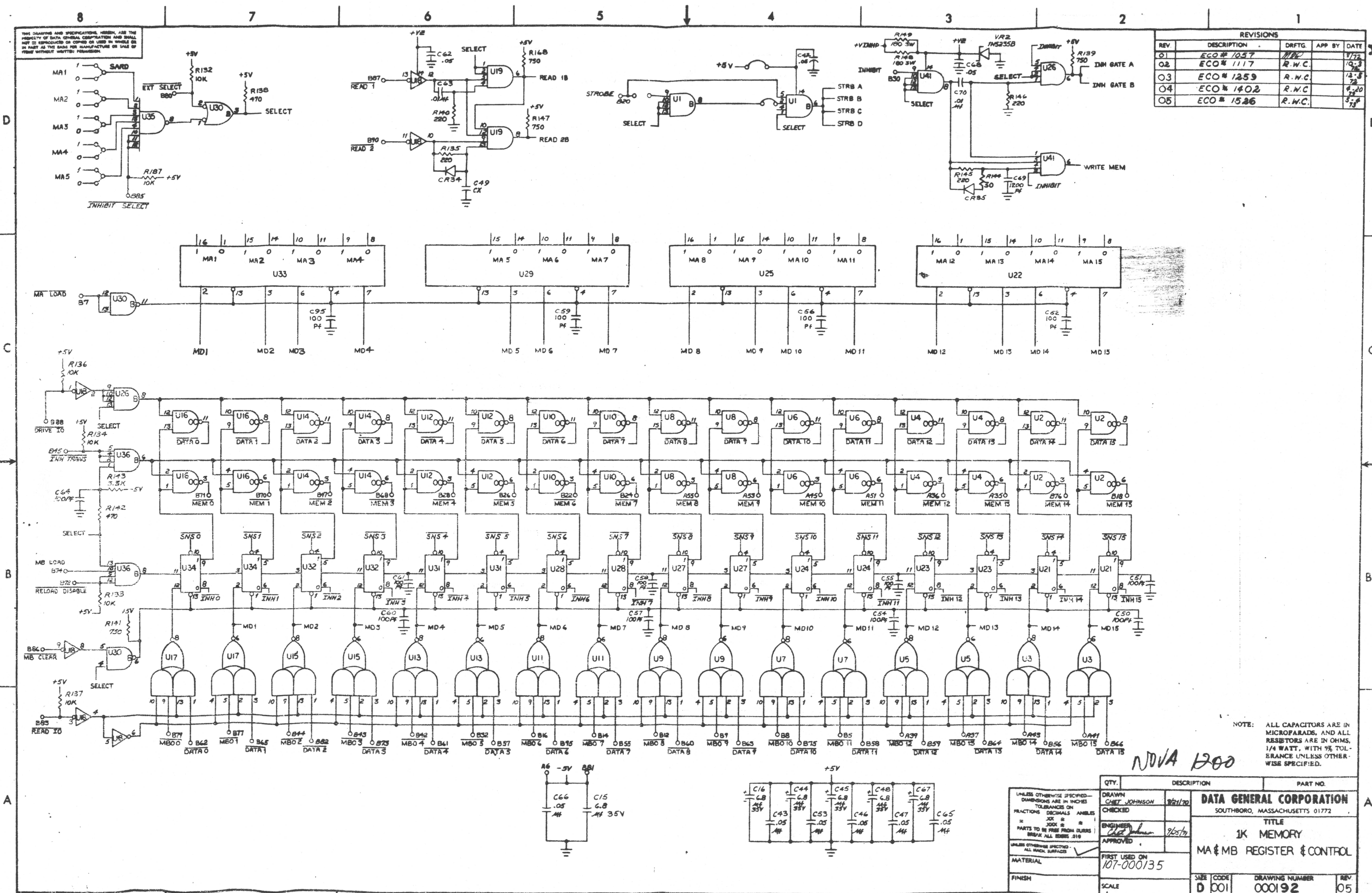


THIS DRAWING AND SPECIFICATIONS HEREBY ARE THE PROPERTY OF DATA GENERAL CORPORATION AND SHALL NOT BE REPRODUCED OR COPIED OR USED IN WHOLE OR IN PART AS THE BASIS FOR MANUFACTURE OR SALE OF ITEMS WITHOUT WRITTEN PERMISSION.

REVISIONS				
REV	DESCRIPTION	DRFTG	APP BY	DATE
01	ECO # 1057	WJC		1/72
02	ECO # 1117	R.W.C.		10/72
03	ECO # 1259	R.W.C.		12/72
04	ECO # 1402	R.W.C.		6/73
05	ECO # 1526	R.W.C.		3/73

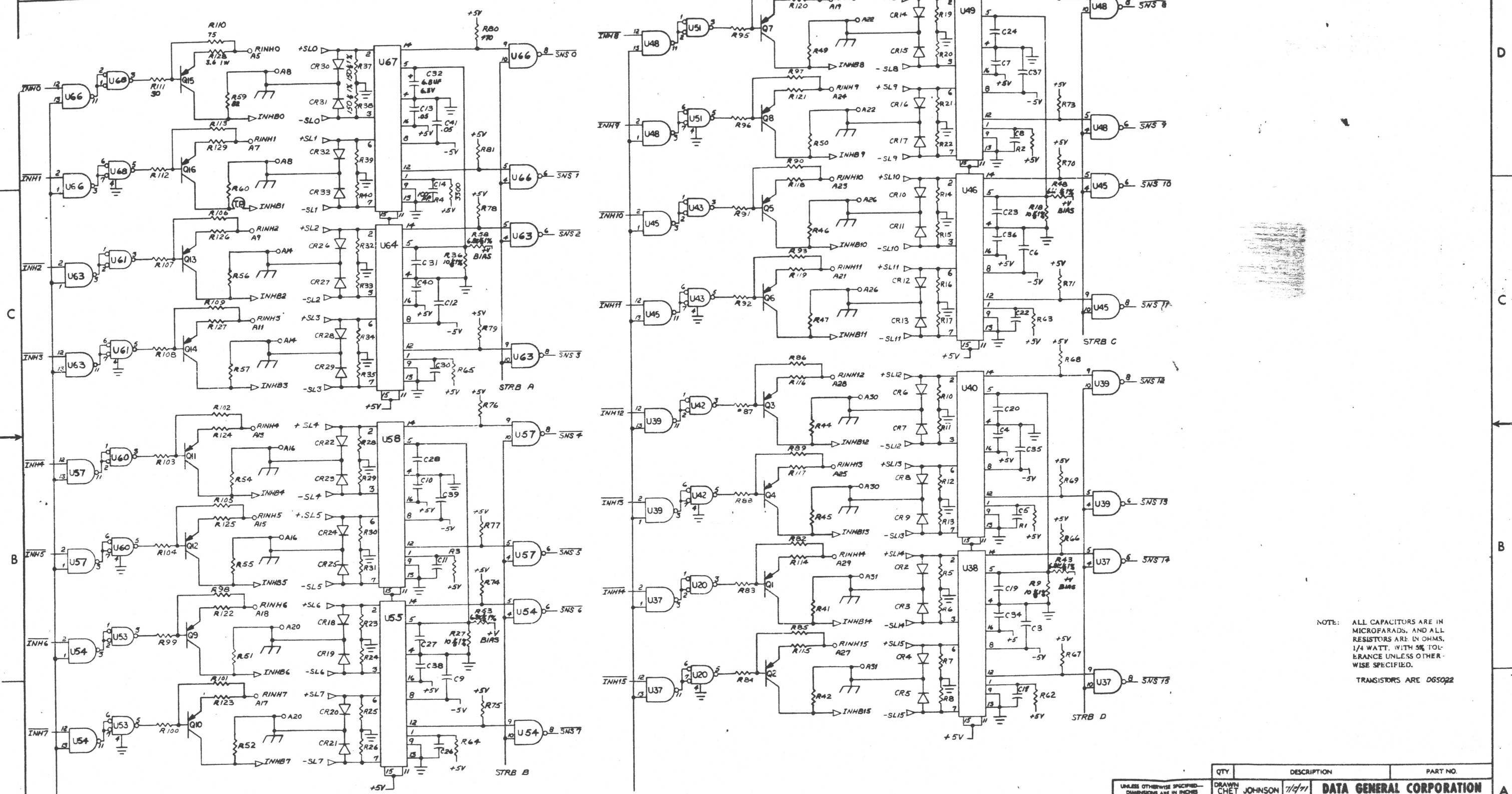


QTY.	DESCRIPTION	PART NO.
	DRAWN CHET JOHNSON	
	CHECKED	
	ENGINEER WJC	
	APPROVED	
	FIRST USED ON 107-000135	
	MATERIAL	
	FINISH	
	SCALE	
	SIZE CODE D 001	
	DRAWING NUMBER 000192	
	REV 05	

NDVA 1200

THIS DRAWING AND SPECIFICATIONS HEREIN, ARE THE PROPERTY OF DATA GENERAL CORPORATION AND SHALL NOT BE REPRODUCED OR COPIED OR USED IN WHOLE OR IN PART AS THE BASIS FOR MANUFACTURE OR SALE OF THIS WITHOUT WRITTEN PERMISSION.

REVISIONS				
REV	DESCRIPTION	DRAFTG	APP BY	DATE



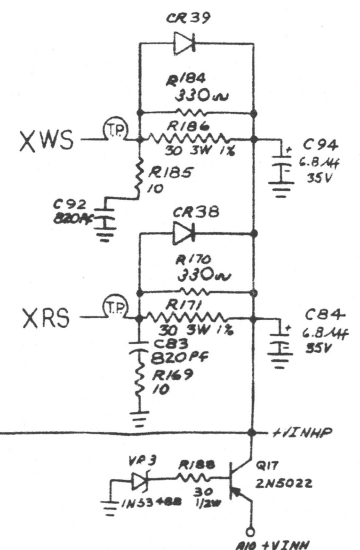
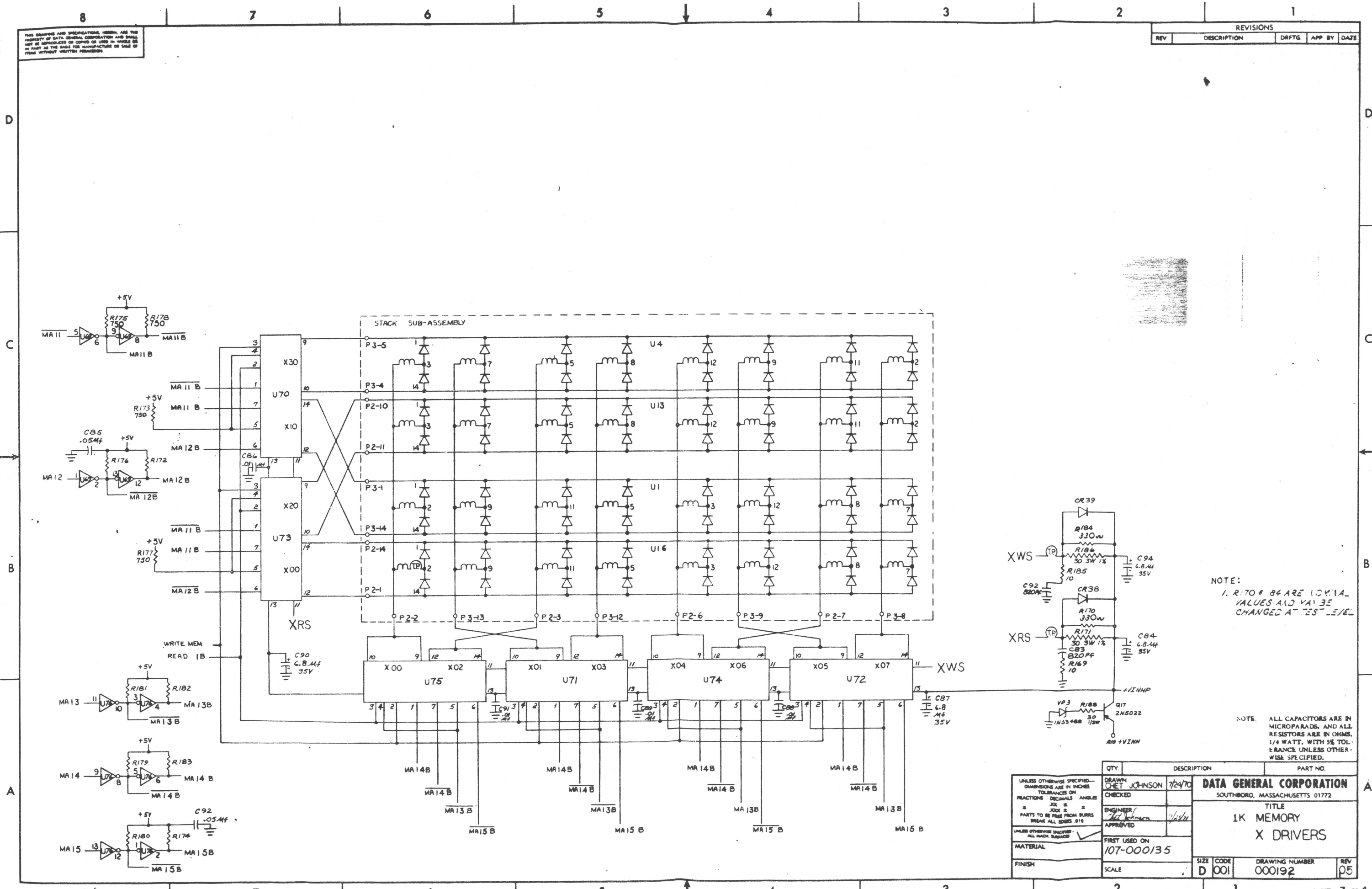
NOTE: ALL CAPACITORS ARE IN MICROFARADS, AND ALL RESISTORS ARE IN OHMS, 1/4 WATT, WITH 5% TOLERANCE UNLESS OTHERWISE SPECIFIED.
TRANSISTORS ARE 06S022

QTY	DESCRIPTION	PART NO.

UNLESS OTHERWISE SPECIFIED— DIMENSIONS ARE IN INCHES FRACTIONS DECIMALS ANGLES JOE S PARTS TO BE FREE FROM BURRS BREAK ALL EDGES 010	DRAWN CHET JOHNSON 7/12/71	DATA GENERAL CORPORATION SOUTHBORO, MASSACHUSETTS 01772
UNLESS OTHERWISE SPECIFIED— ALL MACH SURFACES	ENGINEER <i>[Signature]</i> APPROVED	TITLE 1K MEMORY SENSE & INHIBIT
MATERIAL	FIRST USED ON 107-000135	SIZE CODE D 001
FINISH	SCALE	DRAWING NUMBER 000192
		REV. 05

THIS DRAWING AND SPECIFICATIONS HEREIN ARE THE PROPERTY OF DATA GENERAL CORPORATION AND SHALL NOT BE REPRODUCED OR COPIED OR USED IN WHOLE OR IN PART AS THE BASIS FOR MANUFACTURE OR SALE OF ITEMS WITHOUT WRITTEN PERMISSION.

REVISIONS			
REV	DESCRIPTION	DFTG	APP BY DATE



NOTE:
1. R170 & R184 ARE ORIGINAL VALUES AND HAVE BEEN CHANGED AT TEST LEVEL

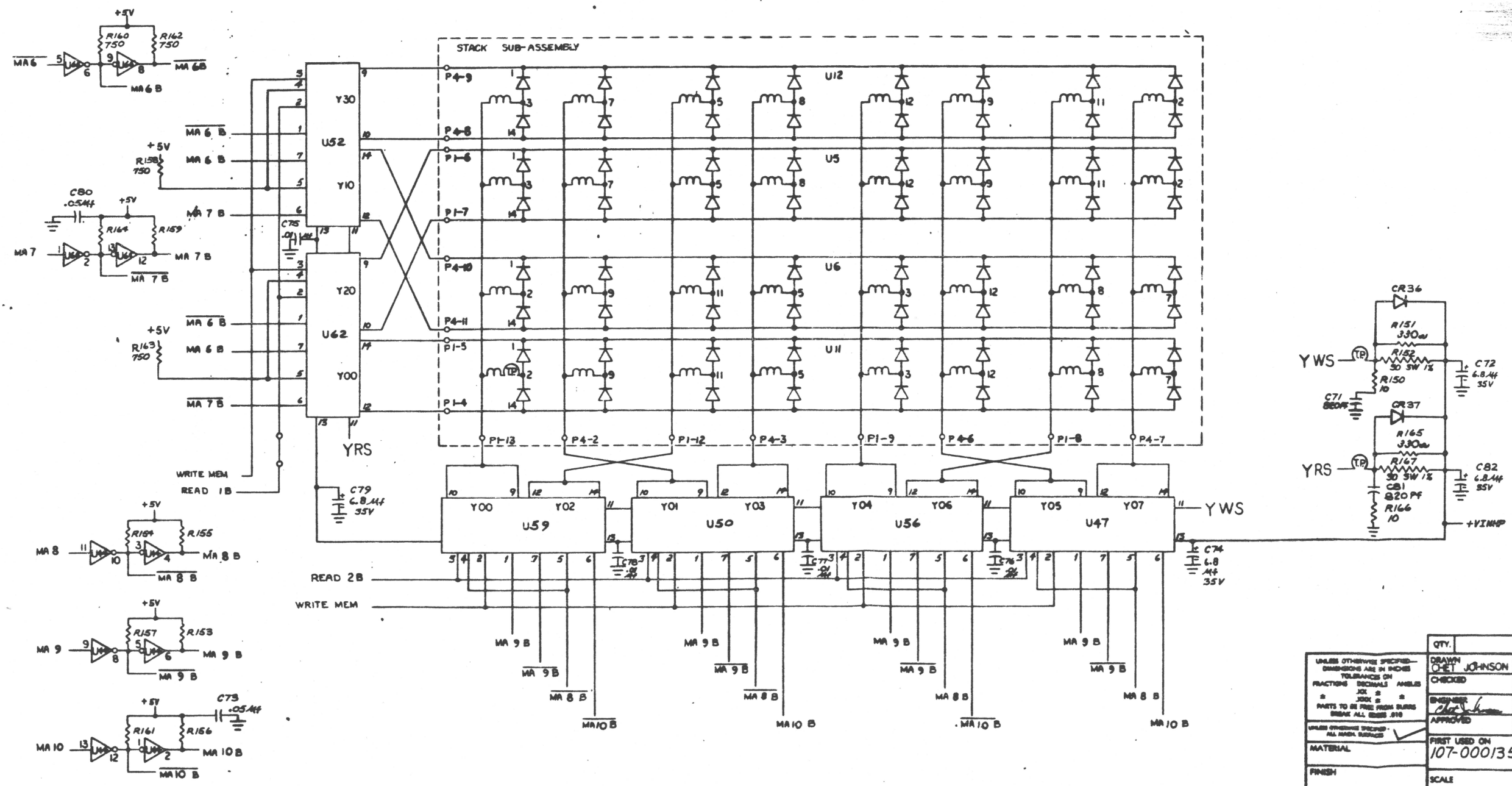
NOTE: ALL CAPACITORS ARE IN MICROFARADS, AND ALL RESISTORS ARE IN OHMS, 1/4 WATT, WITH 5% TOLERANCE UNLESS OTHERWISE SPECIFIED.

QTY.	DESCRIPTION	PART NO.

UNLESS OTHERWISE SPECIFIED—DIMENSIONS ARE IN INCHES FRACTIONS DECIMALS ANGLES X2 ± X10 ± X30 ± X100 ± PARTS TO BE FREE FROM BURRS BREAK ALL EDGES 91°		DRAWN CHET JOHNSON 7/24/70 CHECKED ENGINEER APPROVED	DATA GENERAL CORPORATION SOUTHBORO, MASSACHUSETTS 01772 TITLE 1K MEMORY X DRIVERS
UNLESS OTHERWISE SPECIFIED—ALL MATCH SURFACE		FIRST USED ON 107-000135	SIZE CODE D 001
MATERIAL		SCALE	DRAWING NUMBER 000192
FINISH			REV 05

THIS DRAWING AND SPECIFICATIONS, HEREIN, ARE THE PROPERTY OF DATA GENERAL CORPORATION AND SHALL NOT BE REPRODUCED OR COPIED IN WHOLE OR IN PART AS THE BASIS FOR MANUFACTURE OR SALE OF THIS OR ANY OTHER EQUIPMENT.

REVISIONS				
REV.	DESCRIPTION	DRFTG.	APP. BY	DATE



NOTE:
1. R 151 & 165 ARE NOMINAL VALUES AND MAY BE CHANGED AT TEST LEVEL.

NOTE: ALL CAPACITORS ARE IN MICROFARADS. AND ALL RESISTORS ARE IN OHMS, 1/4 WATT, WITH 5% TOLERANCE UNLESS OTHERWISE SPECIFIED.

QTY.	DESCRIPTION	PART NO.

UNLESS OTHERWISE SPECIFIED—DIMENSIONS ARE IN INCHES FRACTIONS DECIMALS ANGLES JUL 2 2 PARTS TO BE FREE FROM BURRS BREAK ALL EDGES .010		DATA GENERAL CORPORATION SOUTHBORO, MASSACHUSETTS 01772 TITLE 1K MEMORY Y DRIVERS
DRAWN O.E. JOHNSON 7/24/70 CHECKED ENGINEER APPROVED	FIRST USED ON 107-000135	SIZE CODE D 001 DRAWING NUMBER 000192 REV 05