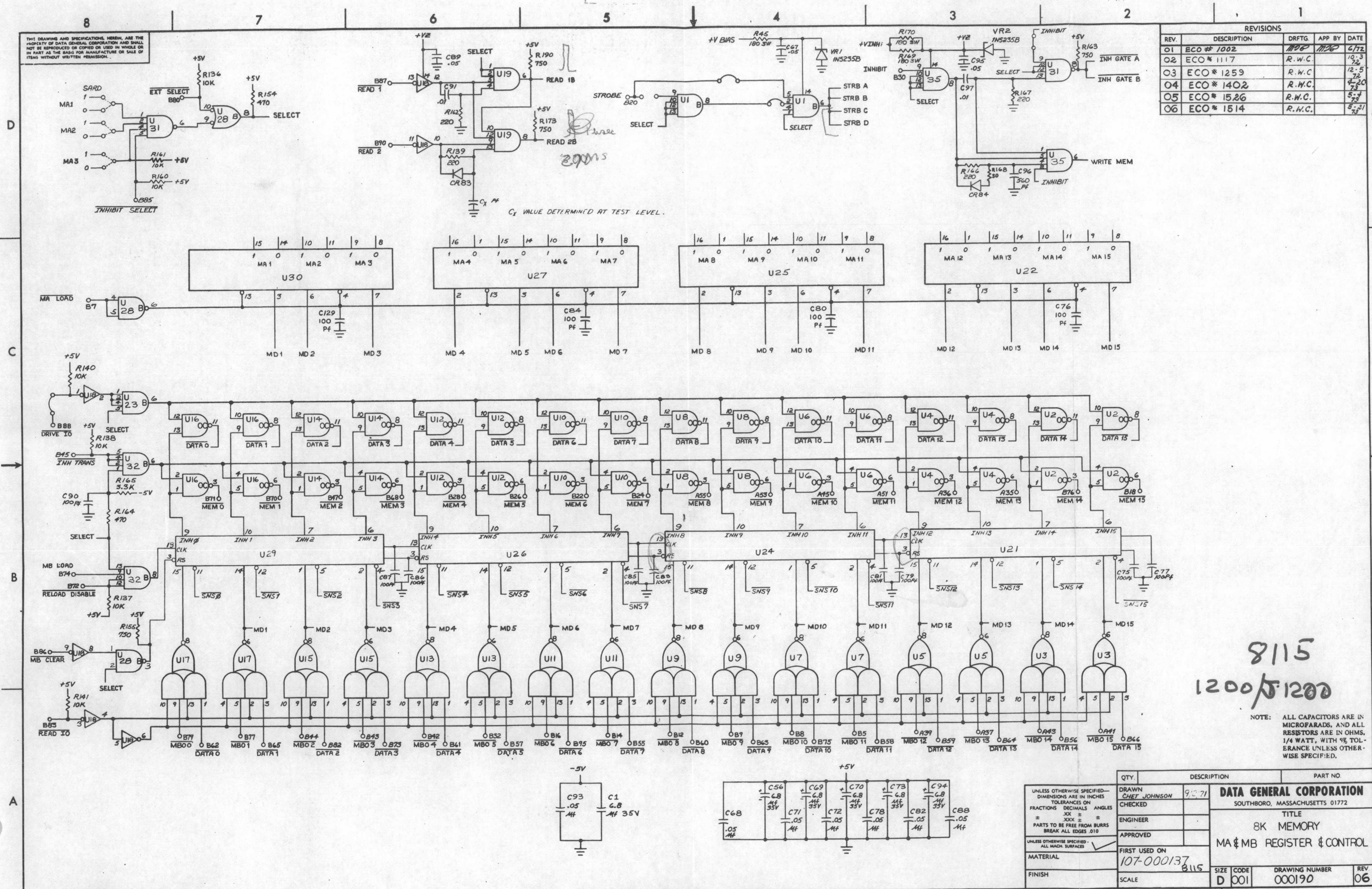


THIS DRAWING AND SPECIFICATIONS, HEREIN, ARE THE PROPERTY OF DATA GENERAL CORPORATION AND SHALL NOT BE REPRODUCED OR COPIED OR USED IN WHOLE OR IN PART AS THE BASIS FOR MANUFACTURE OR SALE OF ITEMS WITHOUT WRITTEN PERMISSION.

REVISIONS				
REV.	DESCRIPTION	DRFTG	APP BY	DATE
01	ECO # 1002	MJC	MJC	6/72
02	ECO # 1117	R.W.C.		10-3-72
03	ECO # 1259	R.W.C.		12-5-72
04	ECO # 1402	R.W.C.		4-20-73
05	ECO # 1526	R.W.C.		5-7-73
06	ECO # 1514	R.W.C.		5-31-73



8115
1200/1200

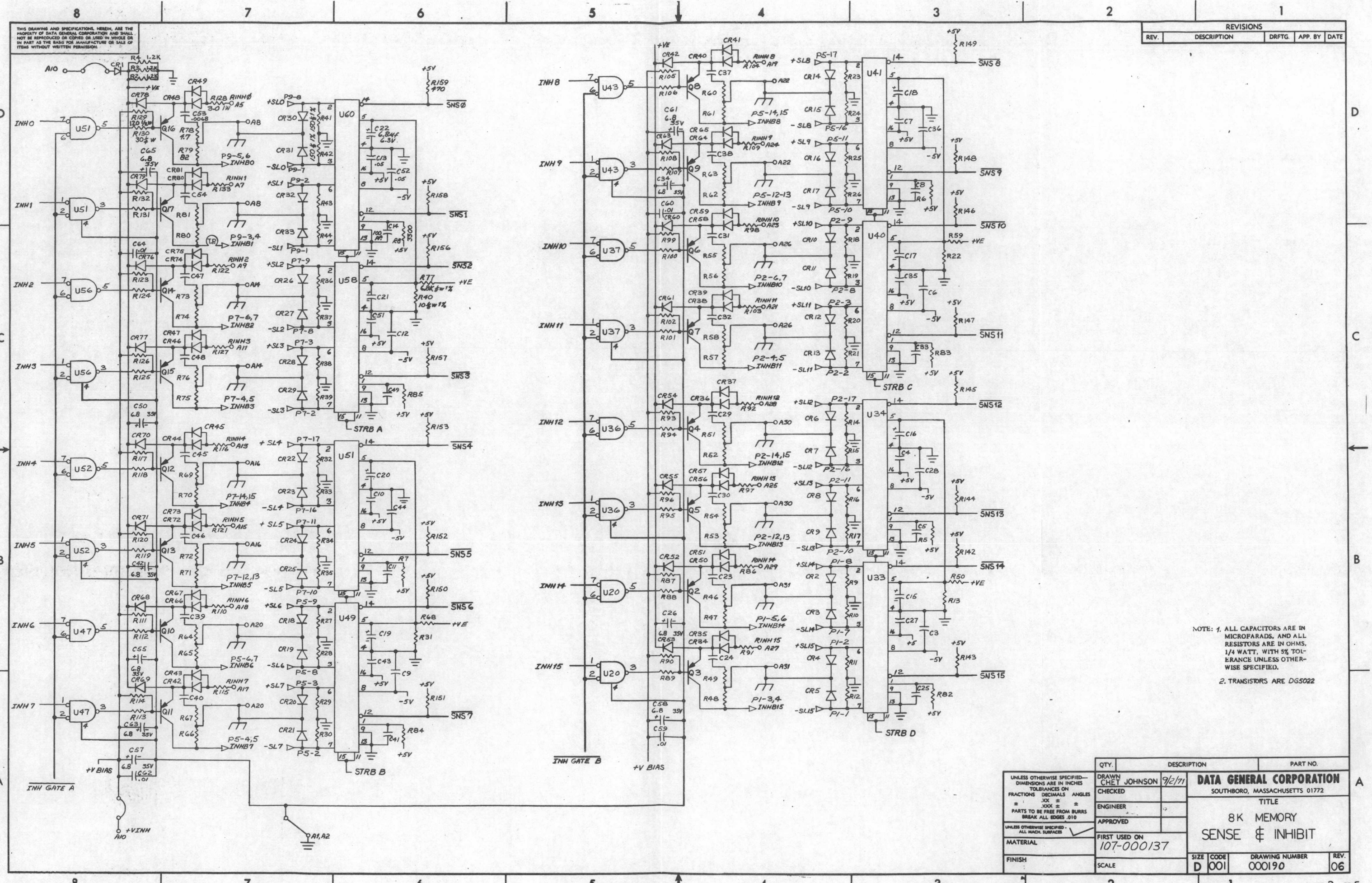
NOTE: ALL CAPACITORS ARE IN MICROFARADS, AND ALL RESISTORS ARE IN OHMS, 1/4 WATT, WITH 5% TOLERANCE UNLESS OTHERWISE SPECIFIED.

QTY.	DESCRIPTION	PART NO.
	DRAWN CHEF JOHNSON	9071
	CHECKED	
	ENGINEER	
	APPROVED	
	FIRST USED ON 107-000137	8115
	MATERIAL	
	FINISH	

DATA GENERAL CORPORATION		
SOUTHBORO, MASSACHUSETTS 01772		
TITLE		
8K MEMORY		
MA & MB REGISTER & CONTROL		
SIZE	CODE	DRAWING NUMBER
D	001	000190
REV		
06		

THIS DRAWING AND SPECIFICATIONS, HEREIN, ARE THE PROPERTY OF DATA GENERAL CORPORATION AND SHALL NOT BE REPRODUCED OR COPIED OR USED IN WHOLE OR IN PART AS THE BASIS FOR MANUFACTURE OR SALE OF ITEMS WITHOUT WRITTEN PERMISSION.

REVISIONS			
REV.	DESCRIPTION	DRFTG.	APP. BY DATE



NOTE: 1. ALL CAPACITORS ARE IN MICROFARADS, AND ALL RESISTORS ARE IN OHMS, 1/4 WATT, WITH 5% TOLERANCE UNLESS OTHERWISE SPECIFIED.
2. TRANSISTORS ARE DG5022

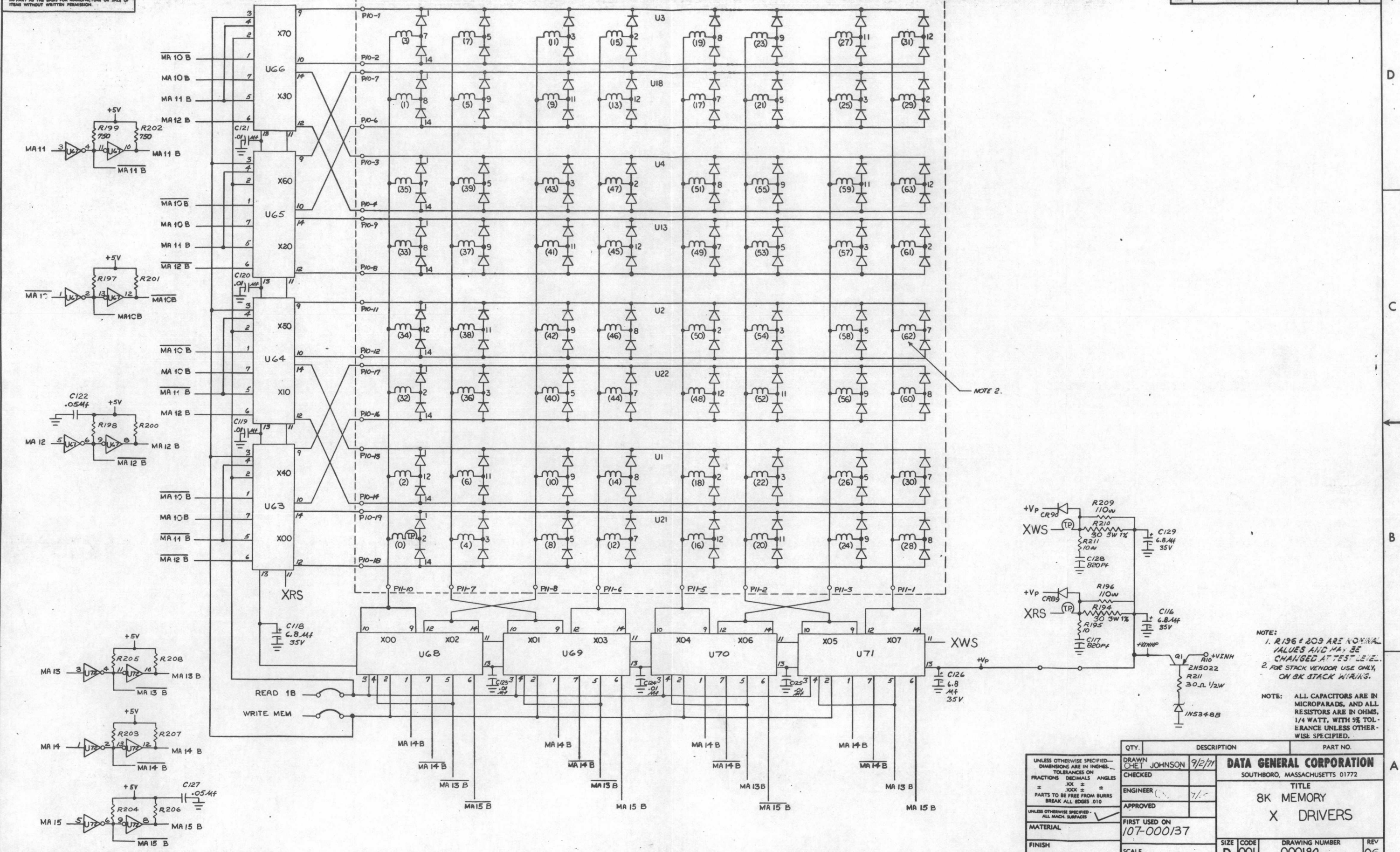
QTY.	DESCRIPTION	PART NO.

UNLESS OTHERWISE SPECIFIED— DIMENSIONS ARE IN INCHES TOLERANCES ON FRACTIONS DECIMALS ANGLES ± .005 ± .010 ± .020 PARTS TO BE FREE FROM BURRS BREAK ALL EDGES .010	DRAWN CHET JOHNSON 9/2/71 CHECKED ENGINEER APPROVED FIRST USED ON 107-000137 MATERIAL FINISH SCALE 	DATA GENERAL CORPORATION SOUTHBORO, MASSACHUSETTS 01772 TITLE 8K MEMORY SENSE & INHIBIT SIZE CODE D 001 DRAWING NUMBER 000190 REV. 06
--	--	--

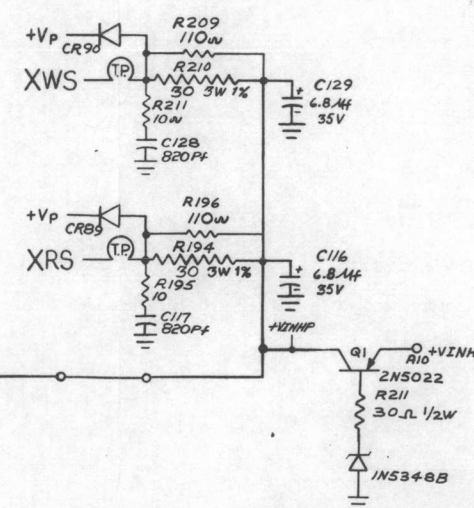
THIS DRAWING AND SPECIFICATIONS, HEREIN, ARE THE PROPERTY OF DATA GENERAL CORPORATION AND SHALL NOT BE REPRODUCED OR COPIED OR USED IN WHOLE OR IN PART AS THE BASIS FOR MANUFACTURE OR SALE OF ITEMS WITHOUT WRITTEN PERMISSION.

REVISIONS			
REV.	DESCRIPTION	DRFTG.	APP. BY DATE

STACK SUB-ASSEMBLY



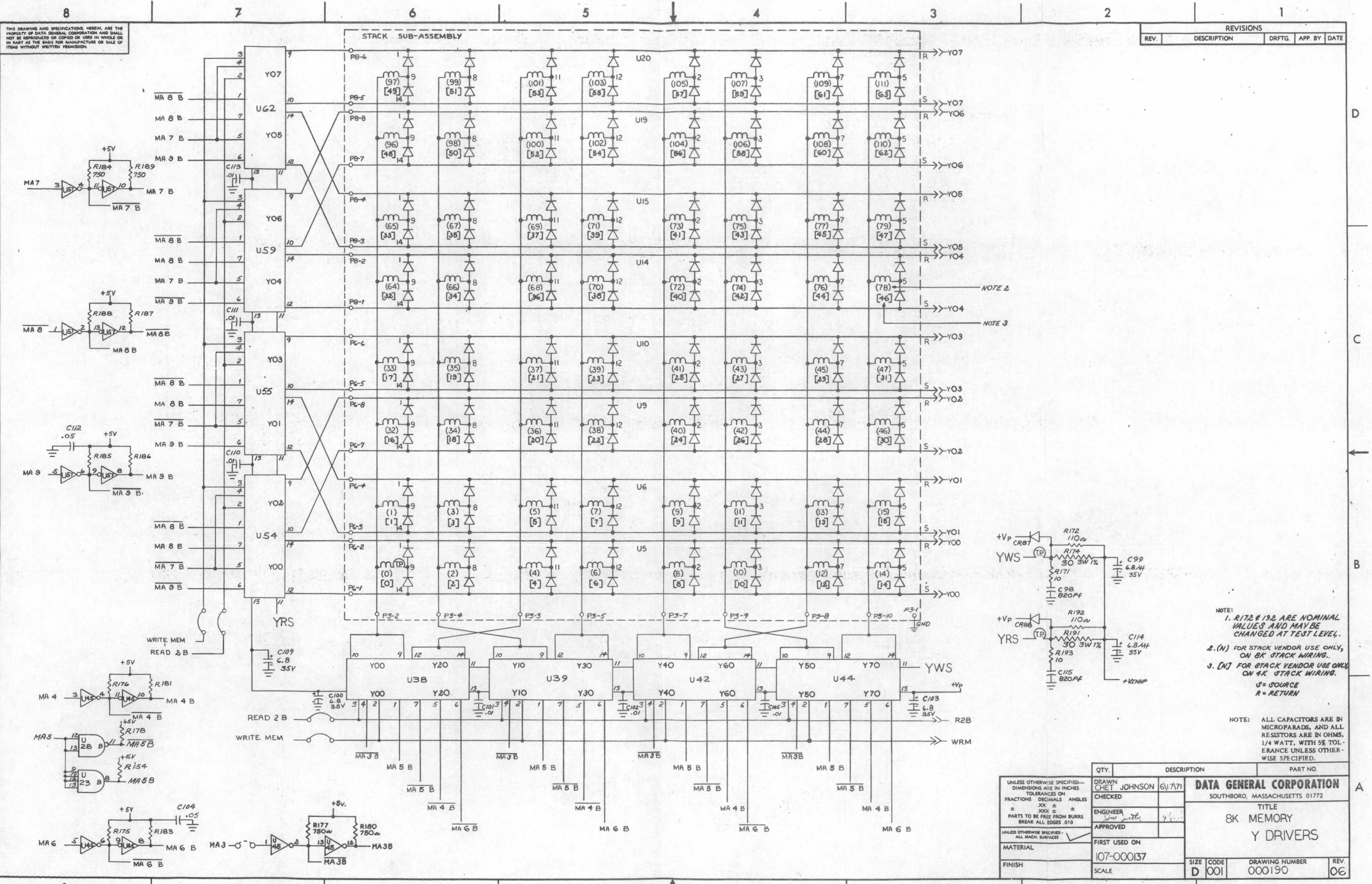
NOTE 2.



- NOTE:
- R196 & 209 ARE NOMINAL VALUES AND MAY BE CHANGED AT TEST LEVEL.
 - FOR STACK VENDOR USE ONLY, ON BK STACK WIRING.
- NOTE: ALL CAPACITORS ARE IN MICROPARADS, AND ALL RESISTORS ARE IN OHMS, 1/4 WATT, WITH 5% TOLERANCE UNLESS OTHERWISE SPECIFIED.

QTY.	DESCRIPTION	PART NO.

UNLESS OTHERWISE SPECIFIED— DIMENSIONS ARE IN INCHES— TOLERANCES ON FRACTIONS DECIMALS ANGLES = .005 .010 .015 PARTS TO BE FREE FROM BURRS BREAK ALL EDGES 010	DRAWN CHET JOHNSON 9/2/71	DATA GENERAL CORPORATION SOUTHBORO, MASSACHUSETTS 01772
UNLESS OTHERWISE SPECIFIED— ALL MACH SURFACES	CHECKED ENGINEER APPROVED	
MATERIAL	FIRST USED ON 107-000137	TITLE 8K MEMORY X DRIVERS
FINISH	SCALE	SIZE CODE D 001
		DRAWING NUMBER 000190
		REV 06

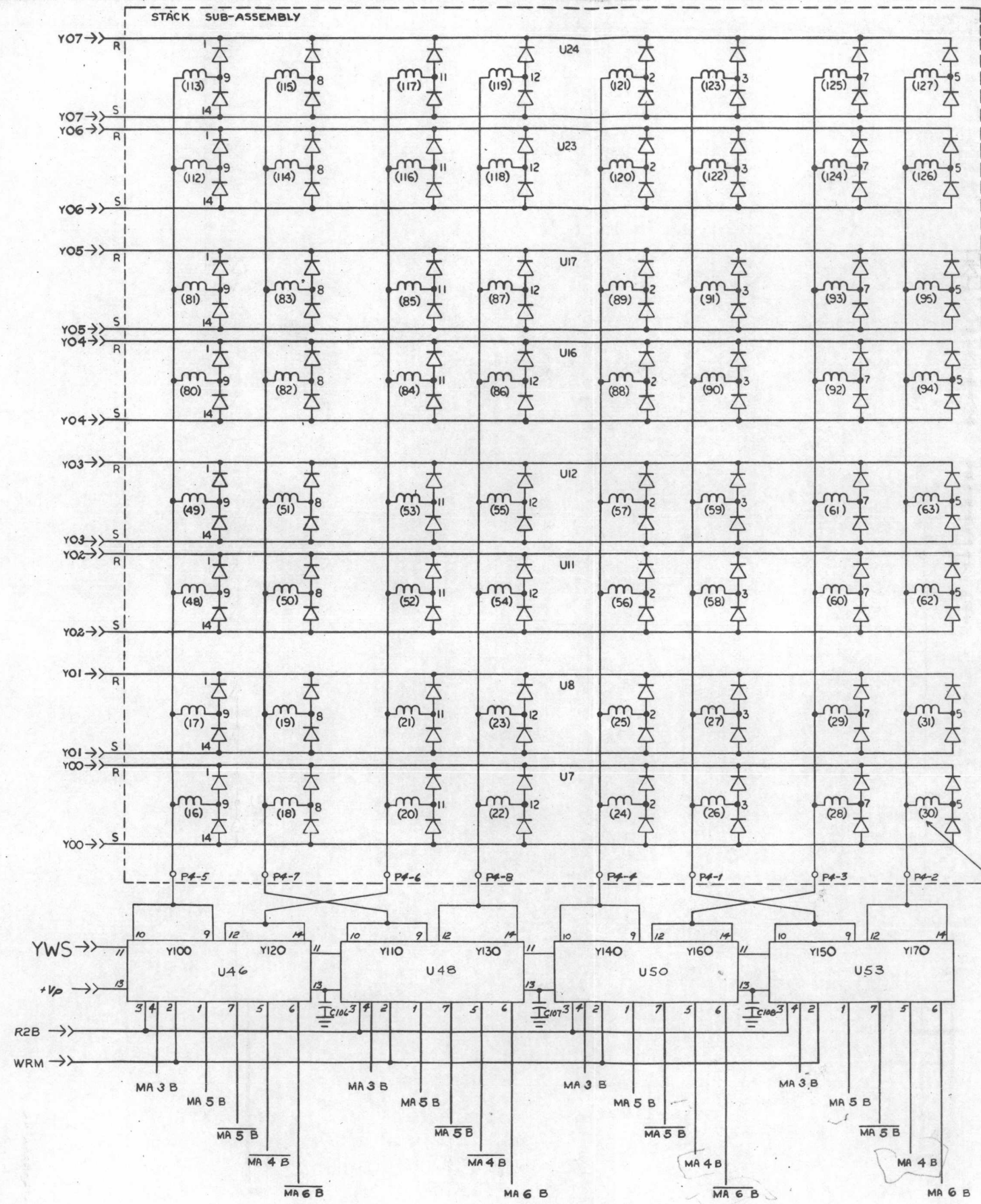


QTY.	DESCRIPTION	PART NO.

UNLESS OTHERWISE SPECIFIED - DIMENSIONS ARE IN INCHES TOLERANCES ON FRACTIONS DECIMALS ANGLES		DRAWN CHET JOHNSON 6/17/71		DATA GENERAL CORPORATION	
PARTS TO BE FREE FROM BURRS BREAK ALL EDGES 010		CHECKED		SOUTHBORO, MASSACHUSETTS 01772	
UNLESS OTHERWISE SPECIFIED - ALL MACH SURFACES		ENGINEER		TITLE	
		APPROVED		8K MEMORY	
MATERIAL		FIRST USED ON		Y DRIVERS	
		107-000137		DRAWING NUMBER	
FINISH		SCALE		000190	
				REV. 06	

THIS DRAWING AND SPECIFICATIONS, HEREIN, ARE THE PROPERTY OF DATA GENERAL CORPORATION AND SHALL NOT BE REPRODUCED OR COPIED OR USED IN WHOLE OR IN PART AS THE BASIS FOR MANUFACTURE OR SALE OF ITEMS WITHOUT WRITTEN PERMISSION.

REVISIONS				
REV.	DESCRIPTION	DRFTG.	APP BY	DATE



NOTE 1

NOTE:-

1. FOR STACK VENDOR USE ONLY, ON BK STACK WIRING.

NOTE: ALL CAPACITORS ARE IN MICROFARADS, AND ALL RESISTORS ARE IN OHMS. 1/4 WATT, WITH 5% TOLERANCE UNLESS OTHERWISE SPECIFIED.

QTY.	DESCRIPTION	PART NO.

UNLESS OTHERWISE SPECIFIED— DIMENSIONS ARE IN INCHES TOLERANCES ON FRACTIONS DECIMALS ANGLES ± .005 ± .010 ± .020 PARTS TO BE FREE FROM BURRS BREAK ALL EDGES .010	DRAWN CHET JOHNSON 9/3/71	DATA GENERAL CORPORATION SOUTHBORO, MASSACHUSETTS 01772 TITLE 8K MEMORY Y DRIVERS
CHECKED		
ENGINEER		
APPROVED		
UNLESS OTHERWISE SPECIFIED— ALL MACH SURFACES	FIRST USED ON 107-000137	SIZE CODE D 001
MATERIAL		DRAWING NUMBER 000190
FINISH		REV 06