

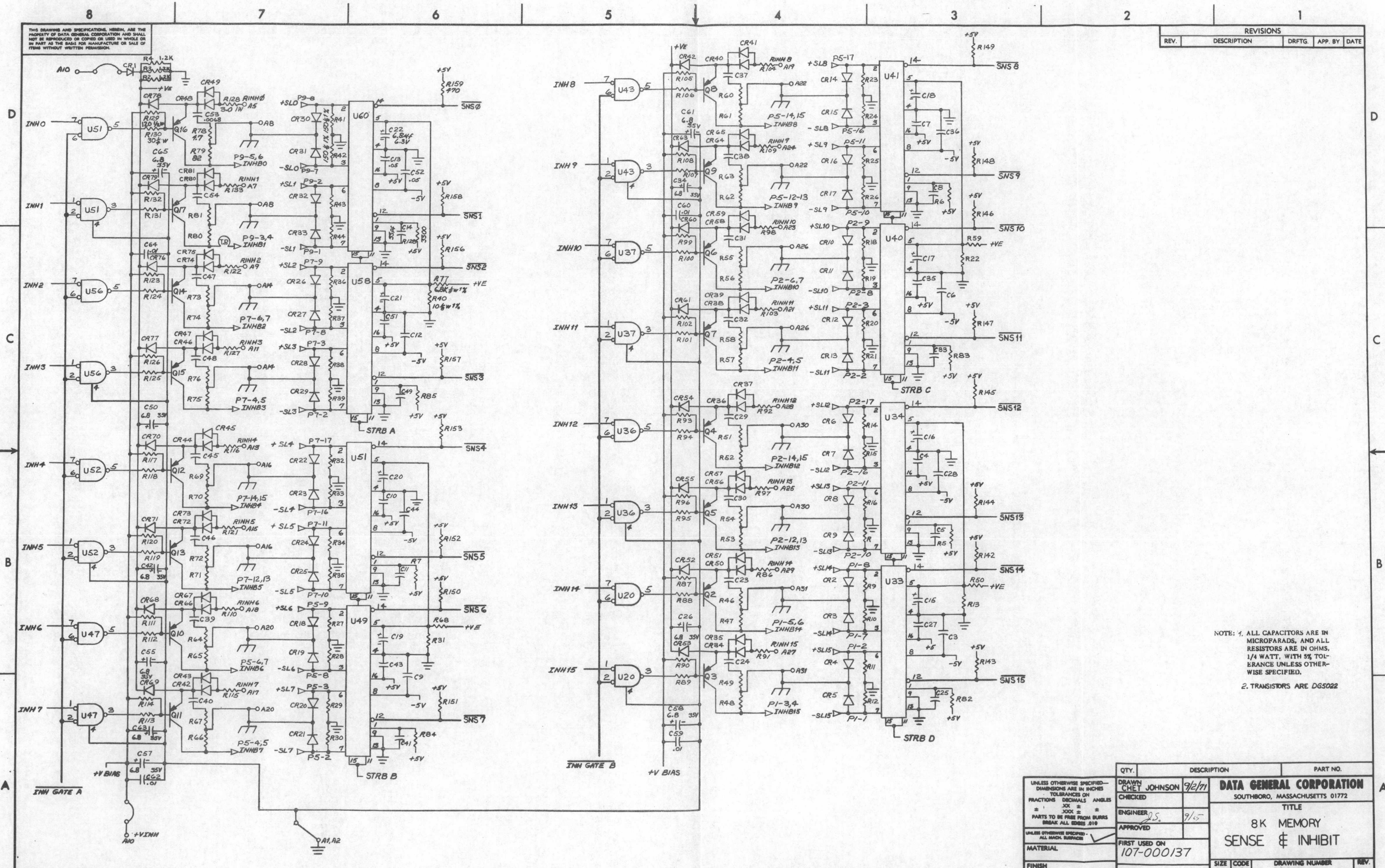
REVISIONS				
REV.	DESCRIPTION	DRFTG.	APP BY	DATE
01	ECO # 1002	M.P.	M.P.	6/72
02	ECO # 1117	R.W.C.		10/72
03	ECO # 1259	R.H.C.		1/73

QTY.	DESCRIPTION	PART NO.
	UNLESS OTHERWISE SPECIFIED - DIMENSIONS ARE IN INCHES TOLERANCES ON FRACTIONS DECIMALS ON ANGLES	
	* PARTS TO BE FREE FROM BURRS BREAK ALL EDGES .010	
	UNLESS OTHERWISE SPECIFIED - ALL MACH. SURFACES	
	MATERIAL	
	FINISH	

DRAWN CHET JOHNSON	9/2/71	DATA GENERAL CORPORATION SOUTHBORO, MASSACHUSETTS 01772
CHECKED		
ENGINEER [Signature]	9/2/71	TITLE 8K MEMORY
APPROVED		MA & MB REGISTER & CONTROL
FIRST USED ON	107-000137	SIZE CODE D 001
SCALE		DRAWING NUMBER 000190
		REV. 03

THIS DRAWING AND SPECIFICATIONS HEREIN, ARE THE PROPERTY OF DATA GENERAL CORPORATION AND SHALL NOT BE REPRODUCED OR COPIED OR USED IN WHOLE OR IN PART AS THE BASIS FOR MANUFACTURE OR SALE OF ITEMS WITHOUT WRITTEN PERMISSION.

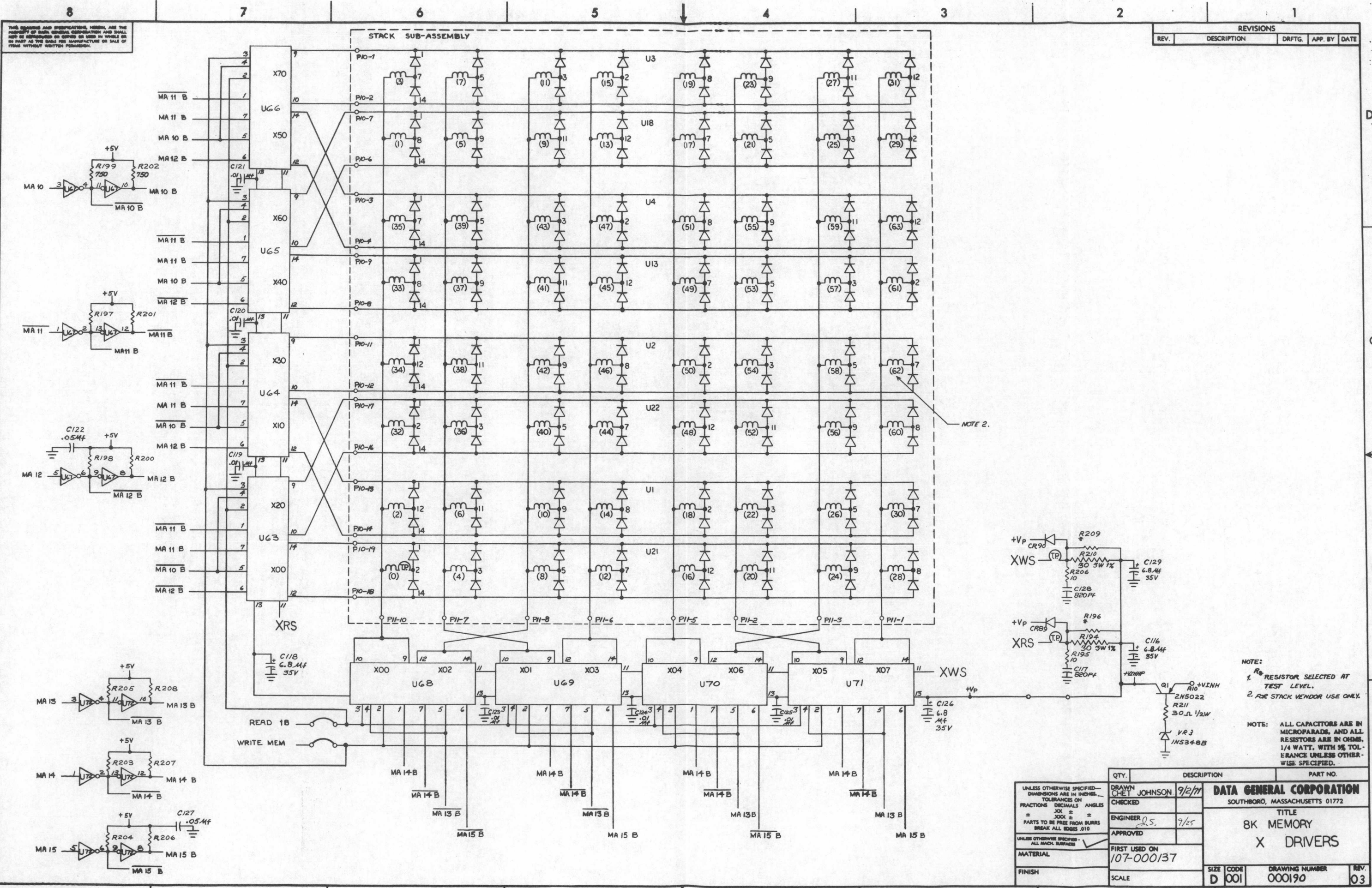
REVISIONS			
REV.	DESCRIPTION	DRFTG.	APP. BY DATE



NOTE: 1. ALL CAPACITORS ARE IN MICROFARADS, AND ALL RESISTORS ARE IN OHMS, 1/4 WATT, WITH 5% TOLERANCE UNLESS OTHERWISE SPECIFIED.
2. TRANSISTORS ARE DG5022

QTY.	DESCRIPTION	PART NO.

UNLESS OTHERWISE SPECIFIED— DIMENSIONS ARE IN INCHES FRACTIONS DECIMALS ANGLES ± .1 ± .001 ± .005 PARTS TO BE FREE FROM BURRS BREAK ALL EDGES .010	DRAWN CHET JOHNSON 9/2/71 CHECKED ENGINEER J.S. 9/1/71 APPROVED FIRST USED ON 107-000137 MATERIAL FINISH SCALE	DATA GENERAL CORPORATION SOUTHBORO, MASSACHUSETTS 01772 TITLE 8K MEMORY SENSE & INHIBIT SIZE CODE D 001 DRAWING NUMBER 000190 REV. 03
--	--	--



THIS DRAWING AND SPECIFICATIONS HEREIN ARE THE PROPERTY OF DATA GENERAL CORPORATION AND SHALL NOT BE REPRODUCED OR COPIED IN WHOLE OR IN PART AS THE BASIS FOR MANUFACTURE OR SALE OF ITEMS WITHOUT WRITTEN PERMISSION.

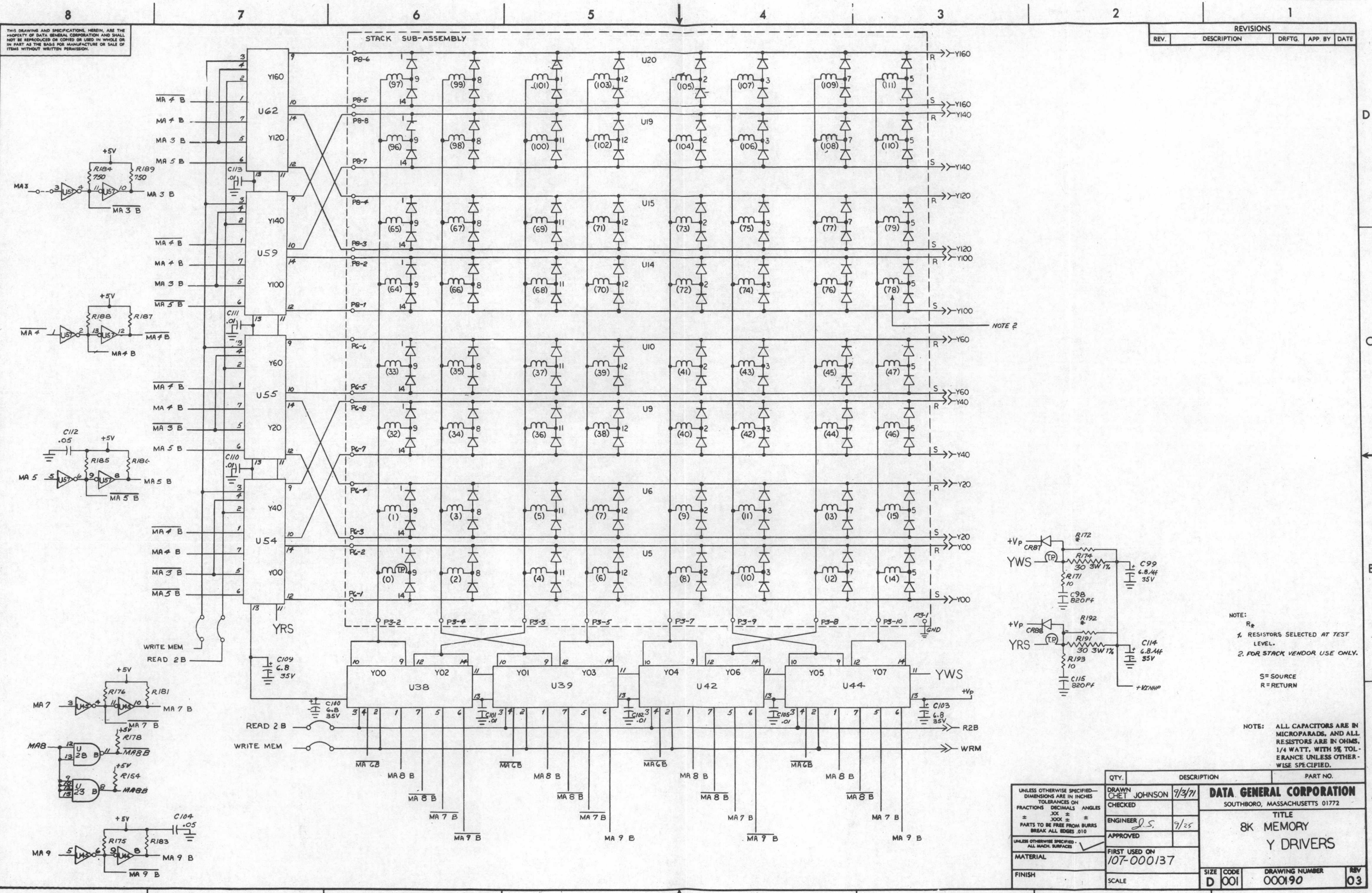
REVISIONS				
REV.	DESCRIPTION	DRFTG.	APP. BY	DATE

NOTE 2.

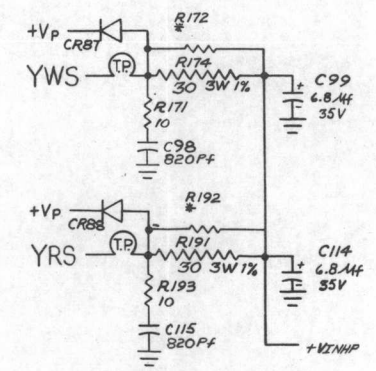
- NOTE:
- RESISTOR SELECTED AT TEST LEVEL.
 - FOR STACK VENDOR USE ONLY.

NOTE: ALL CAPACITORS ARE IN MICROFARADS, AND ALL RESISTORS ARE IN OHMS. 1/4 WATT. WITH 5% TOLERANCE UNLESS OTHERWISE SPECIFIED.

<small>UNLESS OTHERWISE SPECIFIED - DIMENSIONS ARE IN INCHES. TOLERANCES ON FRACTIONS DECIMALS ANGLES</small> <small>± JOX ±</small> <small>PARTS TO BE FREE FROM BURRS BREAK ALL EDGES .010</small>	QTY.	DESCRIPTION	PART NO.
	CHECKED		
	ENGINEER		
	APPROVED		
<small>UNLESS OTHERWISE SPECIFIED - ALL MACH. SURFACES</small>	FIRST USED ON		
	SCALE		
DATA GENERAL CORPORATION SOUTHBORO, MASSACHUSETTS 01772		TITLE 8K MEMORY X DRIVERS	
SIZE	CODE	DRAWING NUMBER	REV.
D	001	000190	03



REVISIONS				
REV.	DESCRIPTION	DRFTG.	APP. BY	DATE



NOTE:
 R*
 1. RESISTORS SELECTED AT TEST LEVEL.
 2. FOR STACK VENDOR USE ONLY.

S = SOURCE
 R = RETURN

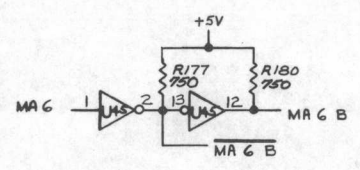
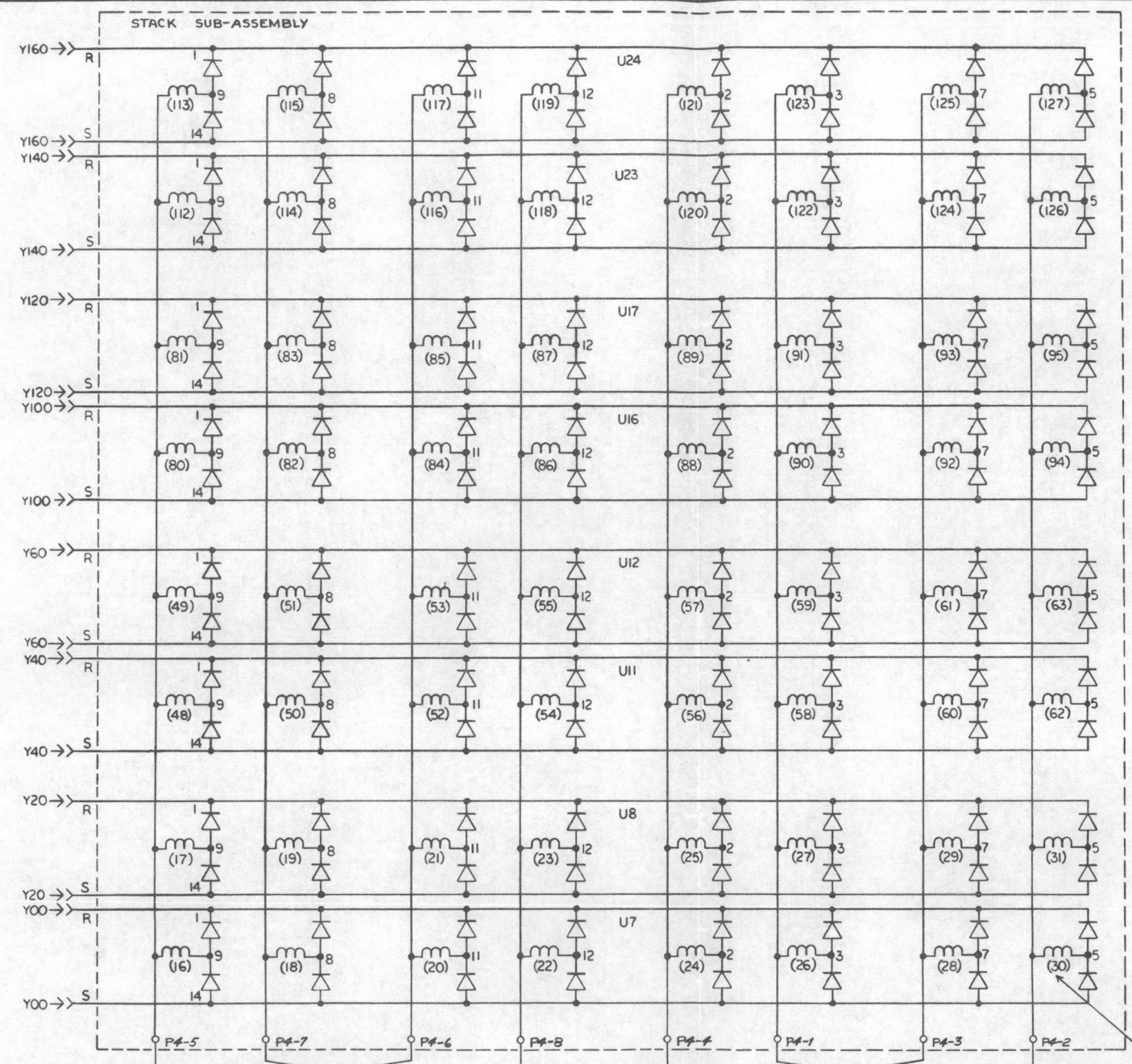
NOTE: ALL CAPACITORS ARE IN MICROFARADS, AND ALL RESISTORS ARE IN OHMS, 1/4 WATT, WITH 5% TOLERANCE UNLESS OTHERWISE SPECIFIED.

QTY.	DESCRIPTION	PART NO.

UNLESS OTHERWISE SPECIFIED— DIMENSIONS ARE IN INCHES FRACTIONS DECIMALS ANGLES XOX ± PARTS TO BE FREE FROM BURRS BREAK ALL EDGES .010	DRAWN CHET JOHNSON 9/3/71	DATA GENERAL CORPORATION SOUTHBORO, MASSACHUSETTS 01772 TITLE 8K MEMORY Y DRIVERS
UNLESS OTHERWISE SPECIFIED— ALL MACH. SURFACES	ENGINEER J.S. 9/25	
MATERIAL	APPROVED	SIZE CODE D 001
FINISH	FIRST USED ON 107-000137	DRAWING NUMBER 000190
	SCALE	REV 03

THIS DRAWING AND SPECIFICATIONS HEREIN, ARE THE PROPERTY OF DATA GENERAL CORPORATION AND SHALL NOT BE REPRODUCED OR COPIED OR USED IN WHOLE OR IN PART AS THE BASIS FOR MANUFACTURE OR SALE OF ITEMS WITHOUT WRITTEN PERMISSION.

REVISIONS				
REV.	DESCRIPTION	DRFTG.	APP. BY	DATE



NOTE:-
1. FOR STACK VENDOR USE ONLY.

NOTE: ALL CAPACITORS ARE IN MICROPARADS, AND ALL RESISTORS ARE IN OHMS, 1/4 WATT, WITH 5% TOLERANCE UNLESS OTHERWISE SPECIFIED.

QTY.	DESCRIPTION	PART NO.

UNLESS OTHERWISE SPECIFIED— DIMENSIONS ARE IN INCHES TOLERANCES ON FRACTIONS DECIMALS ANGLES XX ± X ± PARTS TO BE FREE FROM BURRS BREAK ALL EDGES .010	DRAWN CHET JOHNSON 9/3/71	DATA GENERAL CORPORATION SOUTHBORO, MASSACHUSETTS 01772 TITLE 8K MEMORY Y DRIVERS
UNLESS OTHERWISE SPECIFIED— ALL MACH. SURFACES	CHECKED 	
MATERIAL	ENGINEER J.S. 9/25	
FINISH	APPROVED 	
	FIRST USED ON 107-000137	
	SCALE 	
	SIZE CODE D 001	DRAWING NUMBER 000190
		REV 03