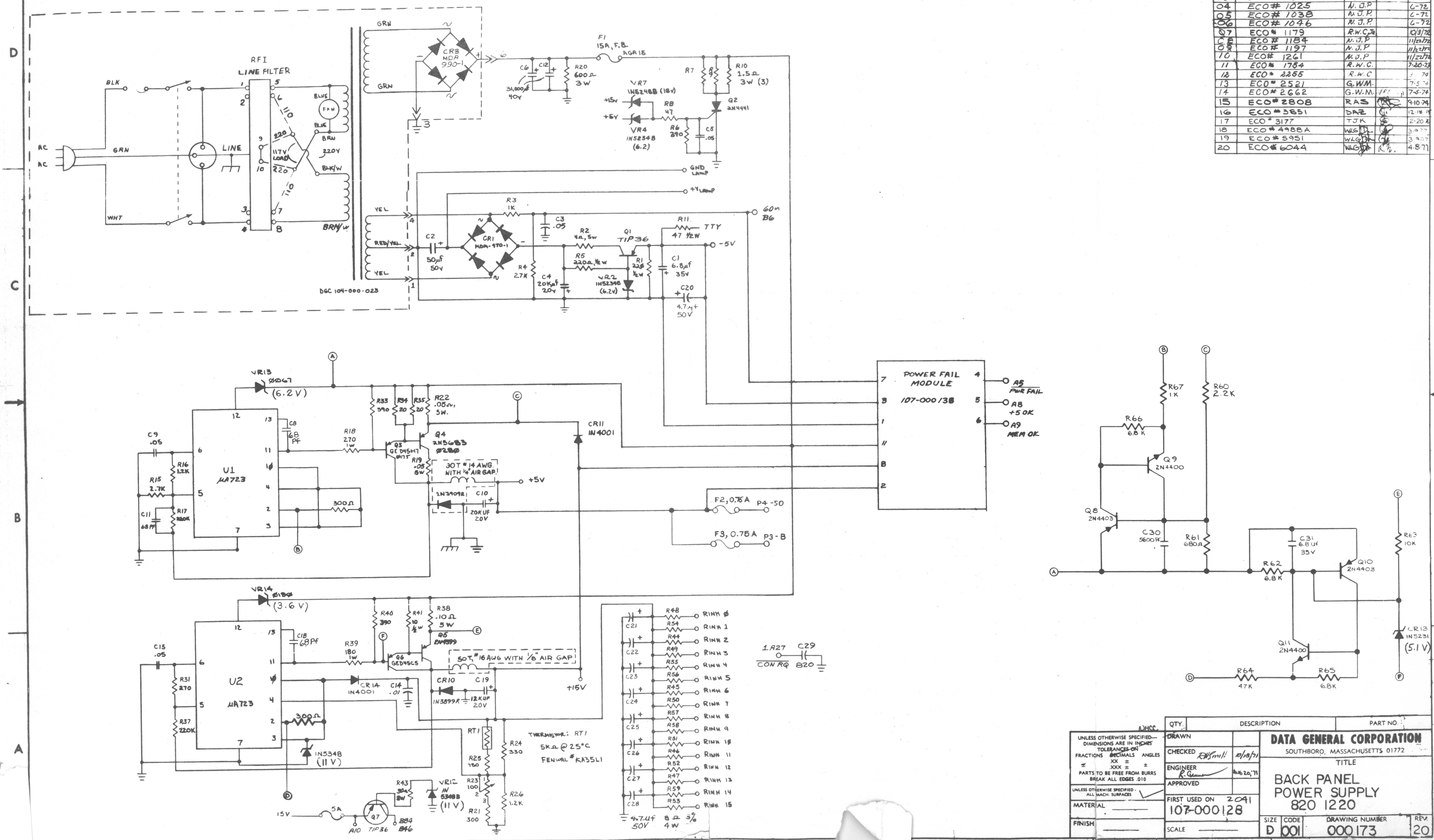


THIS DRAWING AND SPECIFICATIONS HEREIN ARE THE PROPERTY OF DATA GENERAL CORPORATION AND SHALL NOT BE REPRODUCED OR COPIED OR USED IN WHOLE OR IN PART AS THE BASIS FOR MANUFACTURE OR SALE OF ITEMS WITHOUT WRITTEN PERMISSION.

REVISIONS			
REV	DESCRIPTION	DRFTG	APP BY DATE
01	REV PER MKD PRINT	RHS	1/24/74
02	ECO # 829 848	RNK	2/11/74
03	ECO # 975	RNF	4-11-74
04	ECO # 1025	N.J.P.	6-17-74
05	ECO # 1038	N.J.P.	6-17-74
06	ECO # 1046	N.J.P.	6-17-74
07	ECO # 1179	R.W.C.	10/9/74
08	ECO # 1184	N.J.P.	11/12/74
09	ECO # 1197	N.J.P.	11/12/74
10	ECO # 1261	N.J.P.	11/20/74
11	ECO # 1784	R.W.C.	7-20-74
12	ECO # 2255	R.W.C.	7-29-74
13	ECO # 2521	G.W.M.	7-5-74
14	ECO # 2662	G.W.M.	7-5-74
15	ECO # 2808	RAS	9-10-74
16	ECO # 3851	DAZ	12-18-74
17	ECO # 3177	TJK	2-20-75
18	ECO # 4988A	WLS	3-9-77
19	ECO # 5951	WLG	3-9-77
20	ECO # 6044	WLG	4-8-77



UNLESS OTHERWISE SPECIFIED - DIMENSIONS ARE IN INCHES FRACTIONS DECIMALS ANGLES XX ± .XX ± .01 PARTS TO BE FREE FROM BURRS BREAK ALL EDGES .010	DRAWN	DATE	DATA GENERAL CORPORATION SOUTHBORO, MASSACHUSETTS 01772
	CHECKED	10/10/71	
UNLESS OTHERWISE SPECIFIED - ALL MACH SURFACES	ENGINEER	DATE	TITLE BACK PANEL POWER SUPPLY 820 1220
	APPROVED	10/26/71	
MATERIAL	FIRST USED ON	DATE	DRAWING NUMBER
FINISH	107-000/28	2071	000173
SCALE	D	001	REV. 20