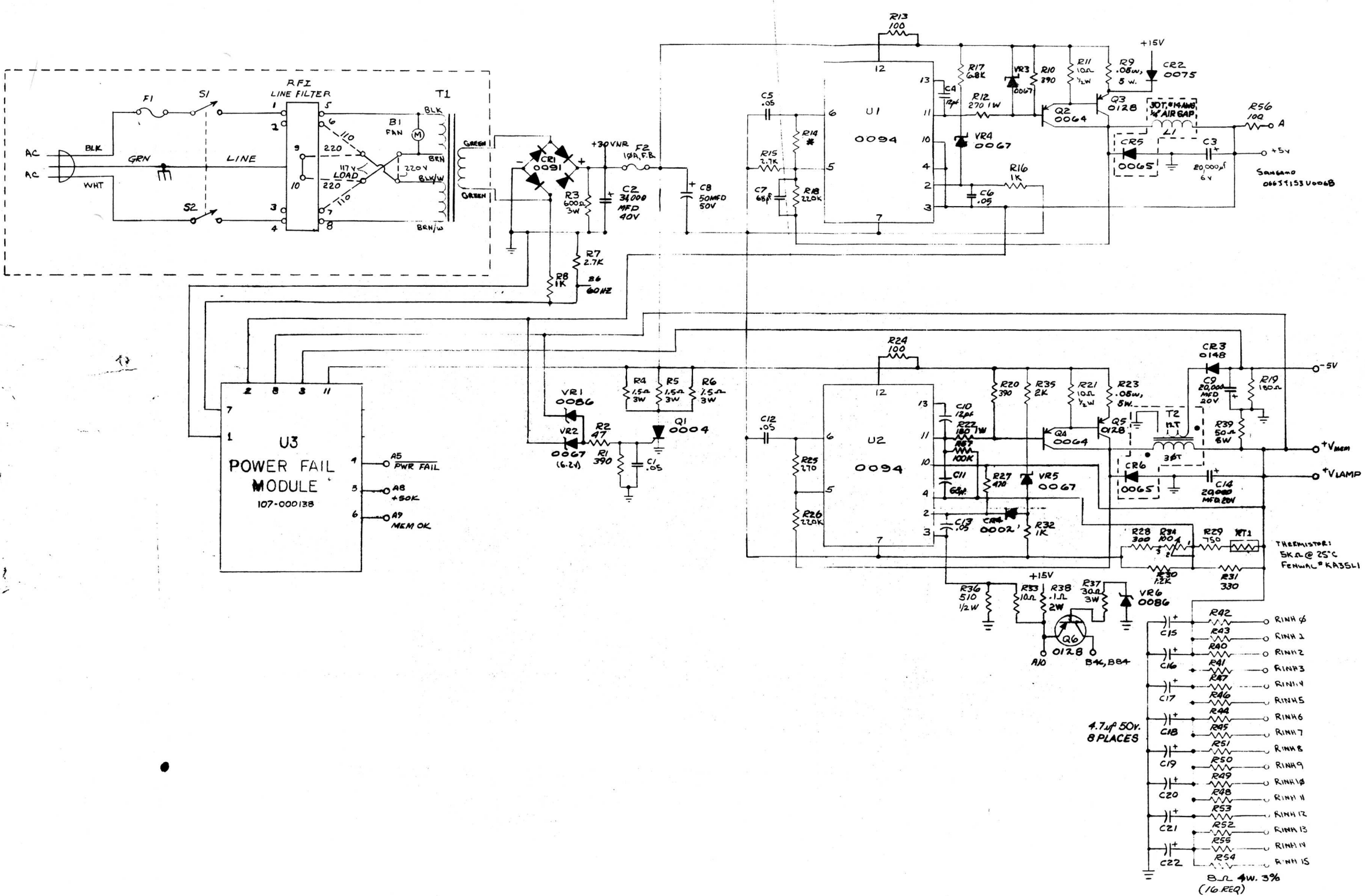


THIS DRAWING AND SPECIFICATIONS, HEREIN, ARE THE PROPERTY OF DATA GENERAL CORPORATION AND SHALL NOT BE REPRODUCED OR COPIED OR USED IN WHOLE OR IN PART AS THE BASIS FOR MANUFACTURE OR SALE OF ITEMS WITHOUT WRITTEN PERMISSION.

REVISIONS				
REV.	DESCRIPTION	DRFTG	APP BY	DATE
01	REV PER MKD PRINT	RMS		1/28/72
02	REV PER ECO # 809	RMS		1-2-72
03	REV PER ECO # 829	RMS		3-17-72
04	ECO # 1052 CHANGE OF VALUE 0.05W 8 PLACES TO 0.1W 8 PLACES	R.W.C.		10-16-72
05	ECO # 1157 CHANGE OF VALUE 5W 3W 3% (1/6 REQ) TO 5W 3W 3% (1/6 REQ)	R.W.C.		10-16-72
06	ECO # 1478	R.W.C.		3-21-73
07	ECO # 1556	R.W.C.		10-16-72
08	ECO # 1943	R.W.C.		10-16-72
09	ECO # 2198	R.W.C.		1-17-73
10	ECO # 2211	R.W.C.		1-17-73
11	ECO # 2363	R.W.C.		1-17-73
12	ECO # 2521	G.W.M.		7-24-73
13	ECO # 2876	R.F.S.		12-16-73
14	ECO # 3849	R.F.S.		11/75



NOTES:
1. * RESISTOR VALUES SELECTED AT TEST.

NMC		QTY.	DESCRIPTION	PART NO.
UNLESS OTHERWISE SPECIFIED— DIMENSIONS ARE IN INCHES TOLERANCES ON FRACTIONS DECIMALS ANGLES ± .005 ± .010 ± .015 PARTS TO BE FREE FROM BURRS BREAK ALL EDGES .010	DRAWN R. SMITH			
CHECKED	ENGINEER R. GEUNER			
APPROVED	FIRST USED ON 1210			
MATERIAL	107-000109			
FINISH	SCALE			
DATA GENERAL CORPORATION SOUTH BORO, MASSACHUSETTS 01772		TITLE BACK PNL 1210 POWER SUPPLY		
SIZE CODE D 001	DRAWING NUMBER 000172	RF 14		