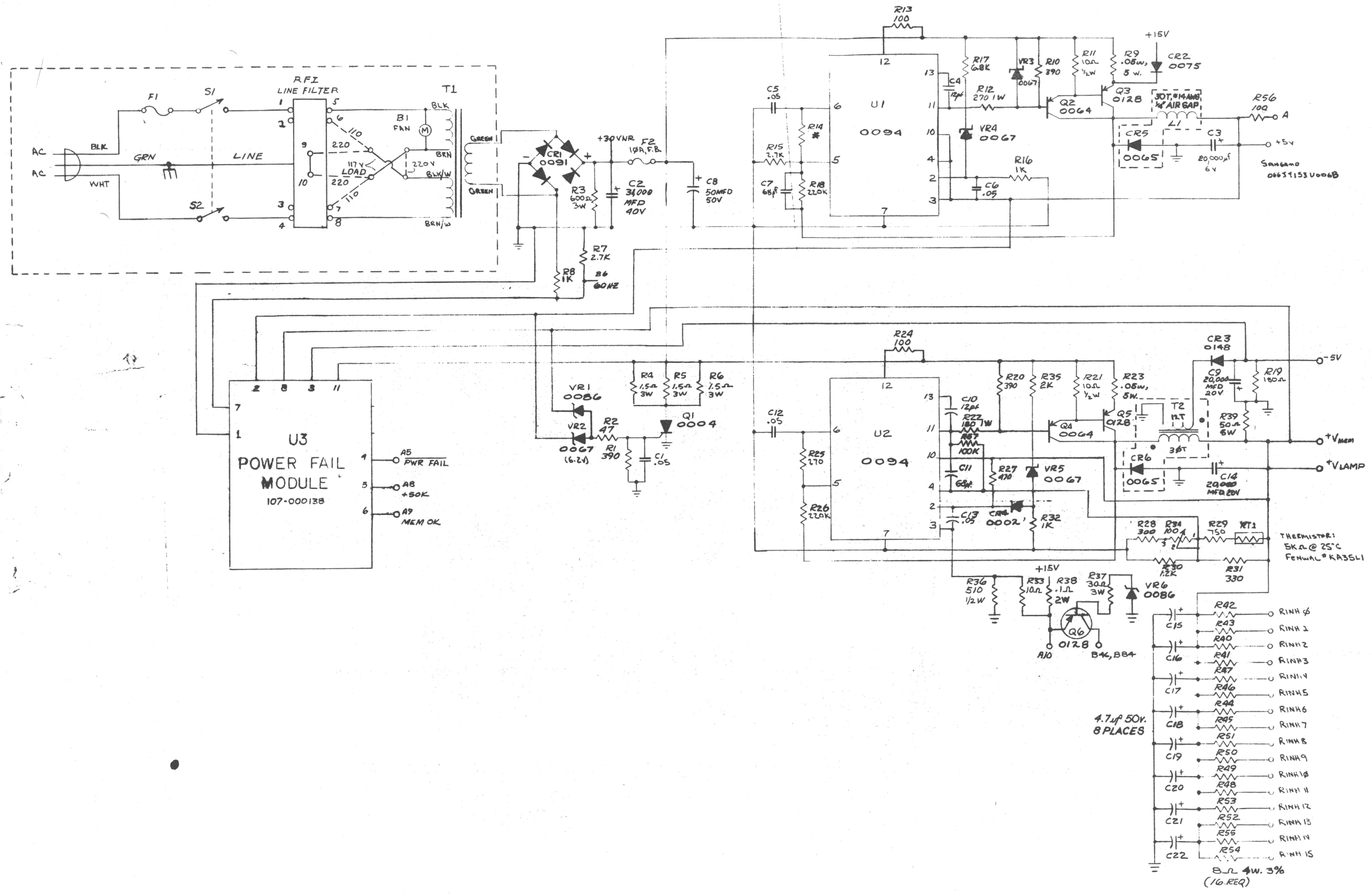


THIS DRAWING AND SPECIFICATIONS HEREIN ARE THE PROPERTY OF DATA GENERAL CORPORATION AND SHALL NOT BE REPRODUCED OR COPIED OR USED IN WHOLE OR IN PART AS THE BASIS FOR MANUFACTURE OR SALE OF ITEMS WITHOUT WRITTEN PERMISSION.

REVISIONS				
REV.	DESCRIPTION	DRFTG	APP BY	DATE
01	REV PER MKD PRINT	RMS		11/24/71
02	REV PER ECO # 809	RMS		1-24-72
03	REV PER ECO # 829	RMS		3-17-72
04	ECO # 1052 CHANGE OF VALUE 8.2 PLACES TO 8.2K	R.W.C.		10-16-72
05	ECO # 1157 CHANGE OF VALUE 8.2 SW. 3% (1/6 REQ) TO 8.2 SW. 3% (1/6 REQ)	R.W.C.		10-16-72
06	ECO # 1478	R.W.C.		9-21-73
07	ECO # 1556	R.W.C.		10-16-73
08	ECO # 1943	R.W.C.		10-16-73
09	ECO # 2199	R.W.C.		1-17-74
10	ECO # 2211	R.W.C.		1-17-74
11	ECO # 2363	R.W.C.		4-10-74
12	ECO # 2521	G.W.M.		7-24-74
13	ECO # 2876	R.F.		12-16-74
14	ECO # 3849	R.F.		11/75



NOTES:
1. RESISTOR VALUES SELECTED AT TEST.

QTY.		DESCRIPTION	PART NO
DRAWN		R. SMITH	
CHECKED			
ENGINEER		R. GEUNER	
APPROVED			
FIRST USED ON		1210	
MATERIAL		107-000109	
FINISH			
SCALE			

DATA GENERAL CORPORATION			
SOUTHBORO, MASSACHUSETTS 01772			
TITLE			
BACK PNL 1210			
POWER SUPPLY			
SIZE	CODE	DRAWING NUMBER	RF
D	001	000172	14