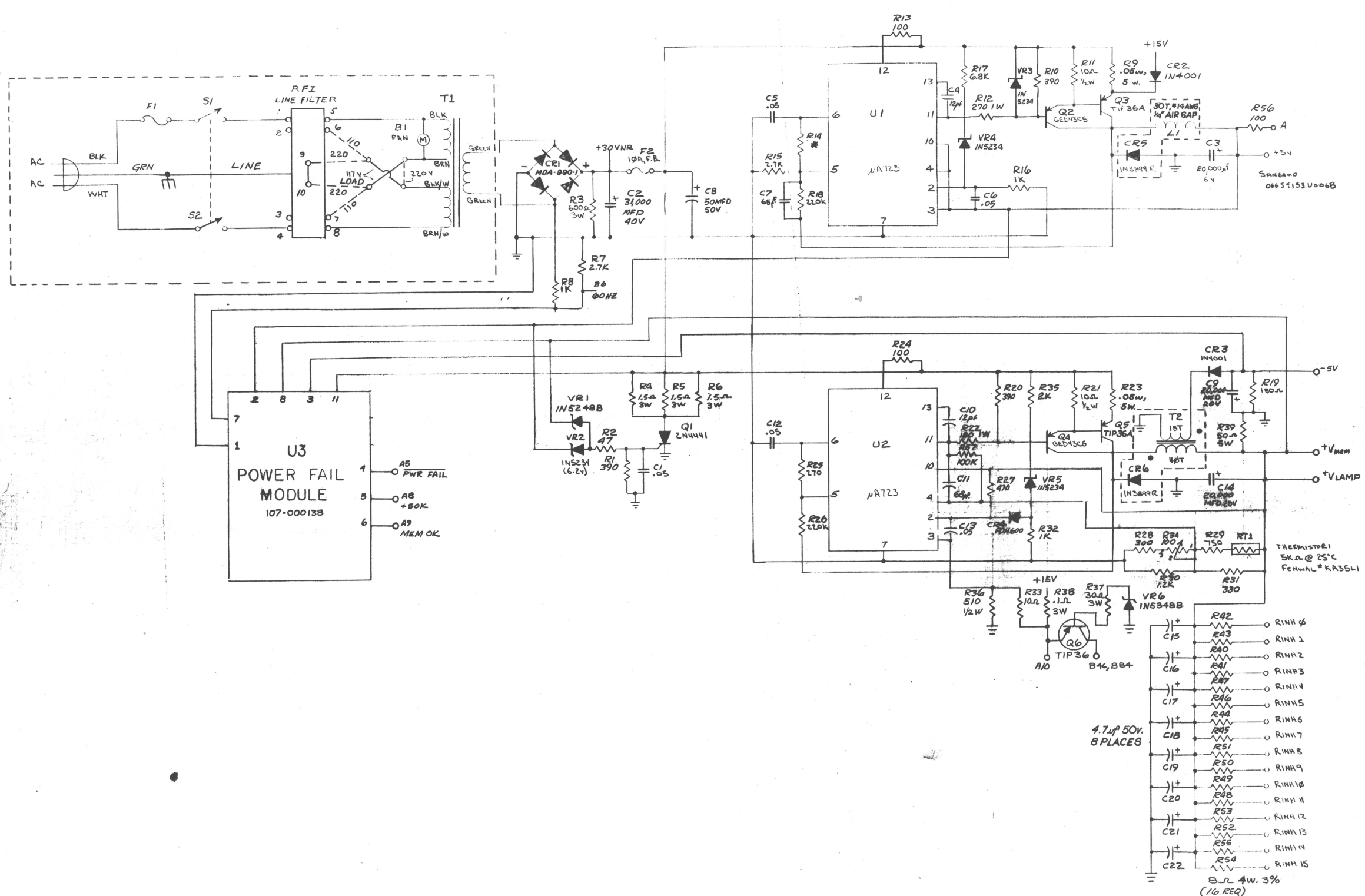


THIS DRAWING AND SPECIFICATIONS, HEREIN, ARE THE PROPERTY OF DATA GENERAL CORPORATION AND SHALL NOT BE REPRODUCED OR COPIED OR USED IN WHOLE OR IN PART AS THE BASIS FOR MANUFACTURE OR SALE OF ITEMS WITHOUT WRITTEN PERMISSION.

| REVISIONS |   |        |         |          |
|-----------|---|--------|---------|----------|
| REV.      | DESCRIPTION   | DRFTG. | APP. BY | DATE     |
| 01        | REV PER MKD PRINT   | RHS    |         | 1/29/71  |
| 02        | REV PER ECO # 809   | RHS    |         | 1-24-72  |
| 03        | REV PER ECO # 829   | WDO    |         | 3-17-72  |
| 04        | ECO # 1052 CHANGE OF VALUE 6.8 $\mu$ F 8 PLACES TO 4.7 $\mu$ F 50V 8 PLACES | R.W.C. |         | 10-16-72 |
| 05        | ECO # 1197 CHANGE OF VALUE 8 $\mu$ W 3% (16 REQ) TO 8 $\mu$ W 3% (16 REQ)   | R.W.C. |         | 10-16-72 |
| 06        | ECO # 1478  | R.W.C. |         | 3-21-73  |
| 07        | ECO # 1556  | R.W.C. |         | 10-16-73 |
| 08        | ECO # 1943  | R.W.C. |         | 10-16-73 |
| 09        | ECO # 2198  | R.W.C. |         | 1-17-74  |
| 10        | ECO # 2211  | R.W.C. |         | 4-18-74  |
| 11        | ECO # 2363  | R.W.C. |         | 7-17-74  |
| 12        | ECO # 2521  | G.W.M. |         | 7-27-74  |



NOTES:  
1. \* RESISTOR VALUES SELECTED AT TEST 750

| NMC   |                    | QTY. | DESCRIPTION | PART NO.       |
|---|--------------------|------|-------------|----------------|
| UNLESS OTHERWISE SPECIFIED—DIMENSIONS ARE IN INCHES | DRAWN R. SMITH     |      |             |                |
| TOLERANCES ON FRACTIONS DECIMALS ANGLES             | CHECKED            |      |             |                |
| XX ± ±  | ENGINEER R. GEUNER |      |             |                |
| ± .XXX ± ±  | APPROVED           |      |             |                |
| PARTS TO BE FREE FROM BURRS BREAK ALL EDGES .010    | FIRST USED ON 1210 |      |             |                |
| UNLESS OTHERWISE SPECIFIED—ALL MACH. SURFACES       | 107-000109         |      |             |                |
| MATERIAL  | SCALE              |      |             |                |
| FINISH  |                    |      |             |                |
|   |                    | SIZE | CODE        | DRAWING NUMBER |
|   |                    | D    | 001         | 000172         |
|   |                    | REV. |             | 12             |

**DATA GENERAL CORPORATION**  
SOUTHBORO, MASSACHUSETTS 01772  
TITLE  
BACK PNL 1210  
POWER SUPPLY