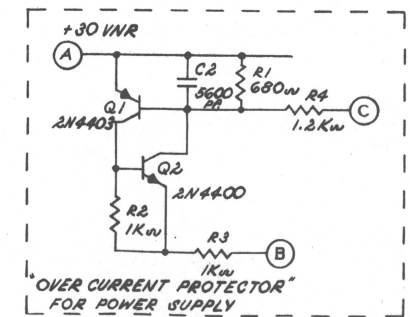
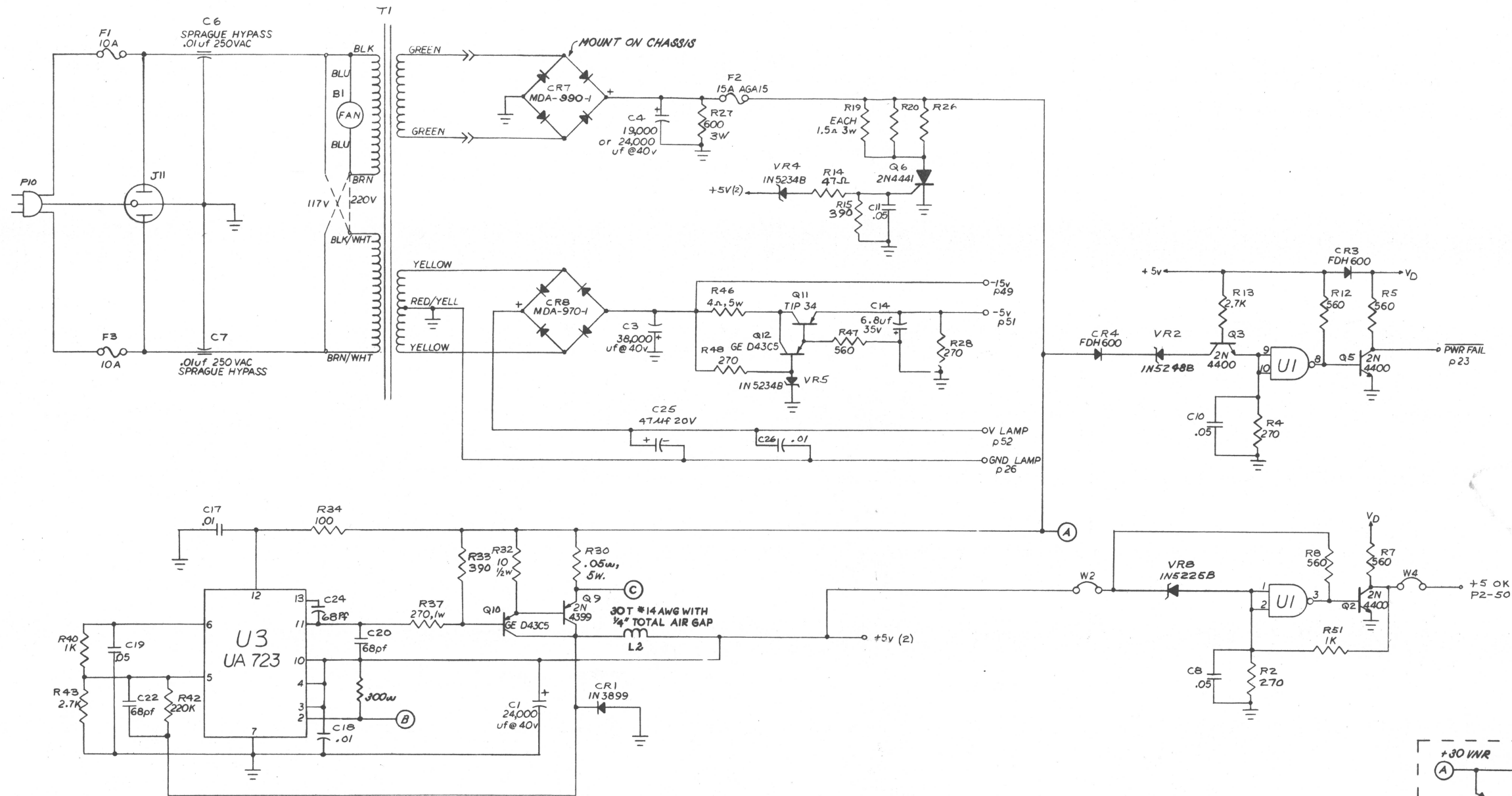


THIS DRAWING AND SPECIFICATIONS, HEREIN, ARE THE PROPERTY OF DATA GENERAL CORPORATION AND SHALL NOT BE REPRODUCED OR COPIED OR USED IN WHOLE OR IN PART AS THE BASIS FOR MANUFACTURE OR SALE OF ITEMS WITHOUT WRITTEN PERMISSION.

REVISIONS				
REV.	DESCRIPTION	DRFTG.	APP. BY	DATE
01	REVISED & REDRAWN	D.F. CRAFT		11-18-71
02	ECO # 801	M.P.		3/72
03	ECO # 897	M.P.		3/72
04	ECO # 1034	M.P.		8/72
05	ECO # 1053	M.P.		8/72
06	ECO # 1077	M.P.		8/72
07	ECO # 1534	R.W.C.		5-16-78
08	ECO # 1717	R.W.C.		7-11-78



QTY.	DESCRIPTION	PART NO.
	UNLESS OTHERWISE SPECIFIED—DIMENSIONS ARE IN INCHES TOLERANCES ON FRACTIONS DECIMALS ANGLES	
	XX = ±	
	XXX = ±	
	PARTS TO BE FREE FROM BURRS BREAK ALL EDGES .010	
	UNLESS OTHERWISE SPECIFIED—ALL MACH. SURFACES	
MATERIAL		
FINISH		
SCALE		
DRAWN	D.F. CRAFT	11-18-71
CHECKED		
ENGINEER	R. GRUNER	11-18-71
APPROVED		
FIRST USED ON	2096	
	107-000079	
<b>DATA GENERAL CORPORATION</b> SOUTHBORO, MASSACHUSETTS 01772		
TITLE		
800/1200 SINGLE +5 POWER SUPPLY		
SIZE	CODE	DRAWING NUMBER
D	001	000149
REV		
08		