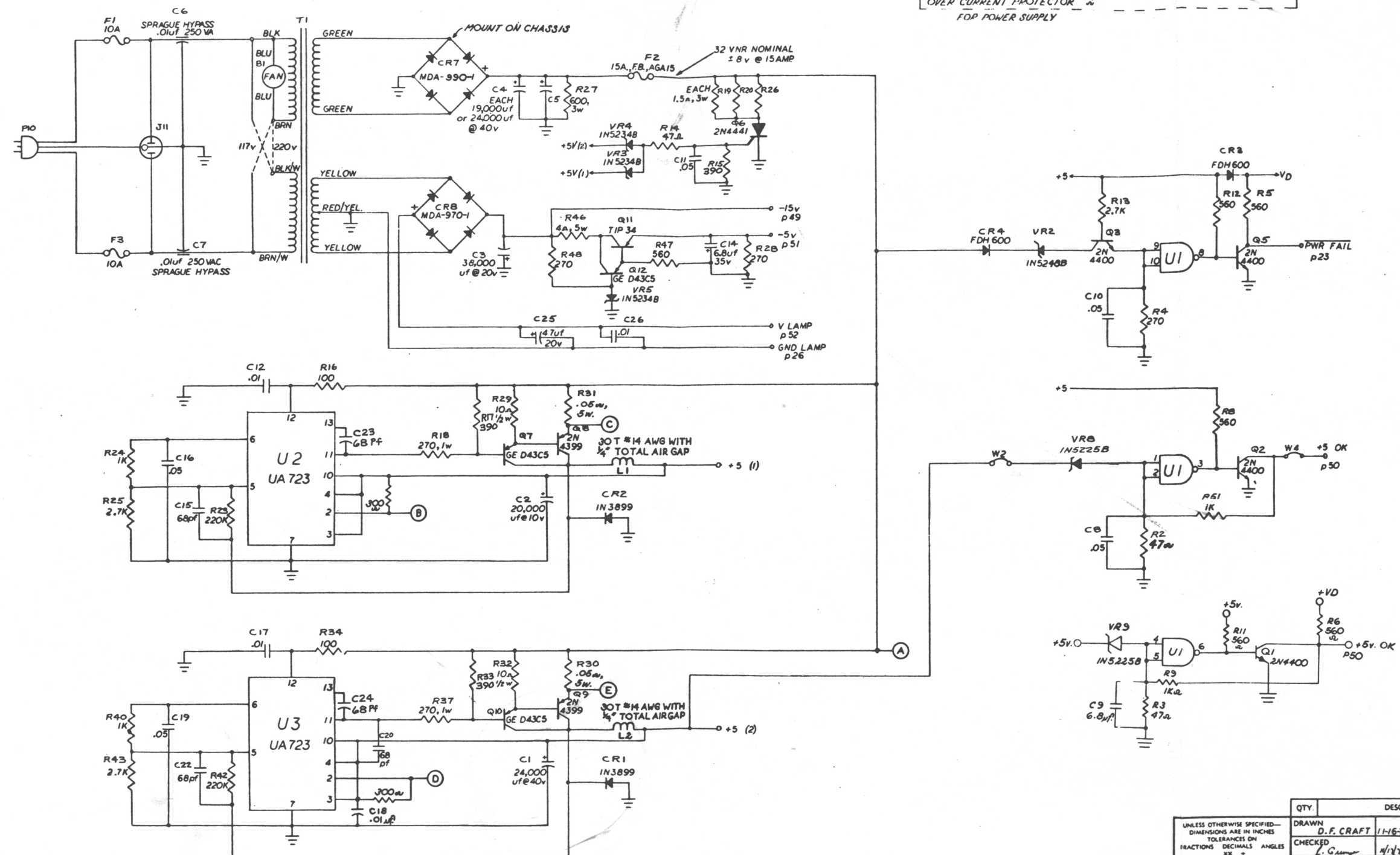
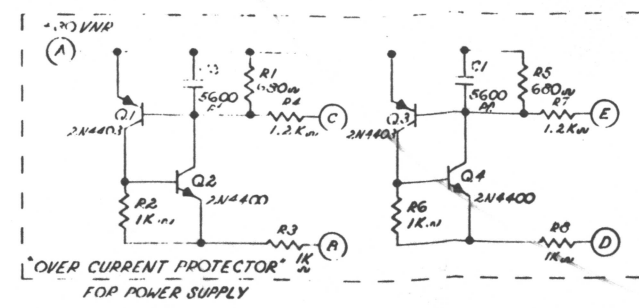


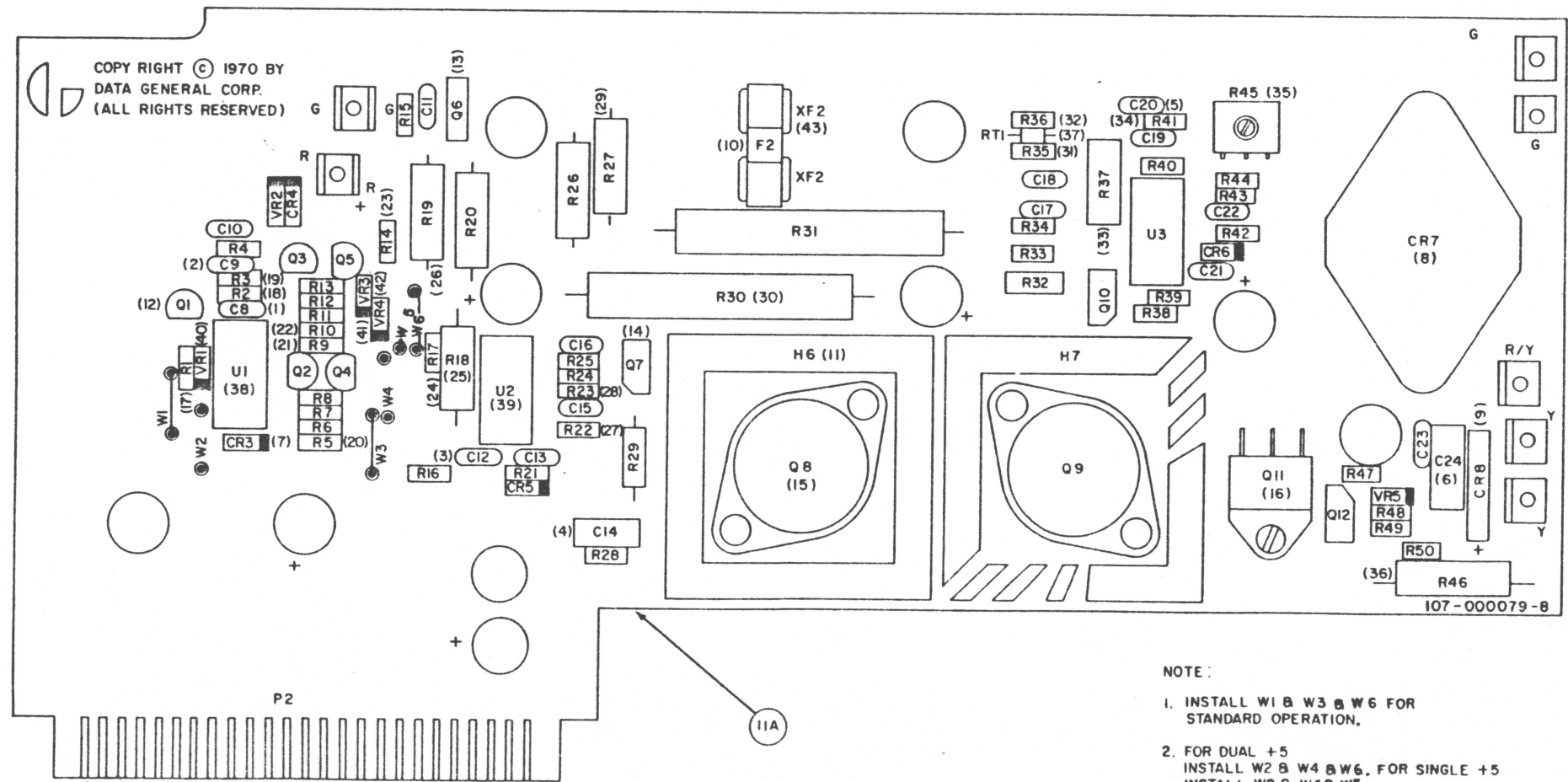
THIS DRAWING AND SPECIFICATIONS HEREIN ARE THE PROPERTY OF DATA GENERAL CORPORATION AND SHALL NOT BE REPRODUCED OR COPIED OR USED IN WHOLE OR IN PART AS THE BASIS FOR MANUFACTURE OR SALE OF ITEMS WITHOUT WRITTEN PERMISSION.

REVISIONS			
REV.	DESCRIPTION	DRFTG	APP BY DATE
01	REVISED & REDRAWN	R.G.	11-20-71
02	ECO# 801	M.D.	3/72
03	ECO# 897	M.D.	3/72
04	ECO# 1034	M.D.	8/72
05	ECO# 1053	M.D.	8/72
06	ECO# 1077	M.D.	8/72
07	ECO# 1235	R.W.C.	12-72
08	ECO# 1535	R.W.C.	5-74
09	ECO# 1717	R.W.C.	7-74



QTY	DESCRIPTION	PART NO
	UNLESS OTHERWISE SPECIFIED—DIMENSIONS ARE IN INCHES TOLERANCES ON FRACTIONS DECIMALS ANGLES	
	XX =	
	XXX =	
	PARTS TO BE FREE FROM BURRS BREAK ALL EDGES 910	
	UNLESS OTHERWISE SPECIFIED—ALL MACH. SURFACES	
	MATERIAL	
	FINISH	
	DRAWN D.F. CRAFT 11-16-71	
	CHECKED L. GAMER 4/1/72	
	ENGINEER R. GRUNER 11-16-71	
	APPROVED	
	FIRST USED ON 2048	
	107-000079	
	SCALE	
	DATA GENERAL CORPORATION SOUTHBORO, MASSACHUSETTS 01772	
	TITLE	
	800/1200 DUAL +5 POWER SUPPLY	
	SIZE D 001	DRAWING NUMBER 000148
		REV 09

THIS DRAWING AND SPECIFICATIONS, HEREIN, ARE THE PROPERTY OF DATA GENERAL CORPORATION AND SHALL NOT BE REPRODUCED OR COPIED OR USED IN WHOLE OR IN PART AS THE BASIS FOR MANUFACTURE OR SALE OF ITEMS WITHOUT WRITTEN PERMISSION.



- NOTE:
1. INSTALL W1 & W3 & W6 FOR STANDARD OPERATION.
 2. FOR DUAL +5 INSTALL W2 & W4 & W6. FOR SINGLE +5 INSTALL W2 & W4 & W5.
 3. INSTALL FOR DUAL +5V ONLY R43 & C22.

Figure 6-8. Nova 800 Power Supply Printed Circuit Board Assembly

THIS DRAWING AND SPECIFICATIONS, HEREIN, ARE THE PROPERTY OF DATA GENERAL CORPORATION AND SHALL NOT BE REPRODUCED OR COPIED OR USED IN WHOLE OR IN PART AS THE BASIS FOR MANUFACTURE OR SALE OF ITEMS WITHOUT WRITTEN PERMISSION.

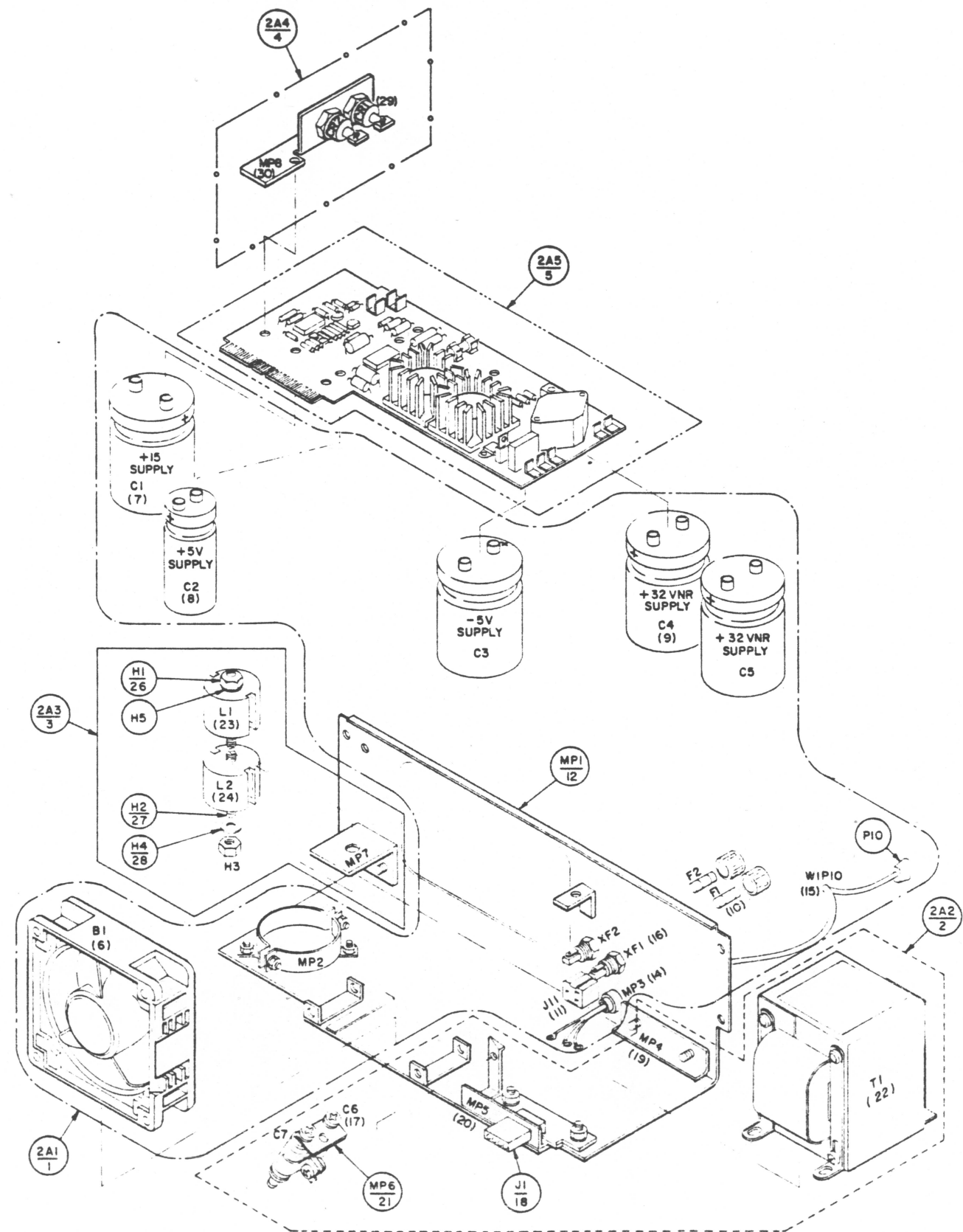


Figure 6-7. Nova 800 Power Supply Unit
6-32