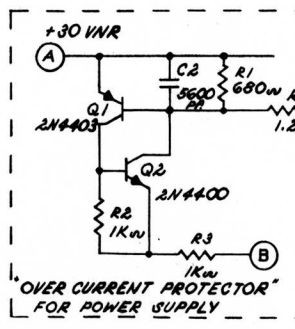
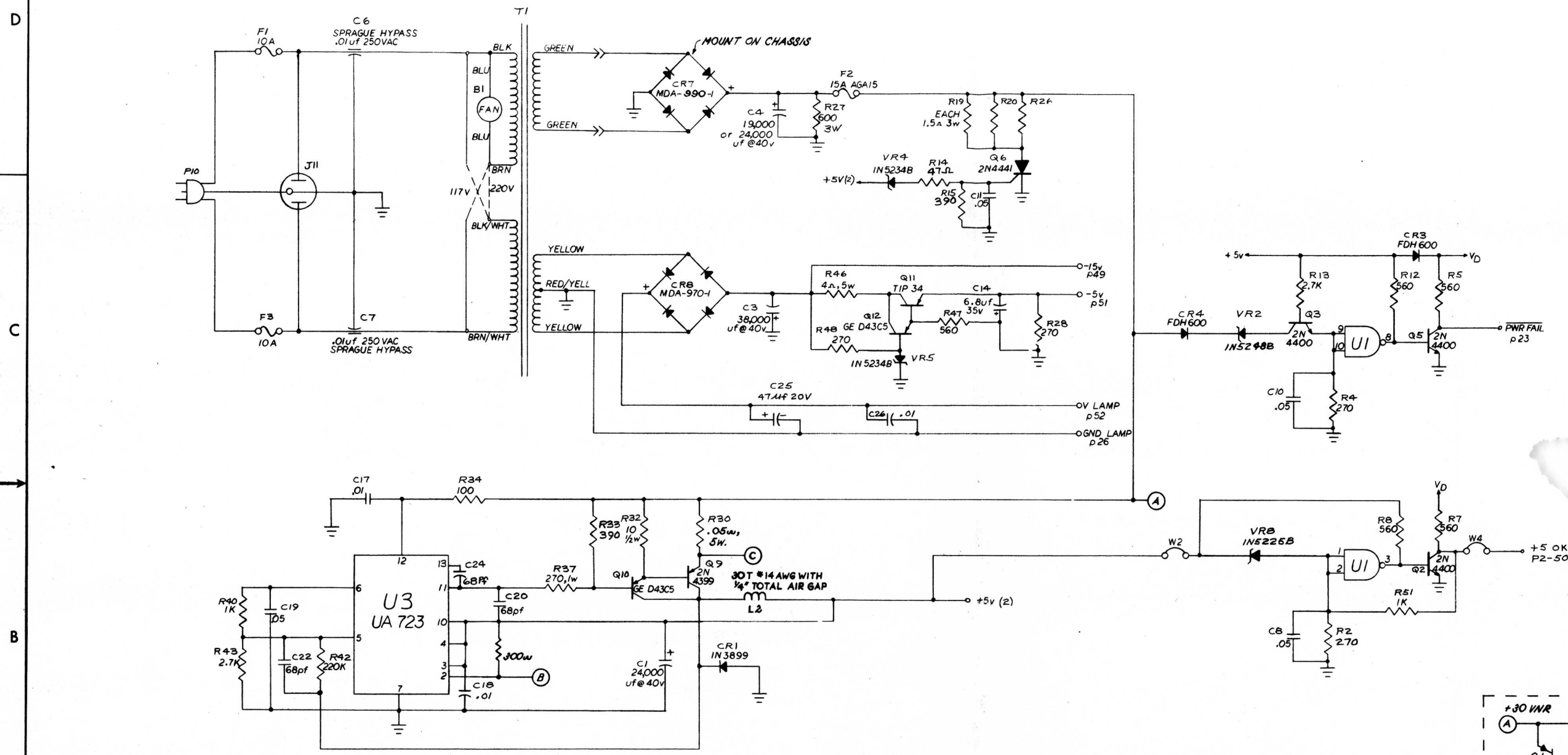


THIS DRAWING AND SPECIFICATIONS HEREIN, ARE THE PROPERTY OF DATA GENERAL CORPORATION AND SHALL NOT BE REPRODUCED OR COPIED OR USED IN WHOLE OR IN PART AS THE BASIS FOR MANUFACTURE OR SALE OF ITEMS WITHOUT WRITTEN PERMISSION.

REV.	DESCRIPTION
01	REVISED
02	ECO #
03	ECO #
04	ECO #
05	ECO #
06	ECO #
07	ECO #
08	ECO #



QTY.	DESCRIPTION
	UNLESS OTHERWISE SPECIFIED— DIMENSIONS ARE IN INCHES TOLERANCES ON FRACTIONS DECIMALS ANGLES XXX ± ± PARTS TO BE FREE FROM BURRS BREAK ALL EDGES 010
	UNLESS OTHERWISE SPECIFIED— ALL MACH SURFACES
	MATERIAL
	FINISH
	SCALE
	DRAWN D.F. CRAFT 11-18-71
	CHECKED
	ENGINEER R. GRUNER 11-18-71
	APPROVED
	FIRST USED ON 2096
	107-000079
	SIZE D