

THIS DRAWING AND SPECIFICATIONS, HEREIN, ARE THE PROPERTY OF DATA GENERAL CORPORATION AND SHALL NOT BE REPRODUCED OR COPIED OR USED IN WHOLE OR IN PART AS THE BASIS FOR MANUFACTURE OR SALE OF ITEMS WITHOUT WRITTEN PERMISSION.

REVISIONS			
REV	DESCRIPTION	DRFTG	APP BY DATE

NOTE:-
RESISTORS 5% TOL AT TEST LEVEL.

NOTE:-
UNLESS OTHERWISE SPECIFIED-
DIMENSIONS ARE IN INCHES
TOLERANCES ON
FRACTIONS DECIMALS ANGLES
XXX ± .005
PARTS TO BE FREE FROM BURRS
BREAK ALL EDGES .010

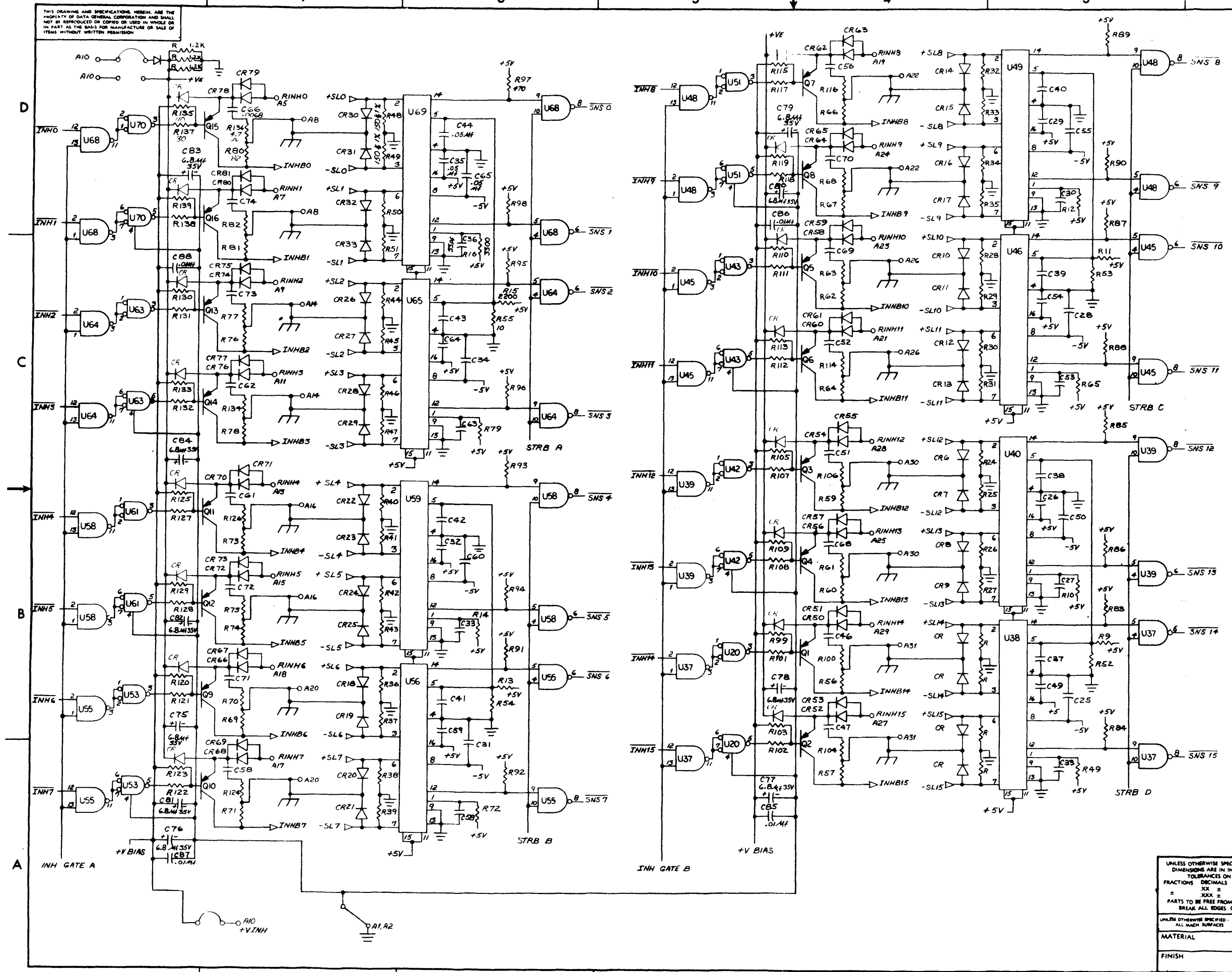
NOTE: ALL CAPACITORS ARE IN MICROFARADS, AND ALL RESISTORS ARE IN OHMS. 1/4 WATT, WITH 5% TOLERANCE UNLESS OTHERWISE SPECIFIED.

QTY.	DESCRIPTION	PART NO

DRAWN CHET JOHNSON 9/21/70		DATA GENERAL CORPORATION SOUTHBORO, MASSACHUSETTS 01772 TITLE 4K MEMORY MA & MB REGISTER & CONTROL 8103 (NOVA 1200)
CHECKED		
ENGINEER		SIZE CODE
APPROVED		DRAWING NUMBER
FIRST USED ON		REV
MATERIAL		
FINISH		
SCALE		

THIS DRAWING AND SPECIFICATIONS HEREIN ARE THE PROPERTY OF DATA GENERAL CORPORATION AND SHALL NOT BE REPRODUCED OR COPIED OR USED IN WHOLE OR IN PART AS THE BASIS FOR MANUFACTURE OR SALE OF ITEMS WITHOUT WRITTEN PERMISSION.

REVISIONS			
REV	DESCRIPTION	DRFTG	APP BY DATE



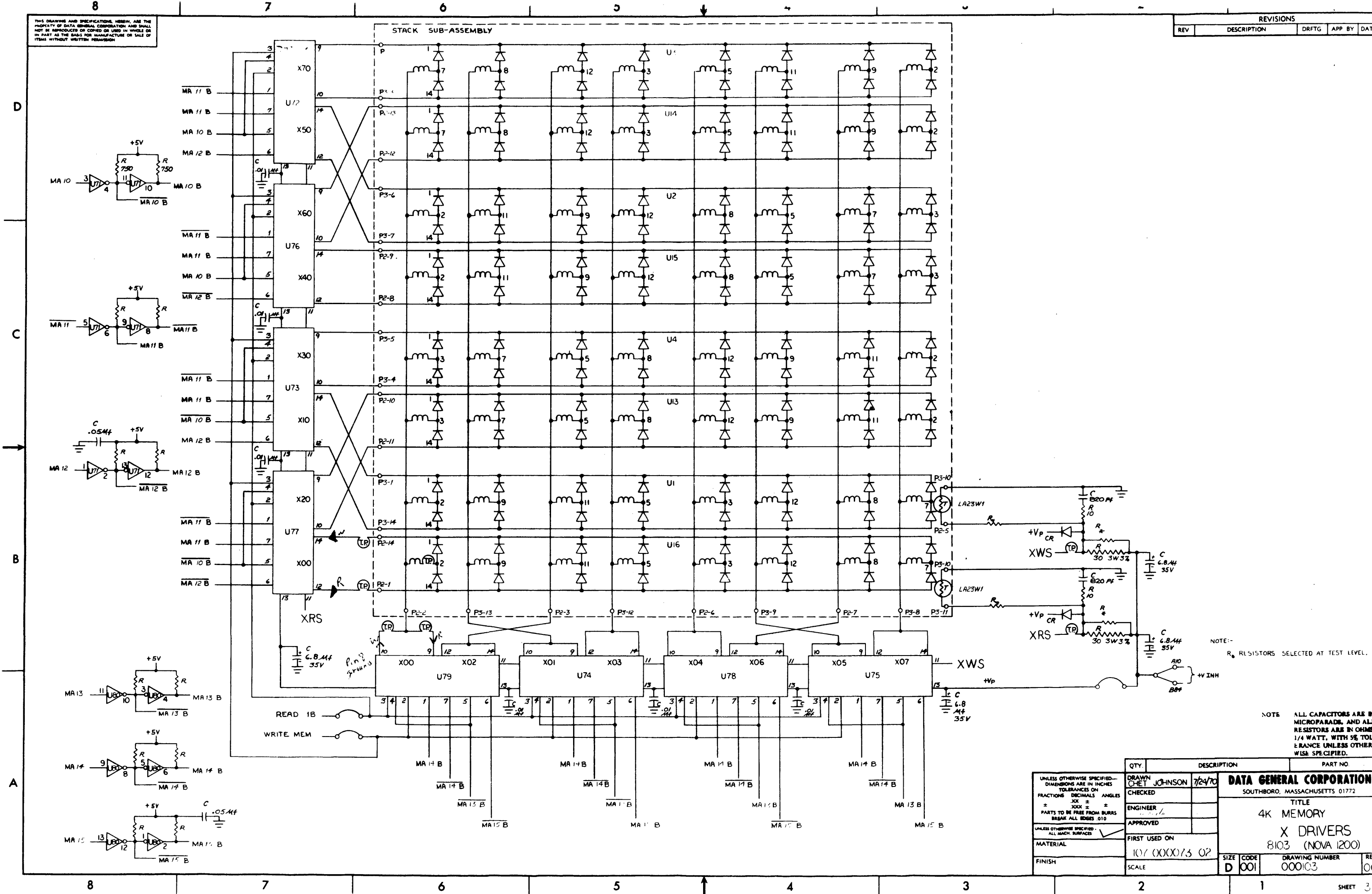
NOTE: ALL CAPACITORS ARE IN MICROFARADS, AND ALL RESISTORS ARE IN OHMS, 1/4 WATT, WITH 5% TOLERANCE UNLESS OTHERWISE SPECIFIED.
TRANSISTORS ARE 2N5022

QTY	DESCRIPTION	PART NO

UNLESS OTHERWISE SPECIFIED— DIMENSIONS ARE IN INCHES TOLERANCES ON FRACTIONS DECIMALS ANGLES XXX ± XXX ± PARTS TO BE FREE FROM BURRS BREAK ALL EDGES 010	DRAWN CHET JOHNSON 8/6/70	DATA GENERAL CORPORATION SOUTHBORO, MASSACHUSETTS 01772
CHECKED	ENGINEER	TITLE
APPROVED		4K MEMORY
FIRST USED ON		SENSE & INHIBIT
107 000073 02		8103 (NOVA 1200)
MATERIAL		SIZE CODE DRAWING NUMBER REV
FINISH		D 001 000103 00
SCALE		

THIS DRAWING AND SPECIFICATIONS HEREIN ARE THE PROPERTY OF DATA GENERAL CORPORATION AND SHALL NOT BE REPRODUCED OR COPIED OR USED IN WHOLE OR IN PART AS THE BASIS FOR MANUFACTURE OR SALE OF ITEMS WITHOUT WRITTEN PERMISSION

REVISIONS			
REV	DESCRIPTION	DRFTG	APP BY DATE



NOTE: R_s RESISTORS SELECTED AT TEST LEVEL.

NOTE: ALL CAPACITORS ARE IN MICROFARADS, AND ALL RESISTORS ARE IN OHMS, 1/4 WATT, WITH 5% TOLERANCE UNLESS OTHERWISE SPECIFIED.

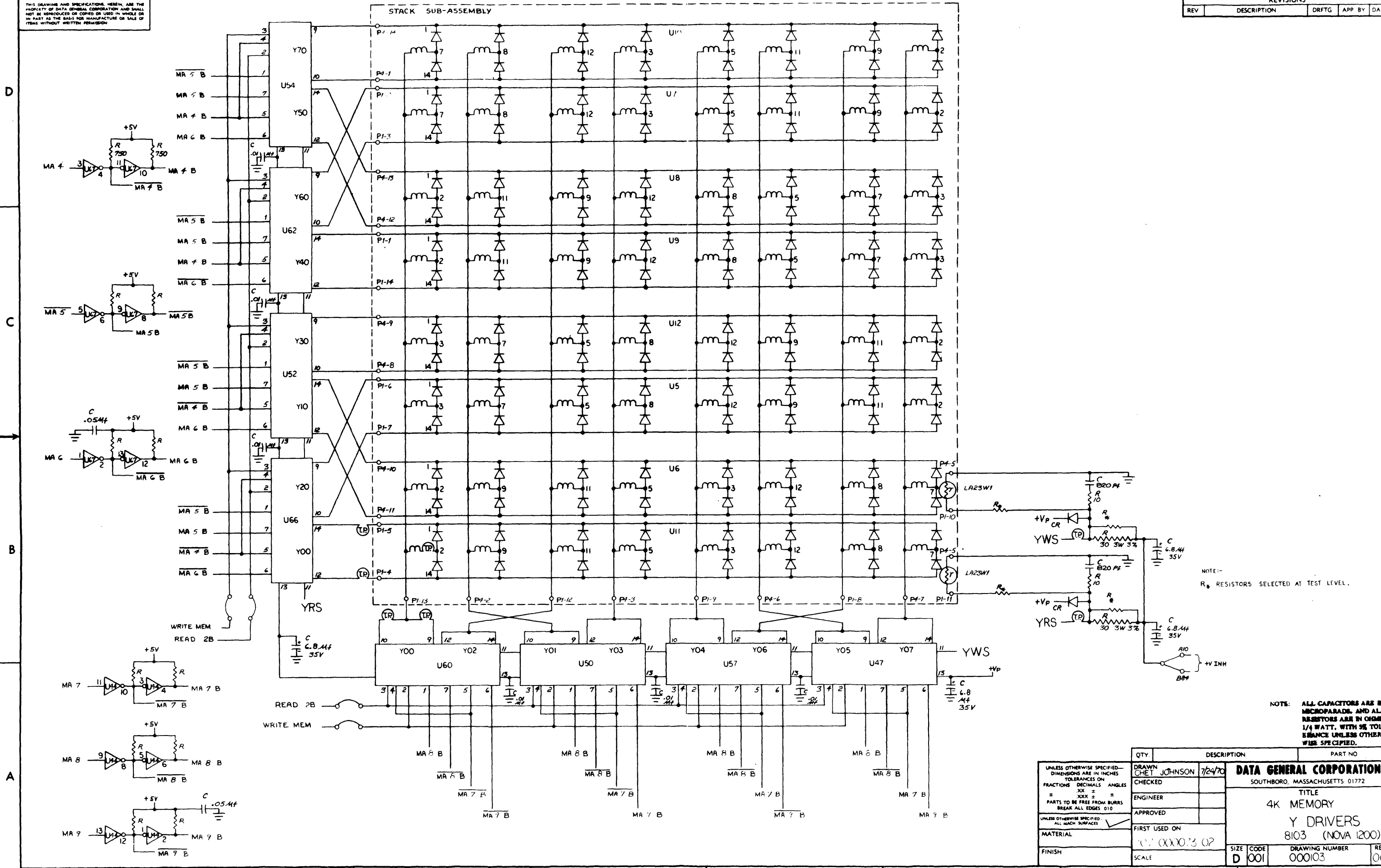
QTY.	DESCRIPTION	PART NO.

UNLESS OTHERWISE SPECIFIED—DIMENSIONS ARE IN INCHES		DRAWN CHET JOHNSON 7/24/70		DATA GENERAL CORPORATION	
FRACTIONS DECIMALS ANGLES		CHECKED		SOUTHBORO, MASSACHUSETTS 01772	
TOLERANCES ON		ENGINEER		TITLE	
XOX ±		APPROVED		4K MEMORY	
XOX ±		FIRST USED ON		X DRIVERS	
PARTS TO BE FREE FROM BURRS		107 000073 02		8103 (NOVA 1200)	
BREAK ALL EDGES .010		SCALE		DRAWING NUMBER	
UNLESS OTHERWISE SPECIFIED—ALL MACH SURFACES		D		000103	
MATERIAL		REV		00	
FINISH		001		00	

THIS DRAWING AND SPECIFICATIONS HEREIN ARE THE PROPERTY OF DATA GENERAL CORPORATION AND SHALL NOT BE REPRODUCED OR COPIED OR USED IN WHOLE OR IN PART AS THE BASIS FOR MANUFACTURE OR SALE OF ITEMS WITHOUT WRITTEN PERMISSION.

REVISIONS			
REV	DESCRIPTION	DRFTG	APP BY DATE

STACK SUB-ASSEMBLY



NOTE: R_s RESISTORS SELECTED AT TEST LEVEL.

NOTE: ALL CAPACITORS ARE IN MICROFARADS, AND ALL RESISTORS ARE IN OHMS 1/4 WATT, WITH 5% TOLERANCE UNLESS OTHERWISE SPECIFIED.

QTY	DESCRIPTION	PART NO

UNLESS OTHERWISE SPECIFIED— DIMENSIONS ARE IN INCHES TOLERANCES ON: FRACTIONS DECIMALS ANGLES XX ± PARTS TO BE FREE FROM BURRS BREAK ALL EDGES 010		DRAWN CHET JOHNSON 7/24/70		DATA GENERAL CORPORATION SOUTHBORO, MASSACHUSETTS 01772	
UNLESS OTHERWISE SPECIFIED ALL MACH SURFACES		CHECKED		TITLE 4K MEMORY Y DRIVERS 8103 (NOVA 1200)	
MATERIAL		APPROVED		DRAWING NUMBER 000103	
FINISH		FIRST USED ON 01 XXXX.3 02		RE OK	
SIZE	CODE	SCALE			
D	001				