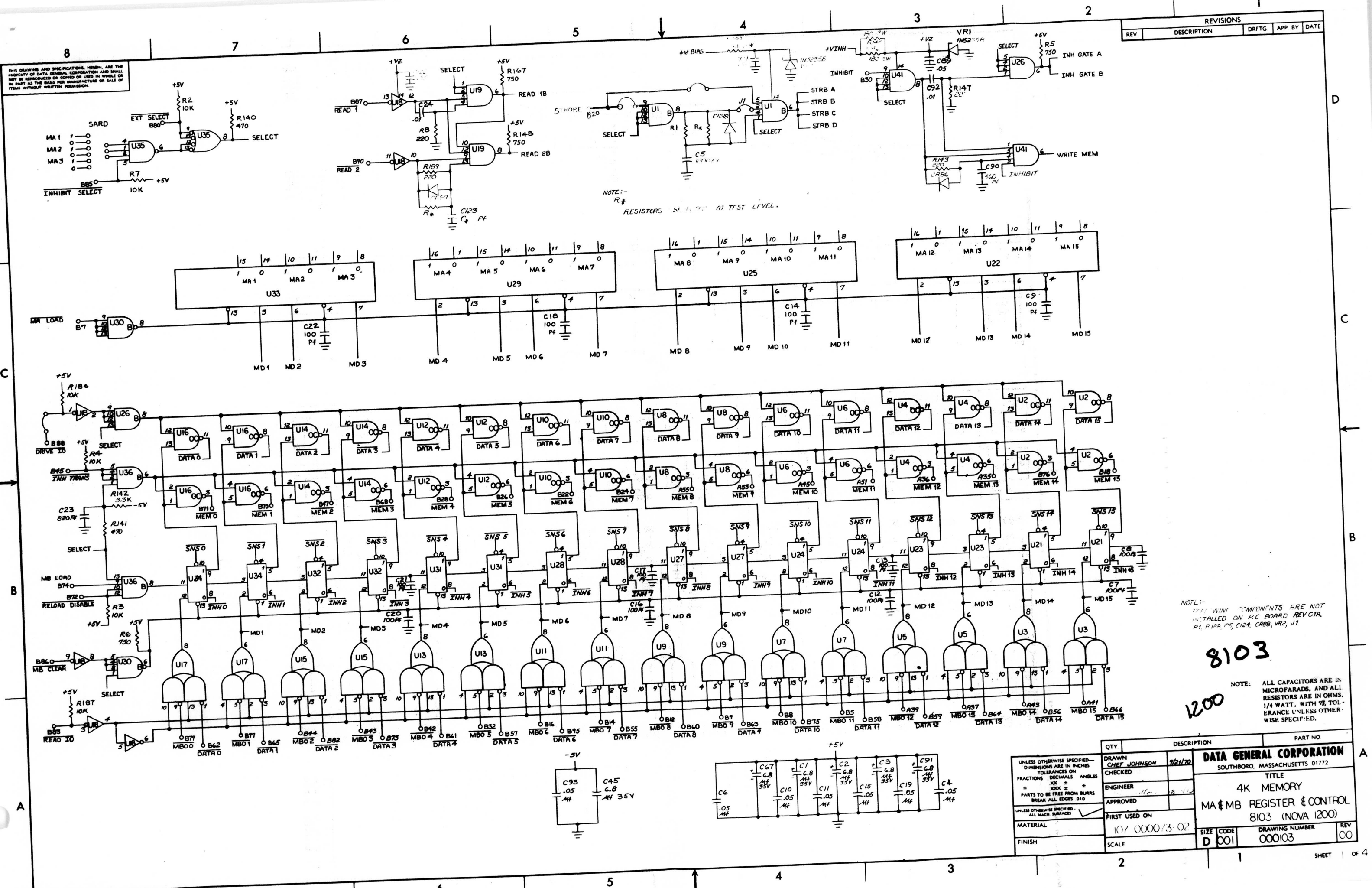


THIS DRAWING AND SPECIFICATIONS HEREIN ARE THE PROPERTY OF DATA GENERAL CORPORATION AND SHALL NOT BE REPRODUCED OR COPIED OR USED IN WHOLE OR IN PART AS THE BASIS FOR MANUFACTURE OR SALE OF ITEMS WITHOUT WRITTEN PERMISSION.

REVISIONS			
REV.	DESCRIPTION	DRFTG	APP BY DATE



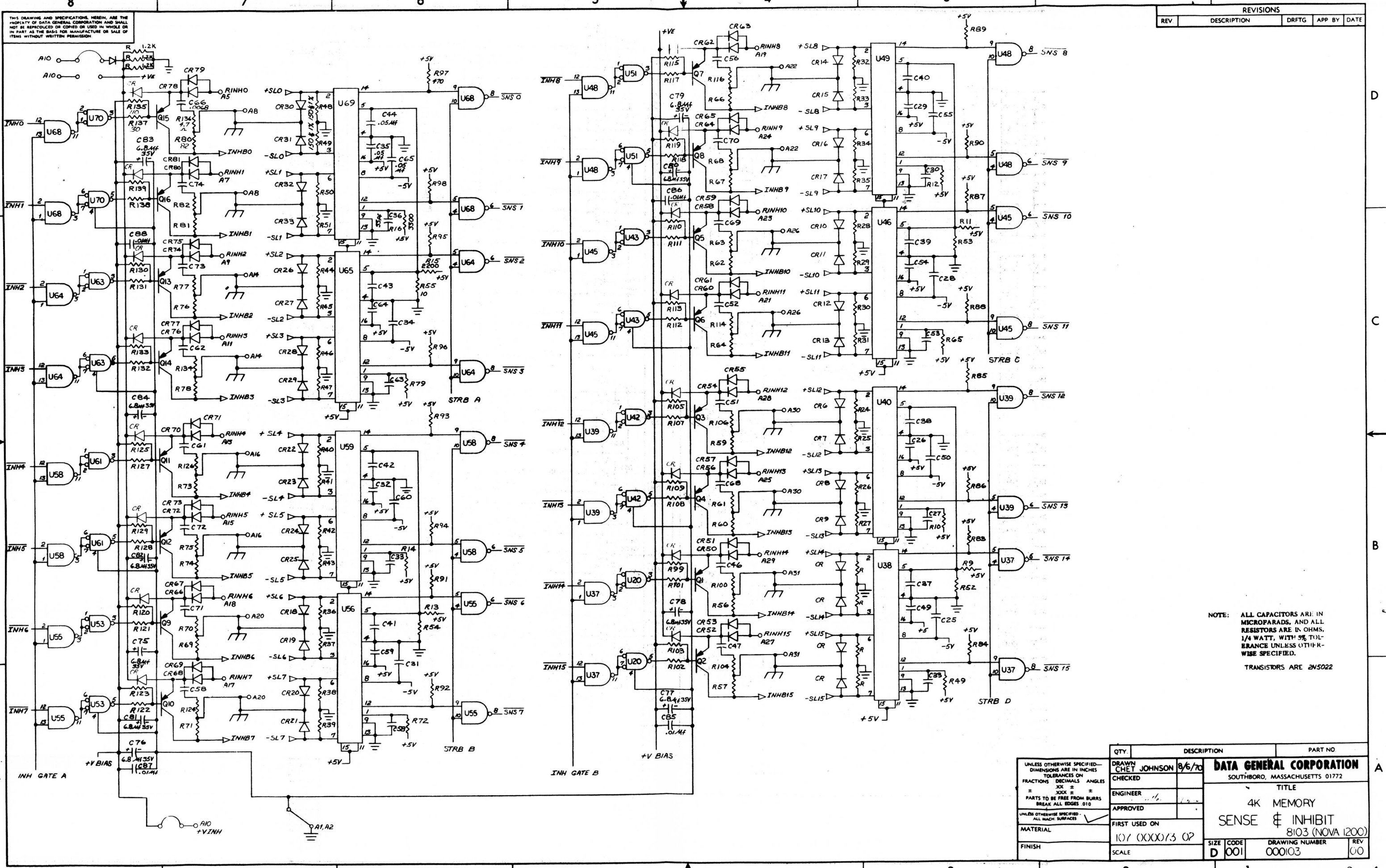
NOTE:-  
RESISTORS SELECTED AT TEST LEVEL.

NOTE:-  
PULL UP COMPONENTS ARE NOT INSTALLED ON P.C BOARD REV 01A.  
P1, R186, C5, C124, CR88, VR2, U1

8103  
1200

QTY.	DESCRIPTION	PART NO

DRAWN CHET JOHNSON 9/21/70		DATA GENERAL CORPORATION SOUTHBORO, MASSACHUSETTS 01772	
CHECKED		TITLE 4K MEMORY	
ENGINEER		MA & MB REGISTER & CONTROL	
APPROVED		8103 (NOVA 1200)	
FIRST USED ON		SIZE D	CODE 001
MATERIAL		DRAWING NUMBER 000103	
FINISH		SCALE	REV 00



THIS DRAWING AND SPECIFICATIONS, HEREIN, ARE THE PROPERTY OF DATA GENERAL CORPORATION AND SHALL NOT BE REPRODUCED OR COPIED OR USED IN WHOLE OR IN PART AS THE BASIS FOR MANUFACTURE OR SALE OF ITEMS WITHOUT WRITTEN PERMISSION.

REVISIONS				
REV	DESCRIPTION	DRFTG	APP BY	DATE

NOTE: ALL CAPACITORS ARE IN MICROFARADS, AND ALL RESISTORS ARE IN OHMS, 1/4 WATT, WITH 5% TOLERANCE UNLESS OTHERWISE SPECIFIED.  
TRANSISTORS ARE 2N5022

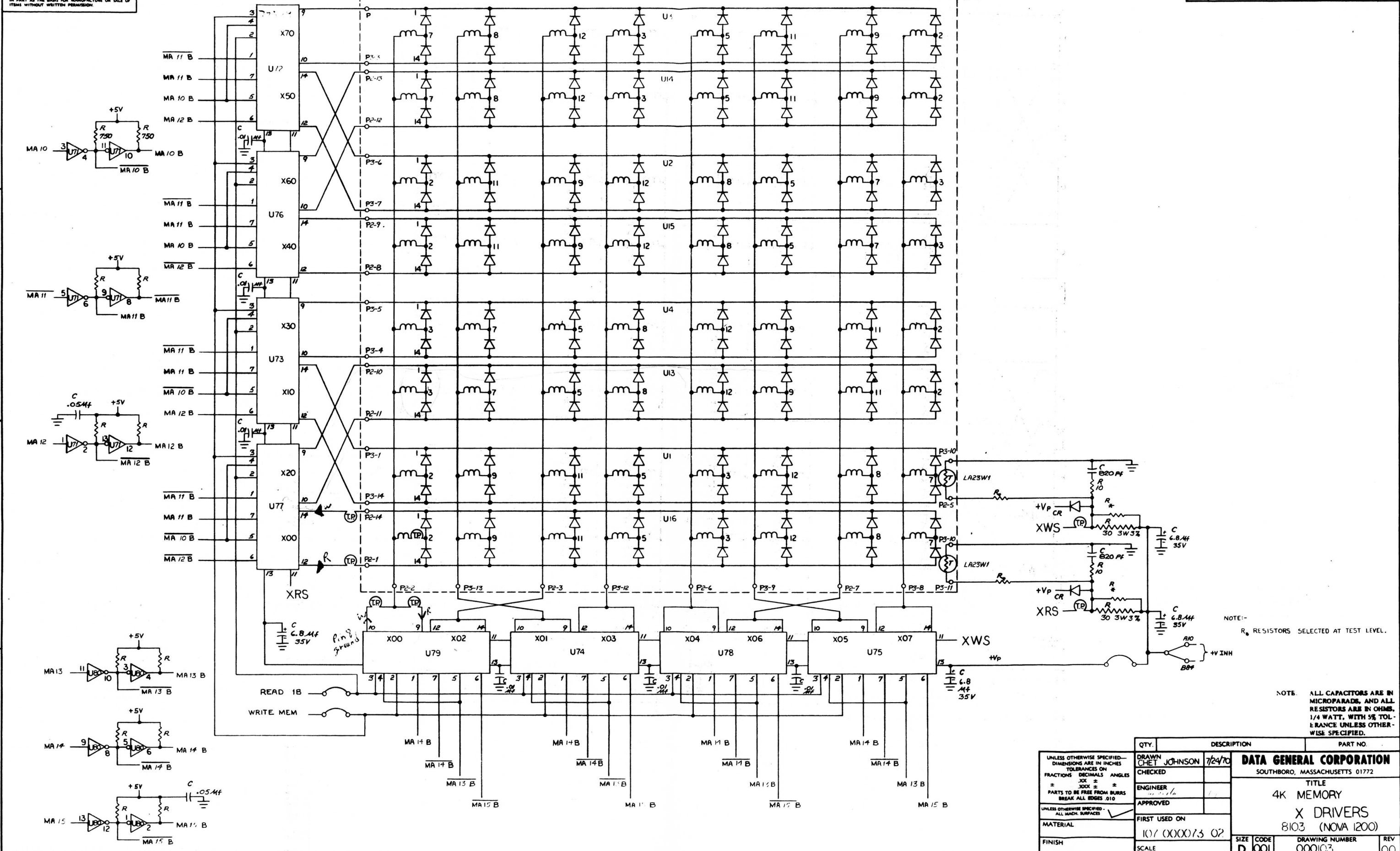
QTY.	DESCRIPTION	PART NO

UNLESS OTHERWISE SPECIFIED—DIMENSIONS ARE IN INCHES—FRACTIONS DECIMALS ANGLES XX ± ± XXXX ± ± PARTS TO BE FREE FROM BURRS BREAK ALL EDGES 010		<b>DATA GENERAL CORPORATION</b> SOUTHBORO, MASSACHUSETTS 01772	
DRAWN CHET JOHNSON 8/6/70	CHECKED	TITLE 4K MEMORY SENSE & INHIBIT 8103 (NOVA 1200)	
ENGINEER	APPROVED	FIRST USED ON 10/1 0000/3 02	SIZE CODE D 001
MATERIAL	FINISH	DRAWING NUMBER 000103	REV 00
SCALE			

THIS DRAWING AND SPECIFICATIONS, HEREIN, ARE THE PROPERTY OF DATA GENERAL CORPORATION AND SHALL NOT BE REPRODUCED OR COPIED OR USED IN WHOLE OR IN PART AS THE BASIS FOR MANUFACTURE OR SALE OF ITEMS WITHOUT WRITTEN PERMISSION.

REVISIONS				
REV	DESCRIPTION	DRFTG	APP BY	DATE



NOTE: R<sub>s</sub> RESISTORS SELECTED AT TEST LEVEL.

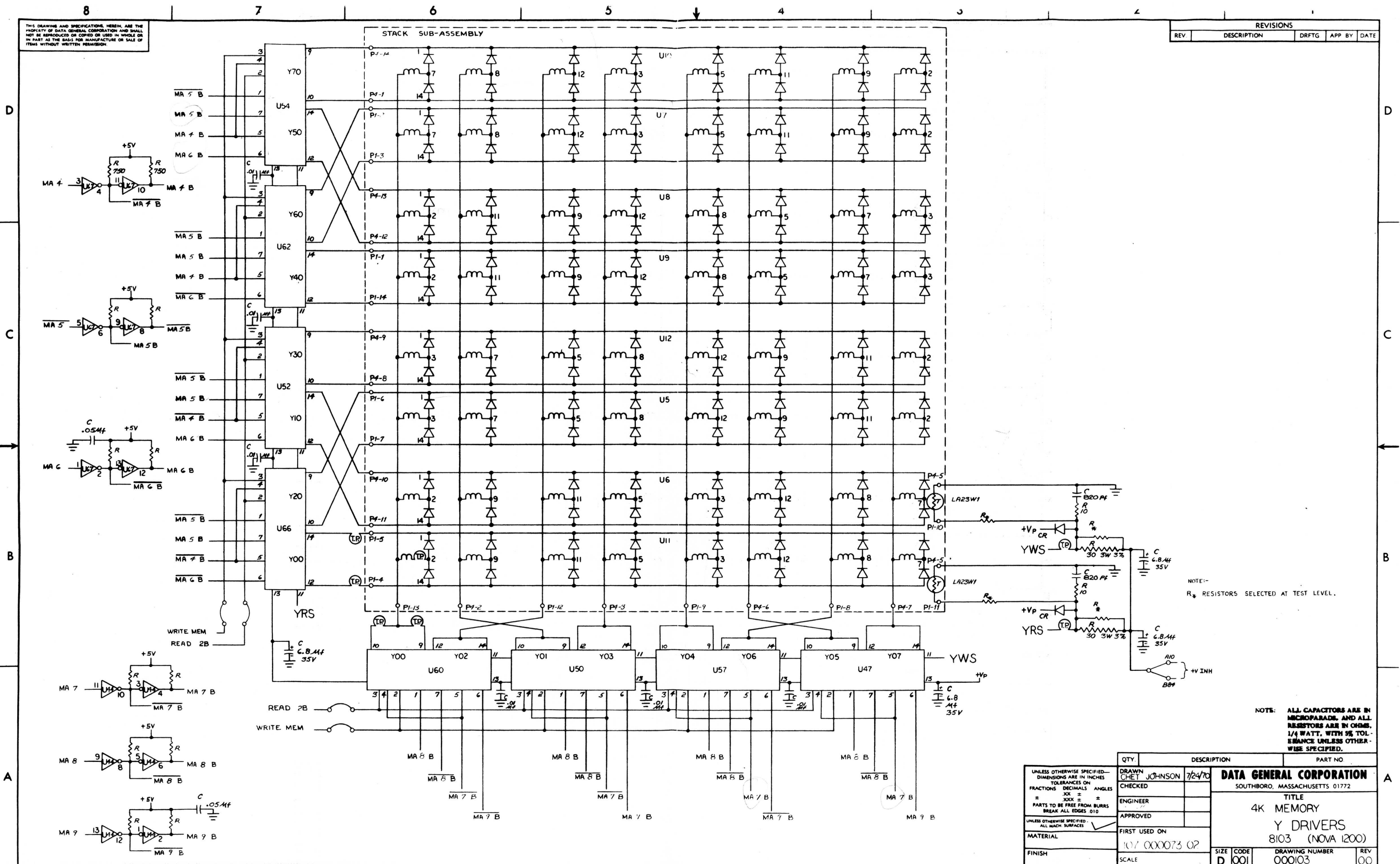
NOTE: ALL CAPACITORS ARE IN MICROFARADS, AND ALL RESISTORS ARE IN OHMS, 1/4 WATT, WITH 5% TOLERANCE UNLESS OTHERWISE SPECIFIED.

QTY.		DESCRIPTION		PART NO.	
DRAWN		CHET JOHNSON		7/24/70	
CHECKED					
ENGINEER					
APPROVED					
FIRST USED ON					
MATERIAL					
FINISH					
SCALE		10/000073 02			
SIZE	CODE	DRAWING NUMBER		REV	
D	001	000103		00	



THIS DRAWING AND SPECIFICATIONS HEREIN ARE THE PROPERTY OF DATA GENERAL CORPORATION AND SHALL NOT BE REPRODUCED OR COPIED OR USED IN WHOLE OR IN PART AS THE BASIS FOR MANUFACTURE OR SALE OF ITEMS WITHOUT WRITTEN PERMISSION.

REVISIONS			
REV	DESCRIPTION	DRFTG	APP BY DATE



NOTE: R\* RESISTORS SELECTED AT TEST LEVEL.

NOTE: ALL CAPACITORS ARE IN MICROFARADS, AND ALL RESISTORS ARE IN OHMS, 1/4 WATT, WITH 5% TOLERANCE UNLESS OTHERWISE SPECIFIED.

QTY.	DESCRIPTION	PART NO.

UNLESS OTHERWISE SPECIFIED— DIMENSIONS ARE IN INCHES TOLERANCES ON FRACTIONS DECIMALS ANGLES X.XX ± .005 X.X ± .010 X ± .015 PARTS TO BE FREE FROM BURRS BREAK ALL EDGES .010	DRAWN CHET JOHNSON 7/24/70 CHECKED ENGINEER APPROVED FIRST USED ON 10/7 000073 02 MATERIAL FINISH	<b>DATA GENERAL CORPORATION</b> SOUTHBORO, MASSACHUSETTS 01772 TITLE <b>4K MEMORY Y DRIVERS 8103 (NOVA 1200)</b> DRAWING NUMBER 000103 SIZE CODE D 001 REV 00
---	--	--