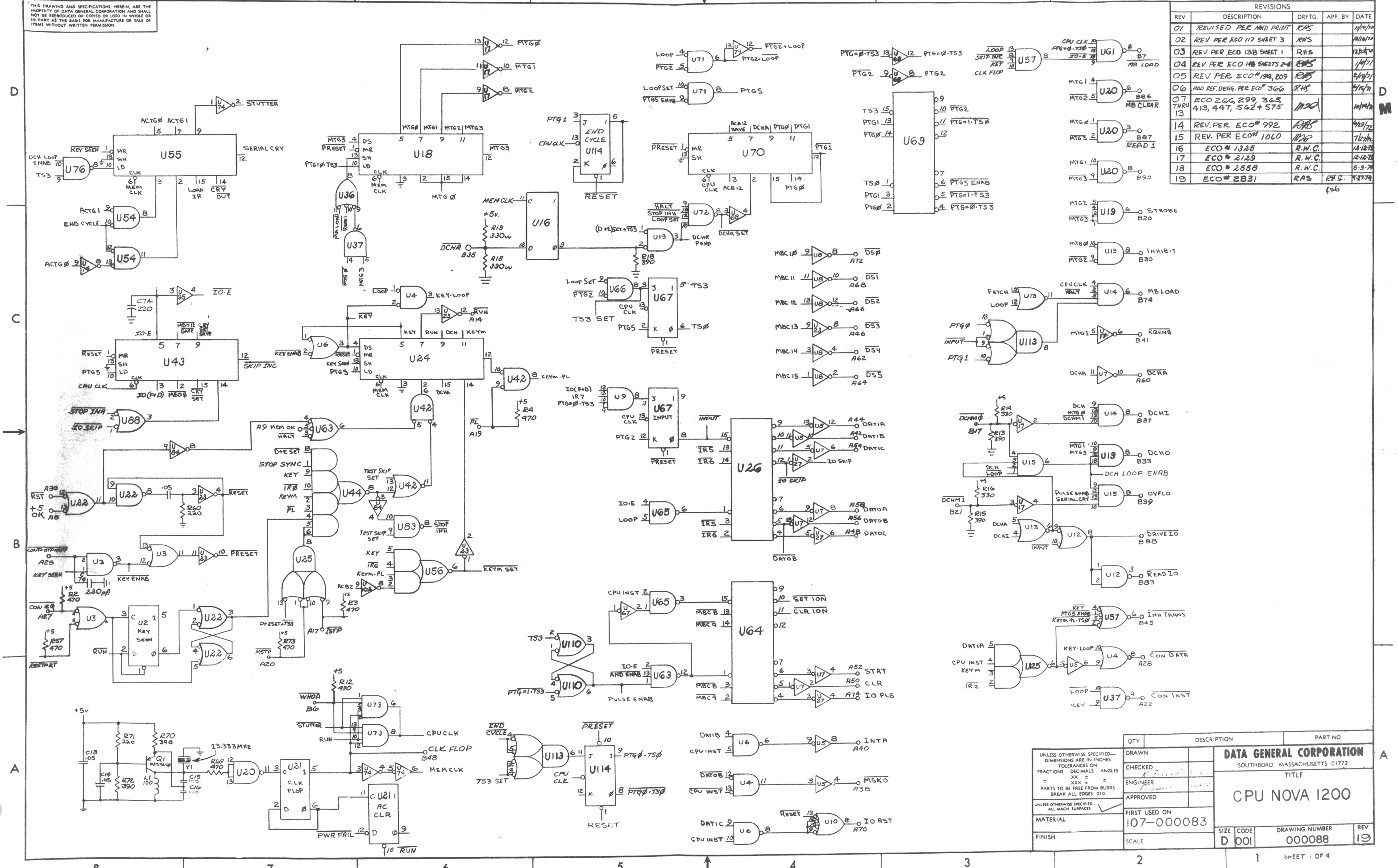


THIS DRAWING AND SPECIFICATIONS, HEREIN, ARE THE PROPERTY OF DATA GENERAL CORPORATION AND SHALL NOT BE REPRODUCED OR COPIED OR USED IN WHOLE OR IN PART AS THE BASIS FOR MANUFACTURE OR SALE OF ITEMS WITHOUT WRITTEN PERMISSION.

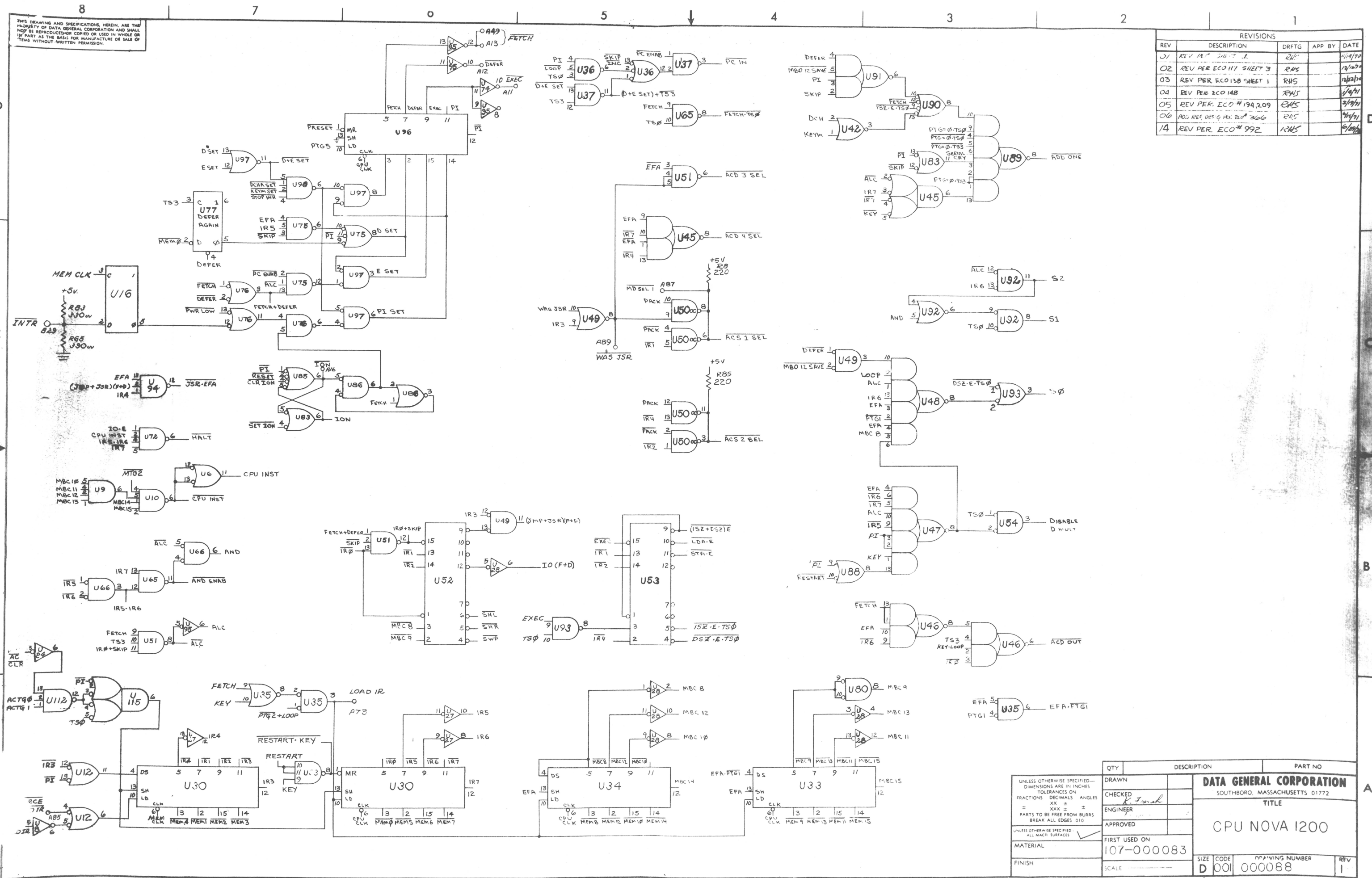
REVISIONS				
REV.	DESCRIPTION	DRFTG	APP BY	DATE
01	REVISED PER MND PRINT	RHS		11/19/70
02	REV PER ECO 117 SHEET 3	RHS		11/16/70
03	REV PER ECO 138 SHEET 1	RHS		12/24/70
04	REV PER ECO 146 SHEETS 2-4	RHS		1/19/71
05	REV PER ECO # 194, 209	RHS		2/19/71
06	ADD REF. DESIG. PER ECO # 366	RHS		4/15/71
07	ECO 266, 299, 365, 413, 447, 562 + 575	MSD		10/14/71
14	REV. PER ECO # 992	RHS		4/29/72
15	REV. PER ECO # 1060	MSD		7/27/72
16	ECO # 1328	R.W.C.		10-18-72
17	ECO # 2129	R.W.C.		10-18-72
18	ECO # 2558	R.W.C.		5-9-74
19	ECO # 2831	RAS	RJ	7-27-79



QTY	DESCRIPTION	PART NO
	DATA GENERAL CORPORATION SOUTHBORO, MASSACHUSETTS 01772	
	TITLE CPU NOVA 1200	
	FIRST USED ON 107-000083	
	SCALE	DRAWING NUMBER 000088
		REV 19

THIS DRAWING AND SPECIFICATIONS, HEREIN, ARE THE PROPERTY OF DATA GENERAL CORPORATION AND SHALL NOT BE REPRODUCED OR COPIED OR USED IN WHOLE OR IN PART AS THE BASIS FOR MANUFACTURE OR SALE OF ITEMS WITHOUT WRITTEN PERMISSION.

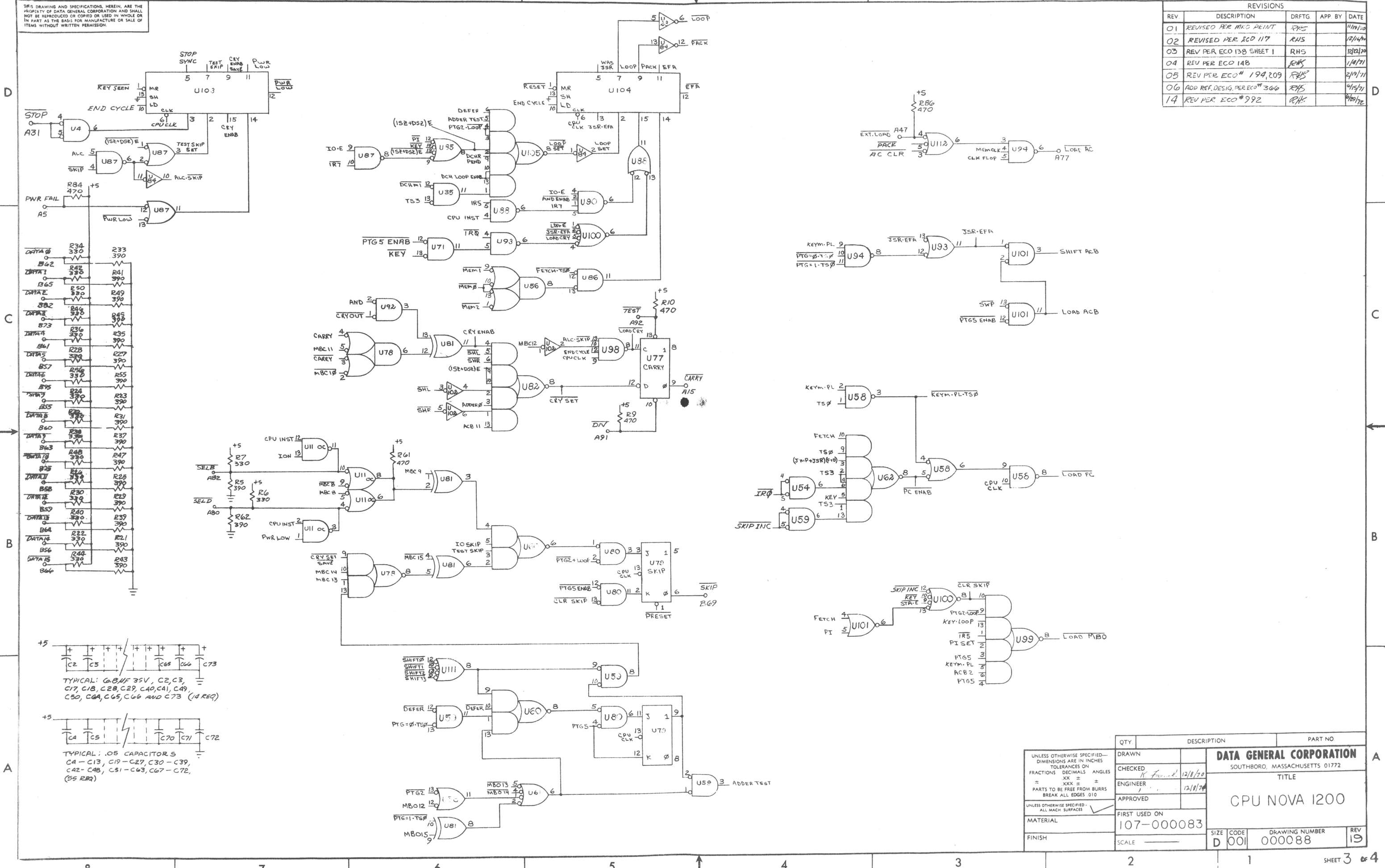
REVISIONS				
REV	DESCRIPTION	DRFTG	APP BY	DATE
01	REV PER ECO #117	RHS		11/19/70
02	REV PER ECO #117 SHEET 3	RHS		12/1/70
03	REV PER ECO #158 SHEET 1	RHS		1/28/71
04	REV PER ECO #148	RHS		1/29/71
05	REV PER ECO #194,209	RHS		2/19/71
06	ADD REF DES 6 REL ECO #306	RHS		4/1/71
14	REV PER ECO #992	RHS		6/2/71



QTY	DESCRIPTION	PART NO
	DATA GENERAL CORPORATION	
	SOUTHBORO, MASSACHUSETTS 01772	
	TITLE	
	CPU NOVA 1200	
	DRAWN	
	CHECKED <i>K. Frank</i>	
	ENGINEER	
	APPROVED	
	FIRST USED ON	
	107-000083	
	MATERIAL	
	FINISH	
	SIZE	CODE
	D	001
	SCALE	DRAWING NUMBER
		000088
		REV
		1

THIS DRAWING AND SPECIFICATIONS, HEREIN, ARE THE PROPERTY OF DATA GENERAL CORPORATION AND SHALL NOT BE REPRODUCED OR COPIED OR USED IN WHOLE OR IN PART AS THE BASIS FOR MANUFACTURE OR SALE OF ITEMS WITHOUT WRITTEN PERMISSION.

REVISIONS				
REV	DESCRIPTION	DRFTG	APP BY	DATE
01	REVISED PER MRG PRINT	RHS		11/11/70
02	REVISED PER ECO 117	RHS		12/1/70
03	REV PER ECO 138 SHEET 1	RHS		12/2/70
04	REV PER ECO 148	RHS		1/11/71
05	REV PER ECO # 194,209	RHS		2/19/71
06	ADD REF. DESIG. PER ECO # 366	RHS		4/15/71
14	REV PER ECO # 992	RHS		6/10/72



TYPICAL: $C_{2,3,17,18,28,29,40,41,49,50,64,65,66}$ AND C_{73}

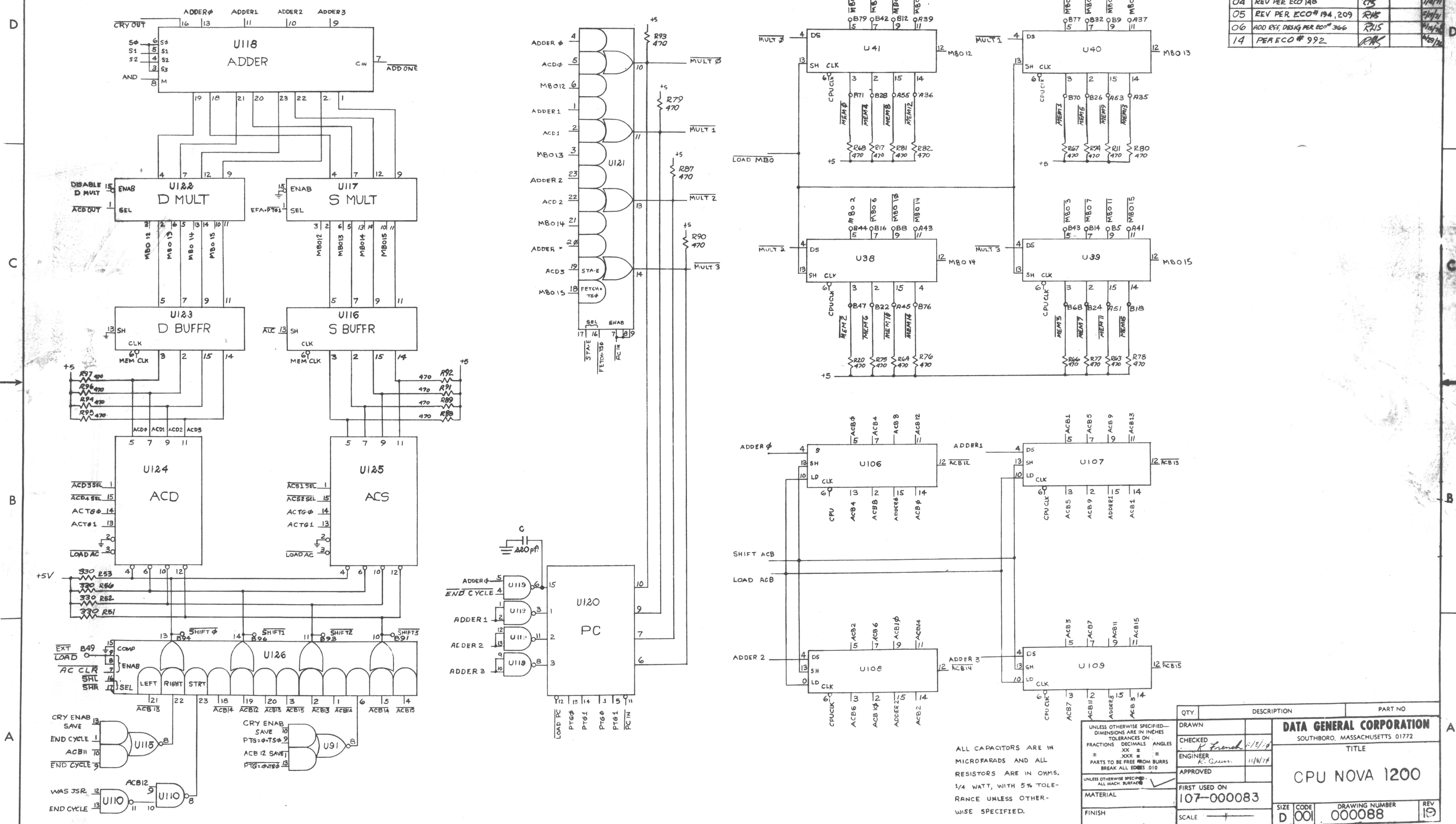
TYPICAL: .05 CAPACITORS
 $C_{4-13, 19-27, 30-39, 42-48, 51-63, 67-72, 75}$ (55 RRR)

QTY	DESCRIPTION	PART NO
	DRAWN	
	CHECKED	
	ENGINEER	
	APPROVED	
	FIRST USED ON	
	MATERIAL	
	FINISH	

DATA GENERAL CORPORATION		
SOUTHBORO, MASSACHUSETTS 01772		
TITLE		
CPU NOVA 1200		
SIZE	CODE	DRAWING NUMBER
D	001	000088
		REV
		19

THIS DRAWING AND SPECIFICATIONS, HEREIN, ARE THE PROPERTY OF DATA GENERAL CORPORATION AND SHALL NOT BE REPRODUCED OR COPIED OR USED IN WHOLE OR IN PART AS THE BASIS FOR MANUFACTURE OR SALE OF ITEMS WITHOUT WRITTEN PERMISSION.

REVISIONS				
REV.	DESCRIPTION	DRFTG.	APP. BY	DATE
01	REVISED PER MKD PRINT	RHS		11/10/70
02	REV PER ECO 117 SHEET 3	RHS		12/14/70
03	REV PER ECO 138 SHEET 1	RHS		12/29/70
04	REV PER ECO 148	RHS		1/17/71
05	REV PER ECO # 194, 209	RHS		2/11/71
06	ADD EFF. DESIG PER ECO # 366	RHS		2/11/71
14	PER ECO # 992	RHS		11/20/70



ALL CAPACITORS ARE IN MICROFARADS AND ALL RESISTORS ARE IN OHMS. 1/4 WATT, WITH 5% TOLERANCE UNLESS OTHERWISE SPECIFIED.

QTY.	DESCRIPTION	PART NO.
DRAWN	CHECKED	ENGINEER
APPROVED	FIRST USED ON	MATERIAL
FINISH	SCALE	

UNLESS OTHERWISE SPECIFIED—DIMENSIONS ARE IN INCHES. FRACTIONS DECIMALS ANGLES. .XXX ± .XXX ± . PARTS TO BE FREE FROM BURRS. BREAK ALL EDGES .010. UNLESS OTHERWISE SPECIFIED—ALL MACH. SURFACES.

DATA GENERAL CORPORATION
SOUTHBORO, MASSACHUSETTS 01772

TITLE
CPU NOVA 1200

107-000083

SIZE CODE D 001

DRAWING NUMBER 000088

REV 15