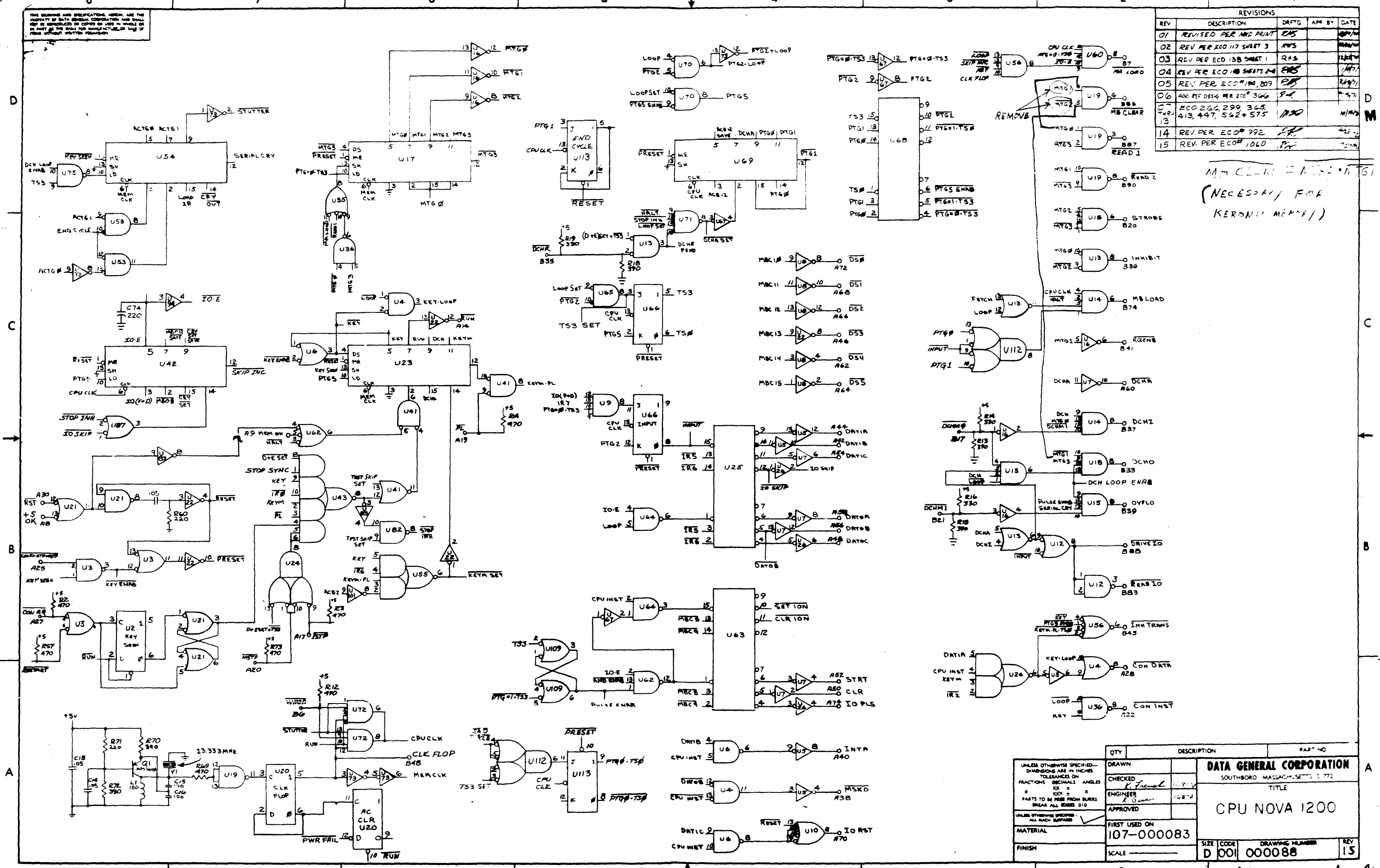


THIS DRAWING AND SPECIFICATIONS HEREIN ARE THE PROPERTY OF DATA GENERAL CORPORATION AND SHALL NOT BE REPRODUCED OR COPIED IN WHOLE OR IN PART BY ANY OTHER MANUFACTURER OR USER WITHOUT WRITTEN PERMISSION.

REVISIONS				
REV	DESCRIPTION	DFTG	APP BY	DATE
01	REVISED PER MID PRINT	EMS		11/17/74
02	REV PER ECO 117 SHEET 3	RHS		11/17/74
03	REV PER ECO 138 SHEET 1	RHS		11/17/74
04	REV PER ECO 140 SHEETS 2-4	EMS		11/17/74
05	REV PER ECO 194, 209	EMS		11/17/74
06	ADD REF DESG PER ECO 346	RHS		11/17/74
07	ECO 266, 299, 345, 413, 447, 542 + 575	MSO		11/17/74
13				
14	REV PER ECO 992	EMS		11/17/74
15	REV PER ECO 1060	EMS		11/17/74

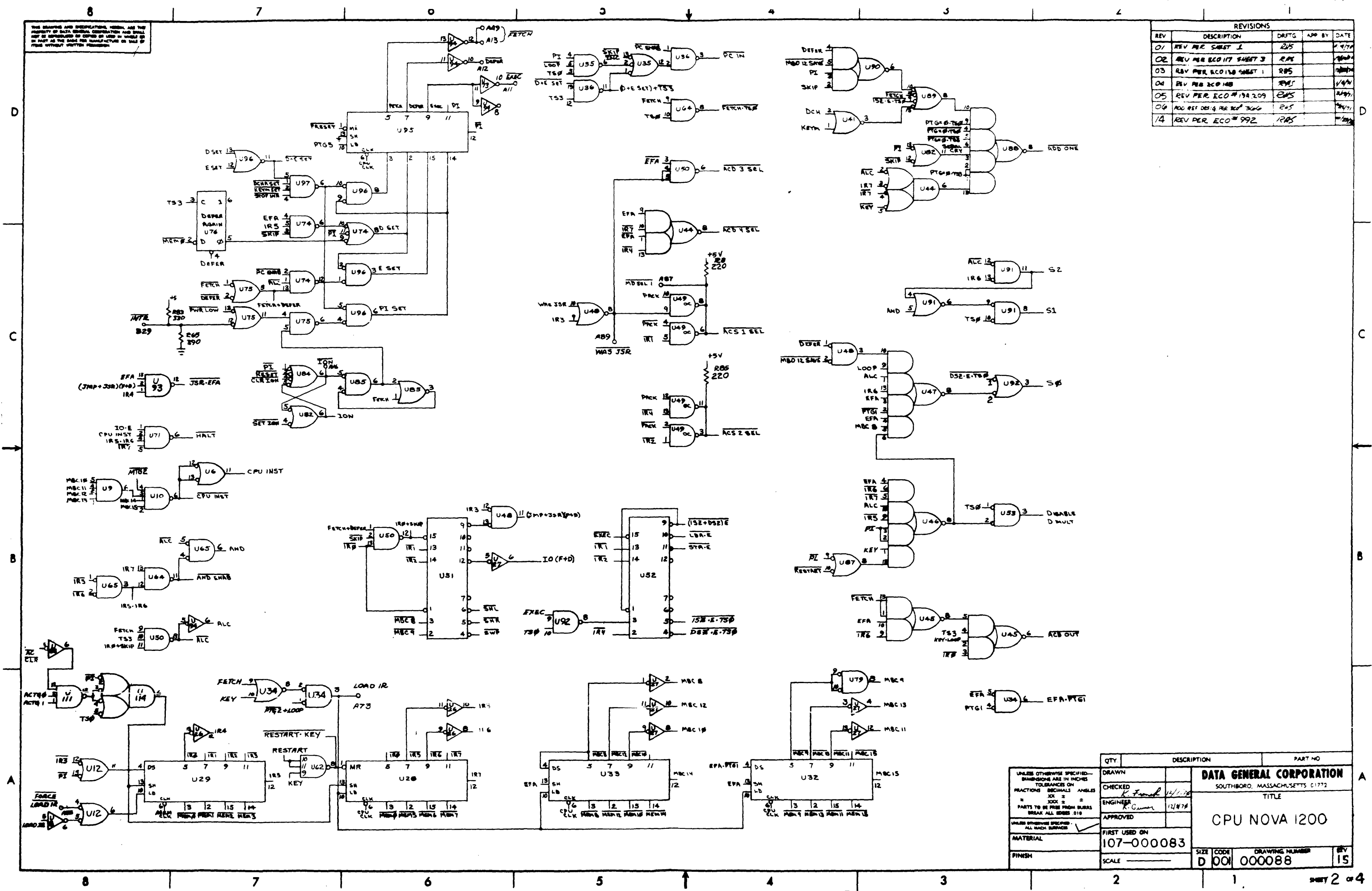
MEM CLEAR = INTG 101  
(NECESSARY FOR KERNAL MEMPH)



QTY	DESCRIPTION	PART NO
	UNLESS OTHERWISE SPECIFIED—DIMENSIONS ARE IN INCHES—TOLERANCES ON FRACTIONS: DECIMALS: ANGLES: .005 ± .001 1/16 ± .001	
	PARTS TO BE MADE FROM BURS BREAK ALL EDGES .010	
	UNLESS OTHERWISE SPECIFIED—FINISH: ALL SURFACES	
	DRAWN: [Signature]	
	CHECKED: [Signature]	
	ENGINEER: [Signature]	
	APPROVED: [Signature]	
	FIRST USED ON: 107-000083	
	MATERIAL:	
	FINISH:	
	SCALE:	
	<b>DATA GENERAL CORPORATION</b>	
	SOUTH BORDO MASSACHUSETTS 01772	
	TITLE: CPU NOVA 1200	
	SIZE CODE: D 001	DRAWING NUMBER: 000088
		REV: 15

THE DRAWING AND SPECIFICATIONS, HEREIN, ARE THE PROPERTY OF DATA GENERAL CORPORATION AND SHALL NOT BE REPRODUCED OR COPIED IN WHOLE OR IN PART BY ANY OTHER MANUFACTURER OR USER OF THIS DRAWING WITHOUT WRITTEN PERMISSION.

REVISIONS				
REV	DESCRIPTION	DRAFT	APP BY	DATE
01	REV PER SHEET 1	RBS		1/9/74
02	REV PER ECO #17 SHEET 3	RBS		1/24/74
03	REV PER ECO #18 SHEET 1	RBS		1/24/74
04	REV PER ECO #18B	RBS		1/24/74
05	REV PER ECO #19A,209	RBS		2/1/74
06	REV PER ECO #206	RBS		2/1/74
14	REV PER ECO #992	RBS		12/2/78

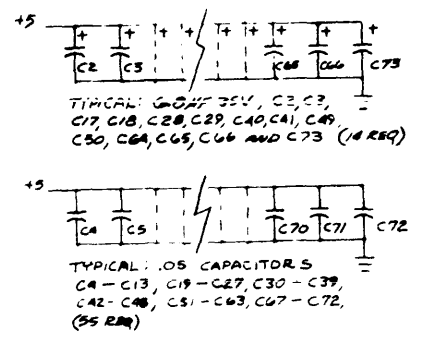
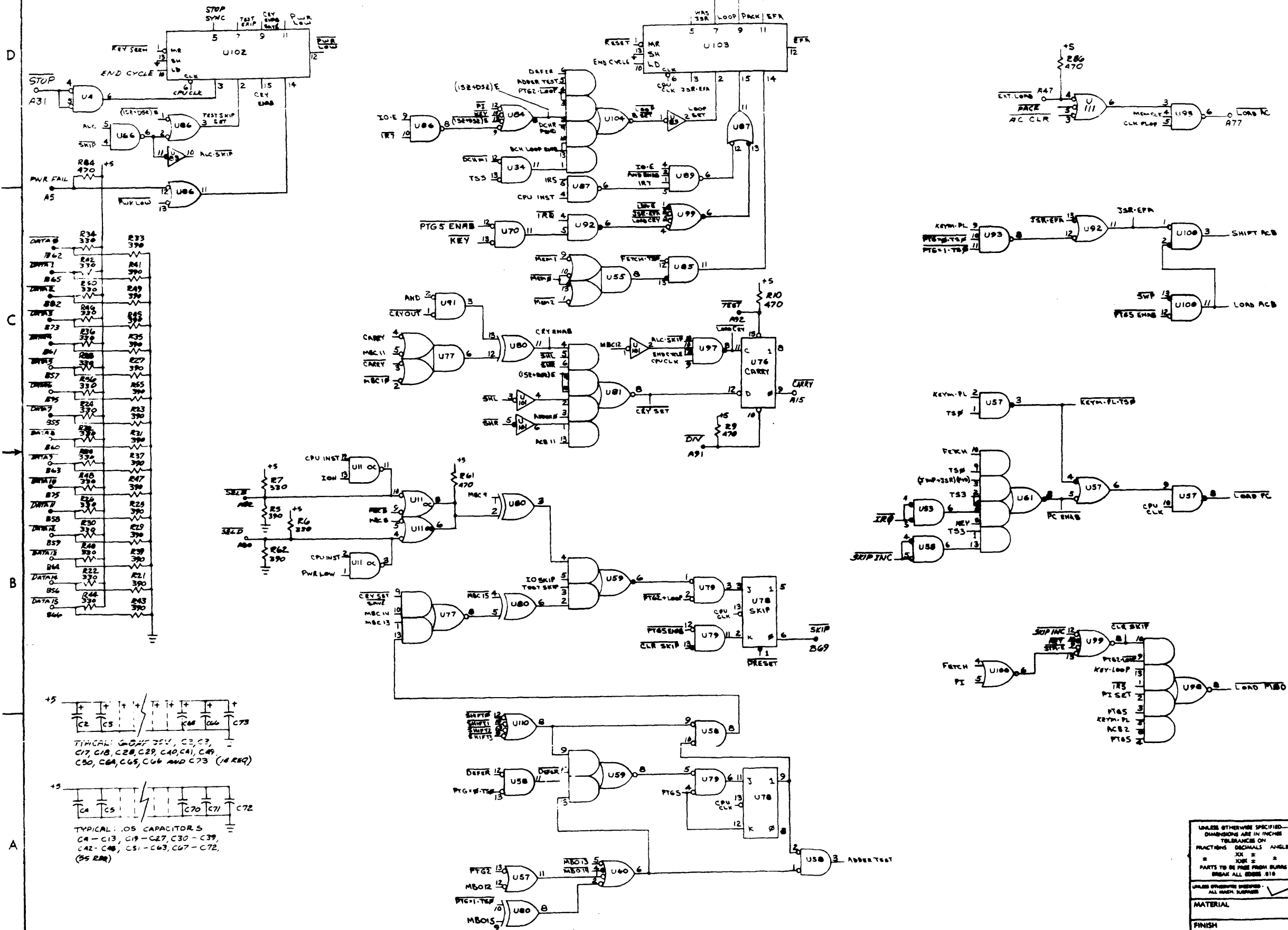


UNLESS OTHERWISE SPECIFIED—DIMENSIONS ARE IN INCHES. TOLERANCES ON FRACTIONS: DECIMALS: ANGLES: JOG: 2		QTY	DESCRIPTION	PART NO
PARTS TO BE FREE FROM BURRS. BREAK ALL EDGES 0.10		CHECKED		
UNLESS OTHERWISE SPECIFIED—ALL RADIUS		ENGINEER		
MATERIAL		APPROVED		
FINISH		FIRST USED ON	107-000083	
		SCALE		

<b>DATA GENERAL CORPORATION</b>				
SOUTHBORO, MASSACHUSETTS 01772				
TITLE				
CPU NOVA 1200				
SIZE CODE	D	001	DRAWING NUMBER	000088
			REV	15

THIS DRAWING AND SPECIFICATION HEREIN ARE THE PROPERTY OF DATA GENERAL CORPORATION AND SHALL NOT BE REPRODUCED OR COPIED OR USED IN WHOLE OR IN PART AS THE BASIS FOR MANUFACTURE OR SALE OF ITEMS WITHOUT WRITTEN PERMISSION.

REVISIONS				
REV	DESCRIPTION	DRFTG	APP BY	DATE
01	REVISED PER MKC PRINT	EMS		11/17/70
02	REVISED PER ECO 117	RUS		2/1/71
03	REV PER ECO 138 SHEET 1	RHS		2/2/71
04	REV PER ECO 148	RHS		11/71
05	REV PER ECO 194 209	RHS		2/9/71
06	ADD REF DESIG 78 ECO 306	RHS		1/7/71
14	REV PER ECO 992	RHS		1/7/72

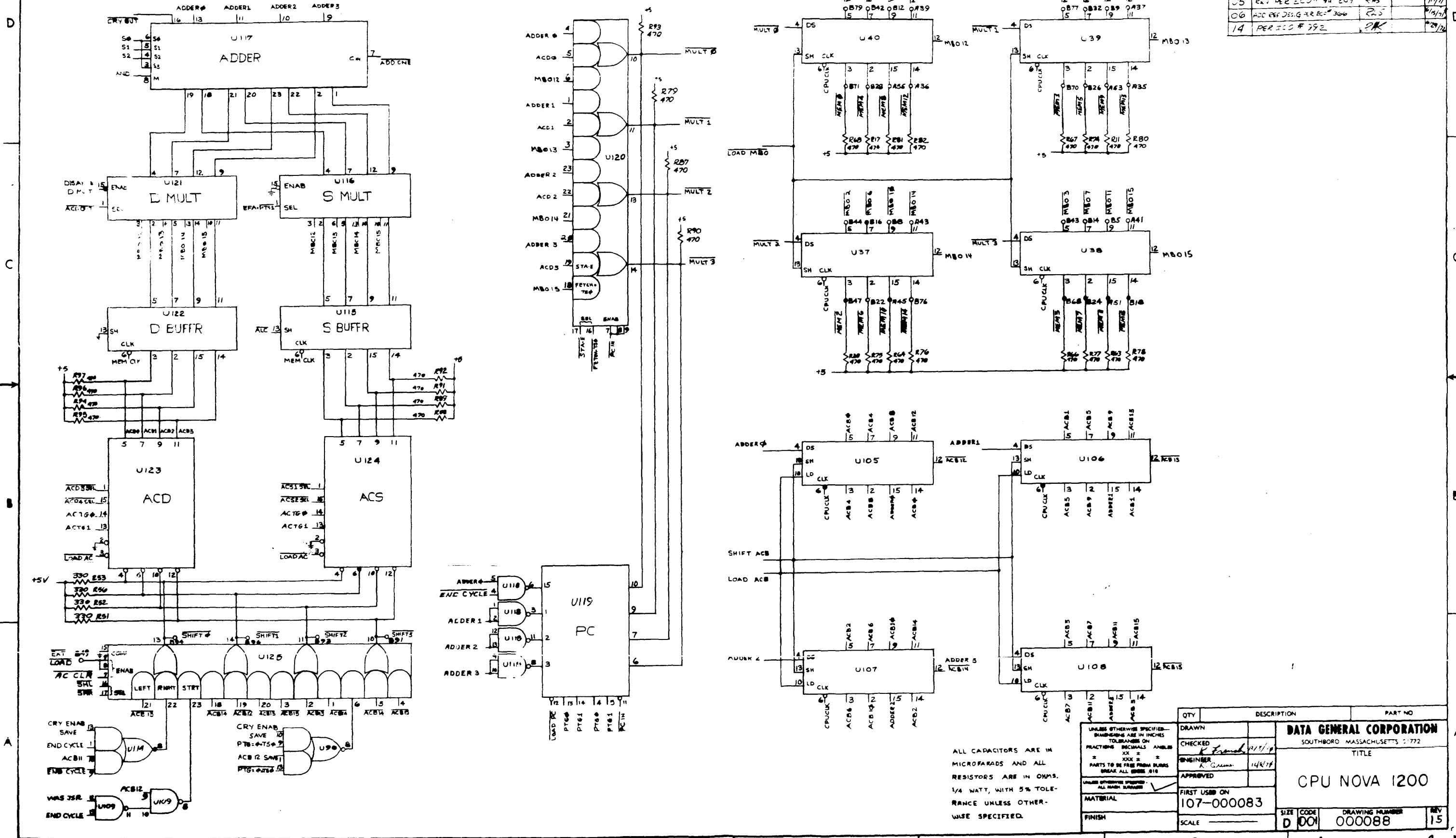


QTY	DESCRIPTION	PART NO
	BRAWN	
	CHECKED	
	ENGINEER	
	APPROVED	
	FIRST USED ON	
	MATERIAL	
	FINISH	
107-000083		
SCALE		

UNLESS OTHERWISE SPECIFIED—DIMENSIONS ARE IN INCHES TOLERANCES ON DIMENSIONS ON ANGLES		<b>DATA GENERAL CORPORATION</b> SOUTH BORO, MASSACHUSETTS 01771 TITLE <b>CPU NOVA 1200</b> DRAWING NUMBER <b>000088</b> REV <b>15</b>
PARTS TO BE FREE FROM BURST BREAK ALL BORES .010		
UNLESS OTHERWISE SPECIFIED—ALL DIMENSIONS SHOWN		
MATERIAL		

THE DRAWING AND SPECIFICATIONS HEREIN ARE THE PROPERTY OF DATA GENERAL CORPORATION AND SHALL NOT BE REPRODUCED IN ANY MANNER OR IN ANY MEDIUM WITHOUT THE WRITTEN PERMISSION OF DATA GENERAL CORPORATION.

REVISIONS				
REV	DESCRIPTION	DRAFT	APP BY	DATE
01	REVISED PER REV PRINT	RAS		11/17/70
02	REV PER ECO 117 SHEET 3	RAS		12/1/70
03	REV PER ECO 138 SHEET 1	RAS		12/22/70
04	REV PER ECO 148	RAS		1/14/71
05	REV PER ECO # 94 209	RAS		2/19/71
06	ADD REV DESIG PER ECO # 306	RAS		6/15/71
14	PER ECO # 392	RAS		8/27/72



ALL CAPACITORS ARE IN MICROFARADS AND ALL RESISTORS ARE IN OHMS. 1/4 WATT, WITH 5% TOLERANCE UNLESS OTHERWISE SPECIFIED.

QTY	DESCRIPTION	PART NO
	<b>DATA GENERAL CORPORATION</b>	
	SOUTHBORO, MASSACHUSETTS 01772	
	TITLE	
	CPU NOVA 1200	
	SIZE	CODE
	D	001
	DRAWING NUMBER	REV
	000088	15