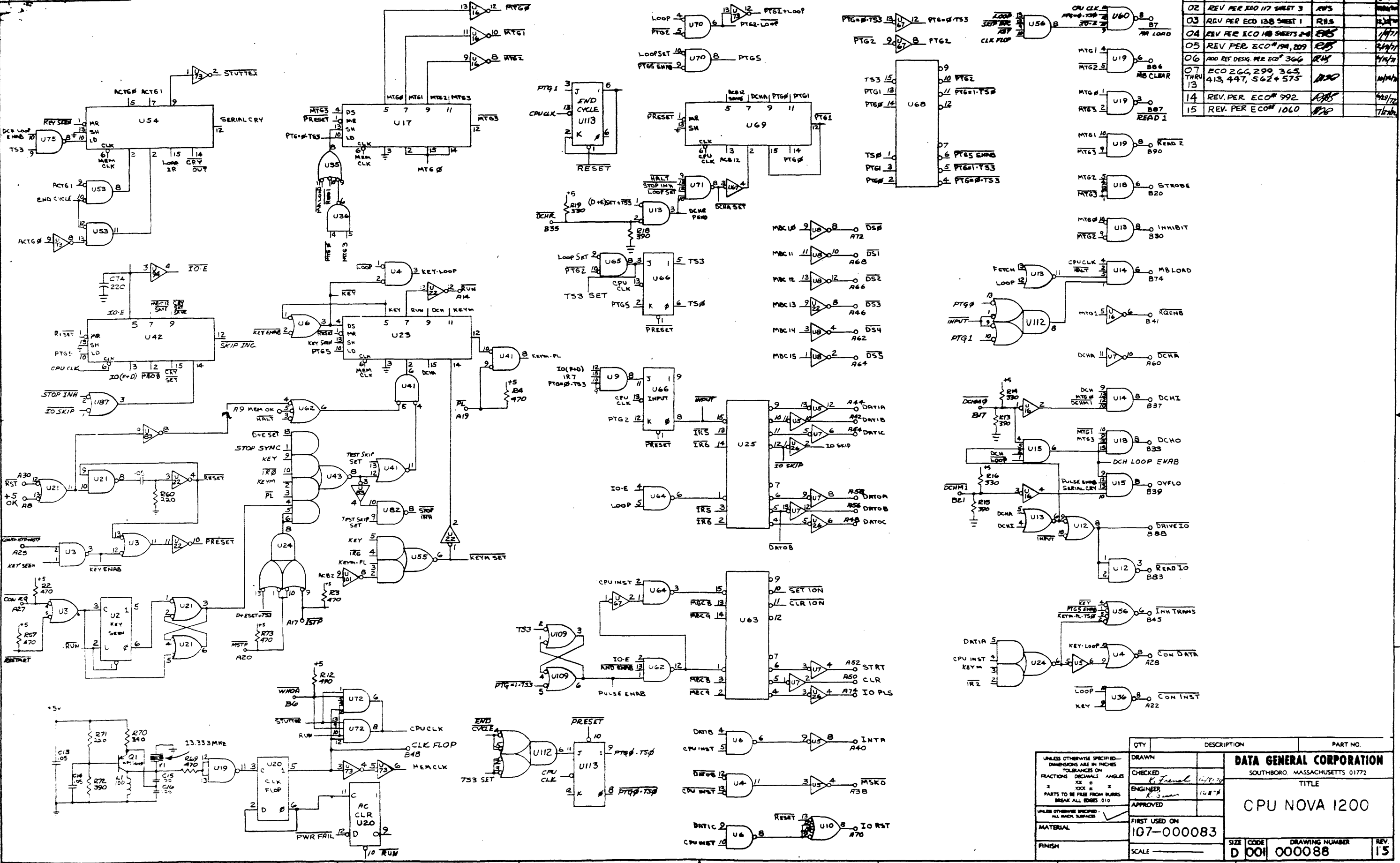


THE DRAWING AND SPECIFICATIONS HEREIN ARE THE PROPERTY OF DATA GENERAL CORPORATION AND SHALL NOT BE REPRODUCED OR COPIED OR USED IN WHOLE OR IN PART AS THE BASIS FOR MANUFACTURE OR SALE OF ANY EQUIPMENT WITHOUT WRITTEN PERMISSION.

REVISIONS				
REV.	DESCRIPTION	DRFTG.	APP. BY	DATE
01	REVISED PER AWD PRINT	DBS		10/1/78
02	REV PER ECO 117 SHEET 3	RWS		10/1/78
03	REV PER ECO 138 SHEET 1	RWS		10/1/78
04	REV PER ECO 148 SHEETS 2-4	RWS		10/1/78
05	REV PER ECO # 194, 209	RWS		10/1/78
06	ADD REF. DESIG. PER ECO # 366	RWS		10/1/78
07	ECO 266, 299, 365, 413, 447, 562 + 575	RWS		10/1/78
13	THRU 13			
14	REV. PER ECO # 992	RWS		10/1/78
15	REV. PER ECO # 1060	RWS		10/1/78



QTY	DESCRIPTION	PART NO.
	DATA GENERAL CORPORATION	
	SOUTHBORO, MASSACHUSETTS 01772	
	TITLE	
	CPU NOVA 1200	
	FIRST USED ON	
	107-000083	
	SCALE	DRAWING NUMBER
		000088
		REV. 15

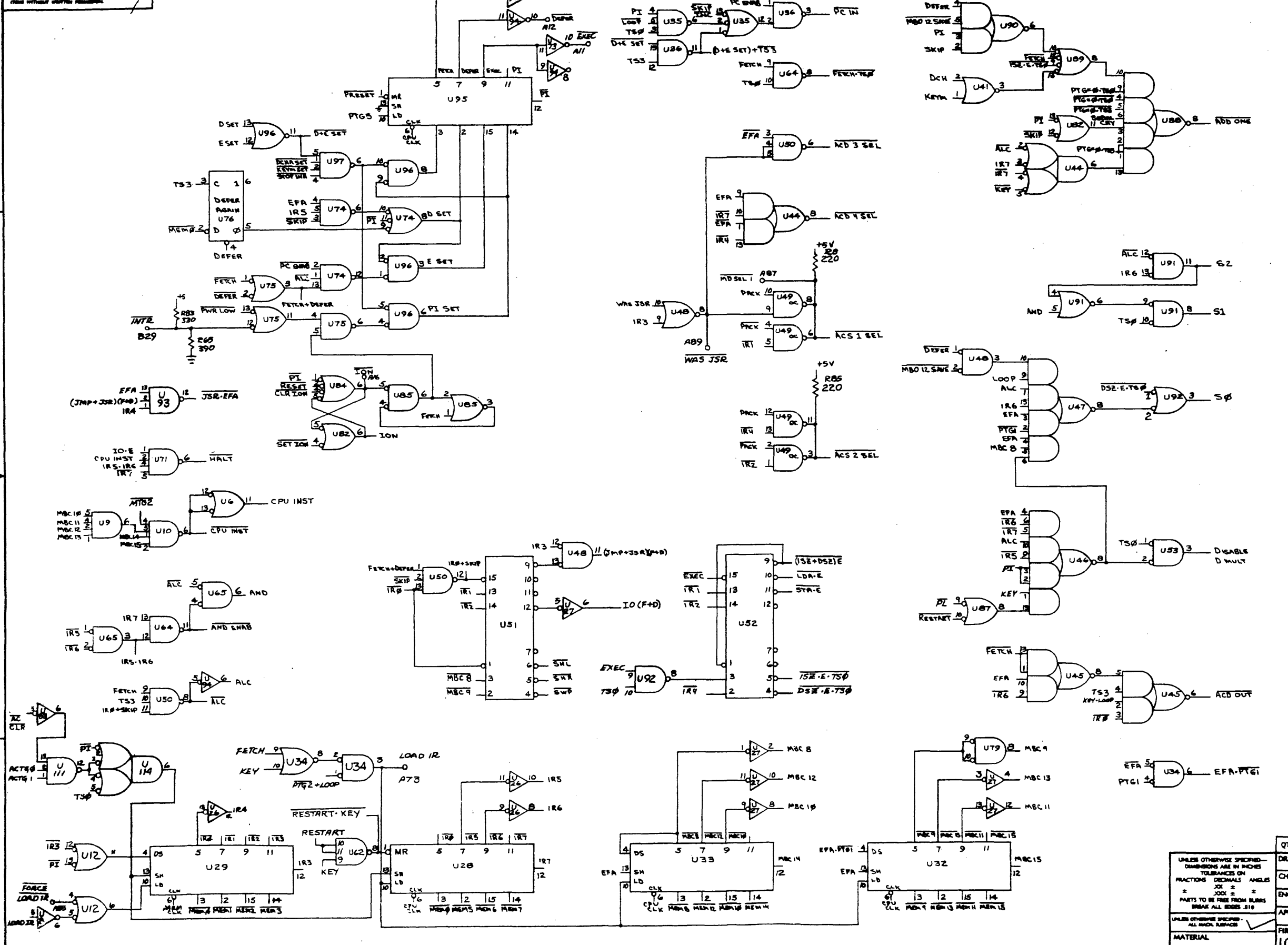
THIS DRAWING AND THE INFORMATION CONTAINED HEREIN ARE THE PROPERTY OF DATA GENERAL CORPORATION AND SHALL BE REPRODUCED OR COPIED IN WHOLE OR IN PART BY ANY OTHER ENTITY WITHOUT WRITTEN PERMISSION.

D

C

B

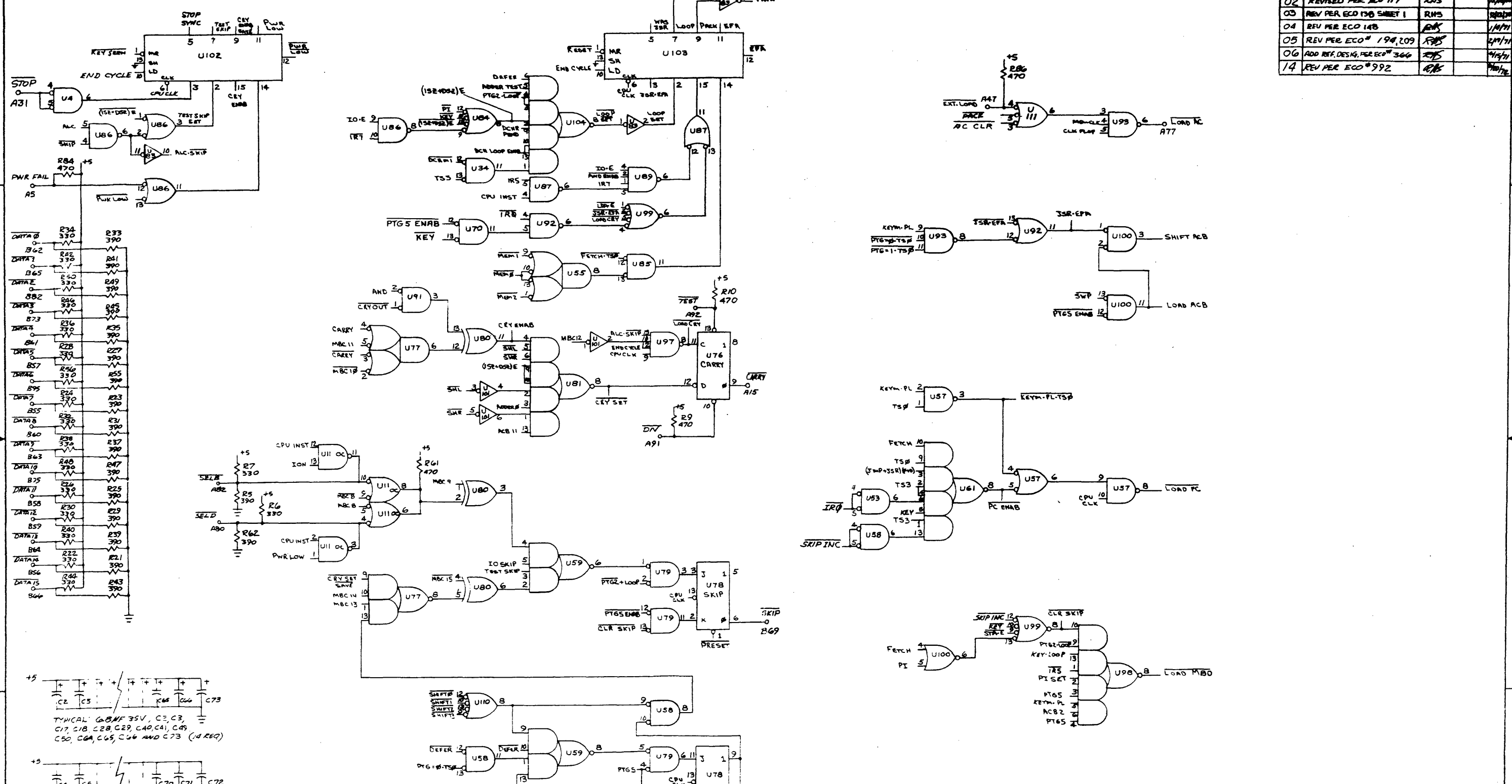
A



REVISIONS				
REV.	DESCRIPTION	DRFTG.	APP. BY	DATE
01	REV PER SHEET 1	R/S		
02	REV PER ECO #7 SHEET 3	R/S		
03	REV PER ECO #15 SHEET 1	R/S		
04	REV PER ECO #18	R/S		
05	REV PER ECO #199,209	R/S		
06	ADD REF. DESIG. PER REV 366	R/S		
14	REV PER ECO #992	R/S		

QTY.	DESCRIPTION	PART NO.
	DATA GENERAL CORPORATION SOUTHBORO, MASSACHUSETTS 01772 TITLE CPU NOVA 1200	
	DRAWN CHECKED ENGINEER APPROVED	
	FIRST USED ON 107-000083	
	MATERIAL FINISH	
	SCALE	
	SIZE D 001	DRAWING NUMBER 000088
		REV 15

THE DRAWING AND SPECIFICATIONS HEREIN ARE THE PROPERTY OF DATA GENERAL CORPORATION AND SHALL NOT BE REPRODUCED OR COPIED IN WHOLE OR IN PART AS THE SAME FOR MANUFACTURE OR SALE OF THEM WITHOUT WRITTEN PERMISSION.



TYPICAL .05 CAPACITORS
 C1 - C13, C19 - C27, C30 - C39,
 C42 - C48, C51 - C63, C67 - C72,
 (5% RES)

TYPICAL .05 CAPACITORS
 C1 - C13, C19 - C27, C30 - C39,
 C42 - C48, C51 - C63, C67 - C72,
 (5% RES)

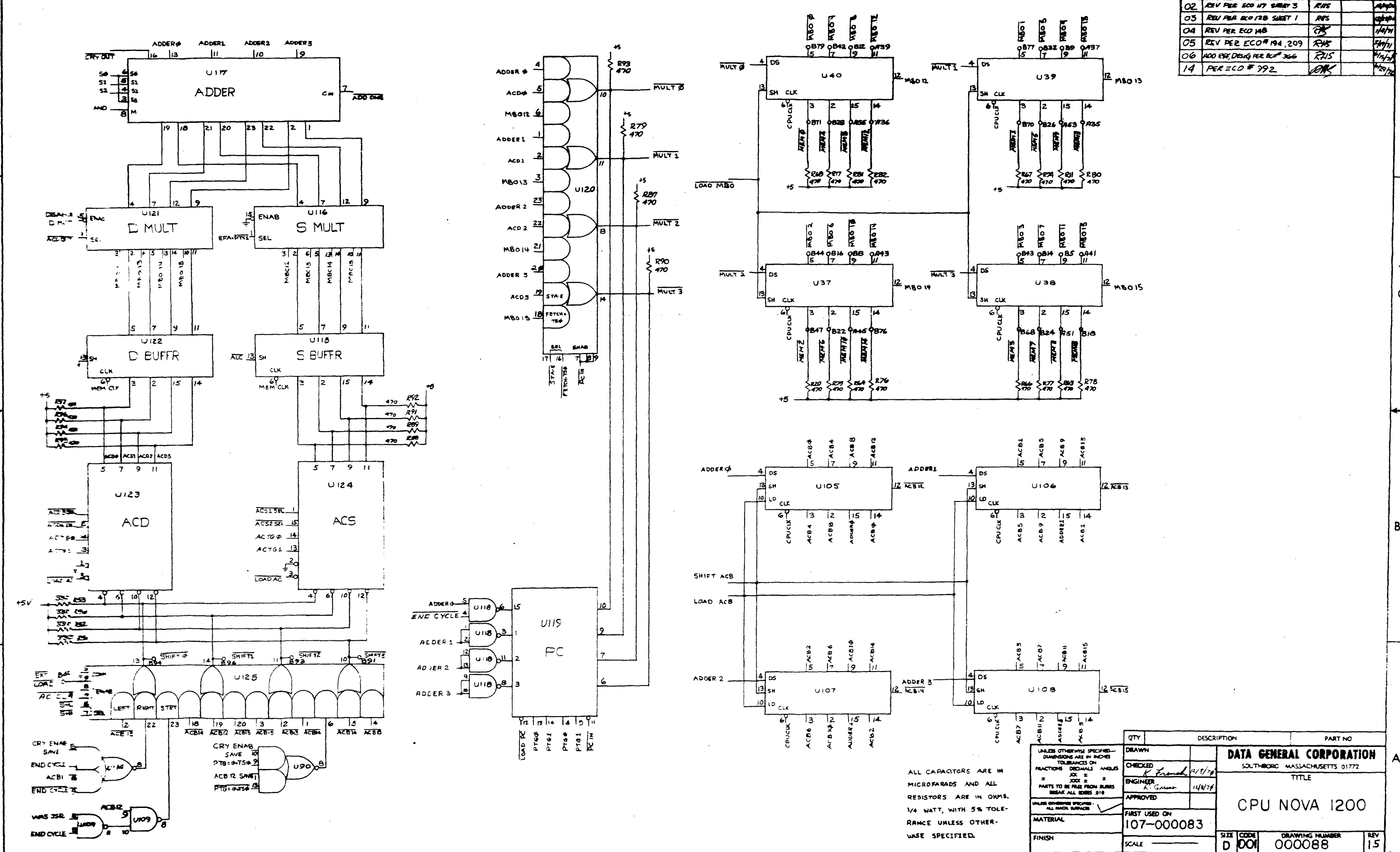
REVISIONS				
REV.	DESCRIPTION	DRFTG.	APP. BY	DATE
01	REVISED PER ECD 117	RMS		1/14/74
02	REVISED PER ECD 136 SHEET 1	RMS		1/14/74
03	REV PER ECD 148	RMS		1/14/74
04	REV PER ECD 194, 209	RMS		1/14/74
06	ADD REF. DESIG. PER ECD 366	RMS		1/14/74
14	REV PER ECD #992	RMS		1/14/74

QTY	DESCRIPTION	PART NO
	DRAWN	
	CHECKED	
	ENGINEER	
	APPROVED	
	FIRST USED ON	
	MATERIAL	
	FINISH	
	SCALE	

UNLESS OTHERWISE SPECIFIED - DIMENSIONS ARE IN INCHES		TOLERANCES ON FRACTIONS DECIMALS ANGLES	
= PARTS TO BE FREE FROM BURRS		BREAK ALL EDGES .010	
UNLESS OTHERWISE SPECIFIED - ALL MACH SURFACES			
DRAWN		DATA GENERAL CORPORATION	
CHECKED		SOUTHBORO MASSACHUSETTS 01772	
ENGINEER		TITLE	
APPROVED		CPU NOVA 1200	
FIRST USED ON		SIZE	DRAWING NUMBER
107-000083		D 001	000088
MATERIAL		REV	15
FINISH			

THIS DRAWING AND INFORMATION HEREON ARE THE PROPERTY OF DATA GENERAL CORPORATION AND ARE NOT TO BE REPRODUCED OR TRANSMITTED IN ANY FORM OR BY ANY MEANS, ELECTRONIC OR MECHANICAL, INCLUDING PHOTOCOPYING, RECORDING, OR BY ANY INFORMATION STORAGE AND RETRIEVAL SYSTEM.

REVISIONS				
REV.	DESCRIPTION	DRFTE.	APP. BY	DATE
01	REVISED PER ECO #101	RHS		11/17/71
02	REV PER ECO #173 SHEET 3	RHS		11/17/71
03	REV PER ECO #178 SHEET 1	RHS		11/17/71
04	REV PER ECO #180	RHS		11/17/71
05	REV PER ECO #194, 209	RHS		11/17/71
06	ADD EFB, DESIG PER ECO #366	RHS		11/17/71
14	PER ECO #392	RHS		11/17/71



ALL CAPACITORS ARE IN MICROFARADS AND ALL RESISTORS ARE IN OHMS. 1/4 WATT, WITH 5% TOLERANCE UNLESS OTHERWISE SPECIFIED.

QTY	DESCRIPTION	PART NO
	DATA GENERAL CORPORATION SOUTH-BORO MASSACHUSETTS 01772 TITLE CPU NOVA 1200	
	DRAWN CHECKED ENGINEER APPROVED FIRST USED ON MATERIAL FINISH	SCALE SIZE CODE DRAWING NUMBER REV
	107-000083	D 001 000088 15