

BREAKDOWN OF ALL SOFTWARE IN THE PRODUCT INDEX FILE

MODEL NO.	COMPONENT	REV	QTY/PER	PART DESCRIPTION
4240	M			INTERPROCESSOR BUFFER
		005001969	001	ASSY DFC PKG 4240 *
		001000614	001	SCHEM IPR 4240
		014000056	001	TECH REF IPR 4240
		005002520	001	ASSY D/P INTERSCR BFR TAPES & MANUALS*
		095000177	001	DIAG AD IPR DIAGNOSTIC
		095000178	001	DIAG AB IPR RELIABILITY
		096000150	001	DIAG LS IPR DIAGNOSTIC
		096000157	001	DIAG LS IPR RELIABILITY
		008000194	001	WL CA INT GP RD RD
		008000426	001	WL CA INT GP RD RD N2
		008000465	001	W/L TEST PLUG INTERSCR BFR 1200/800
		008000465	A001	W/L TEST PLUG INTERSCR BFR 1200/800
		008000486	001	WL TST PL INTERSCR BFR 1210, 20, 820, N2
		008000487	001	WL CA INT 1200, 800 4240
		008000467	A001	WL CA INT 1200, 800 4240

4240 I.P.B.

Daisy Chain The Following Groups

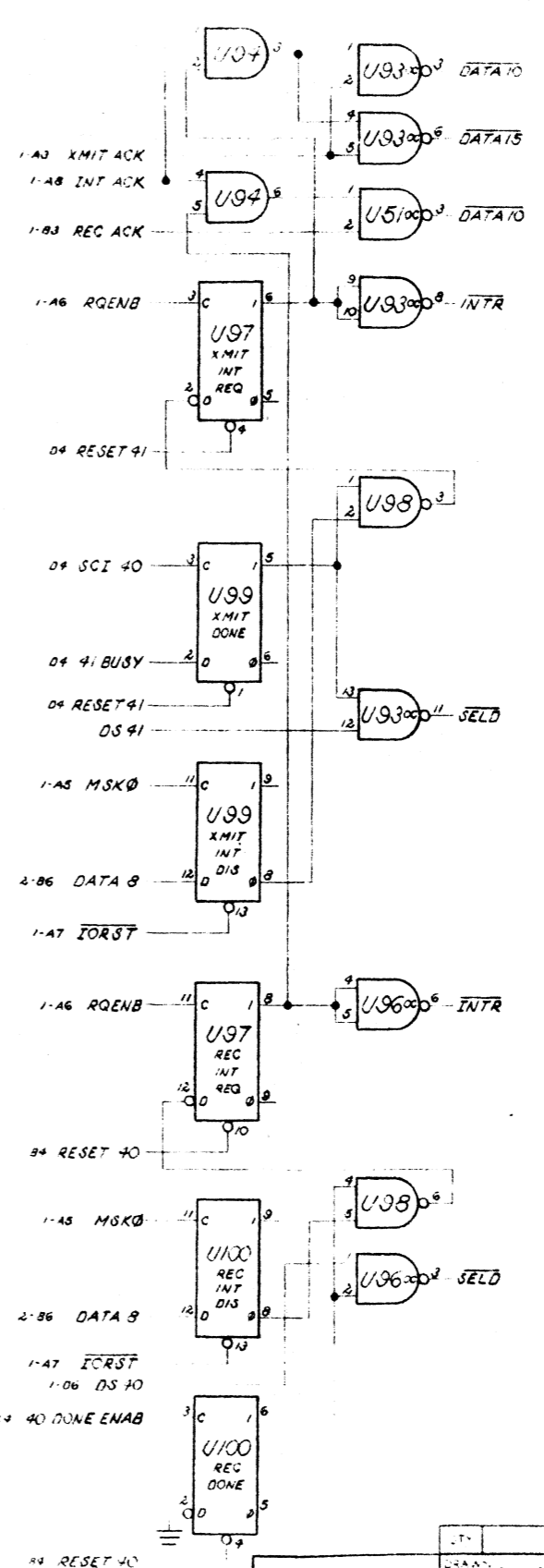
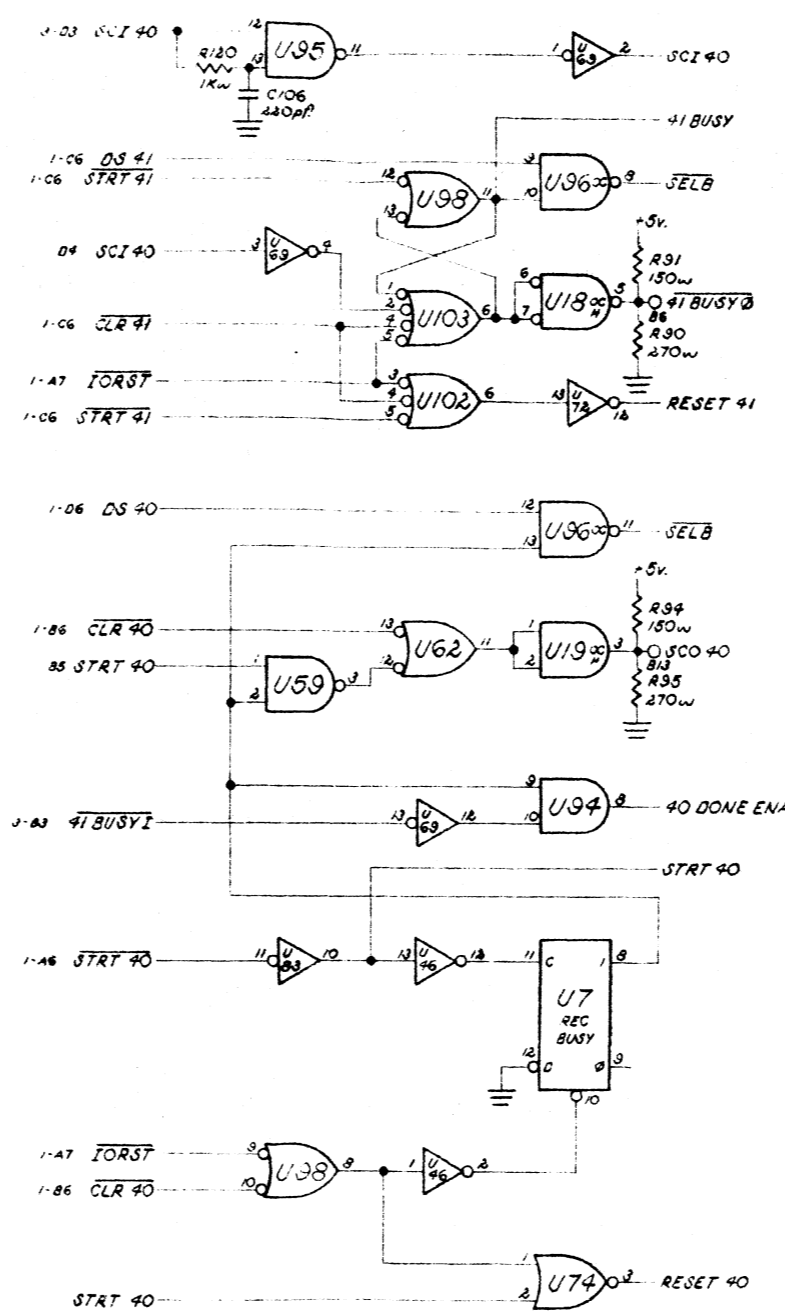
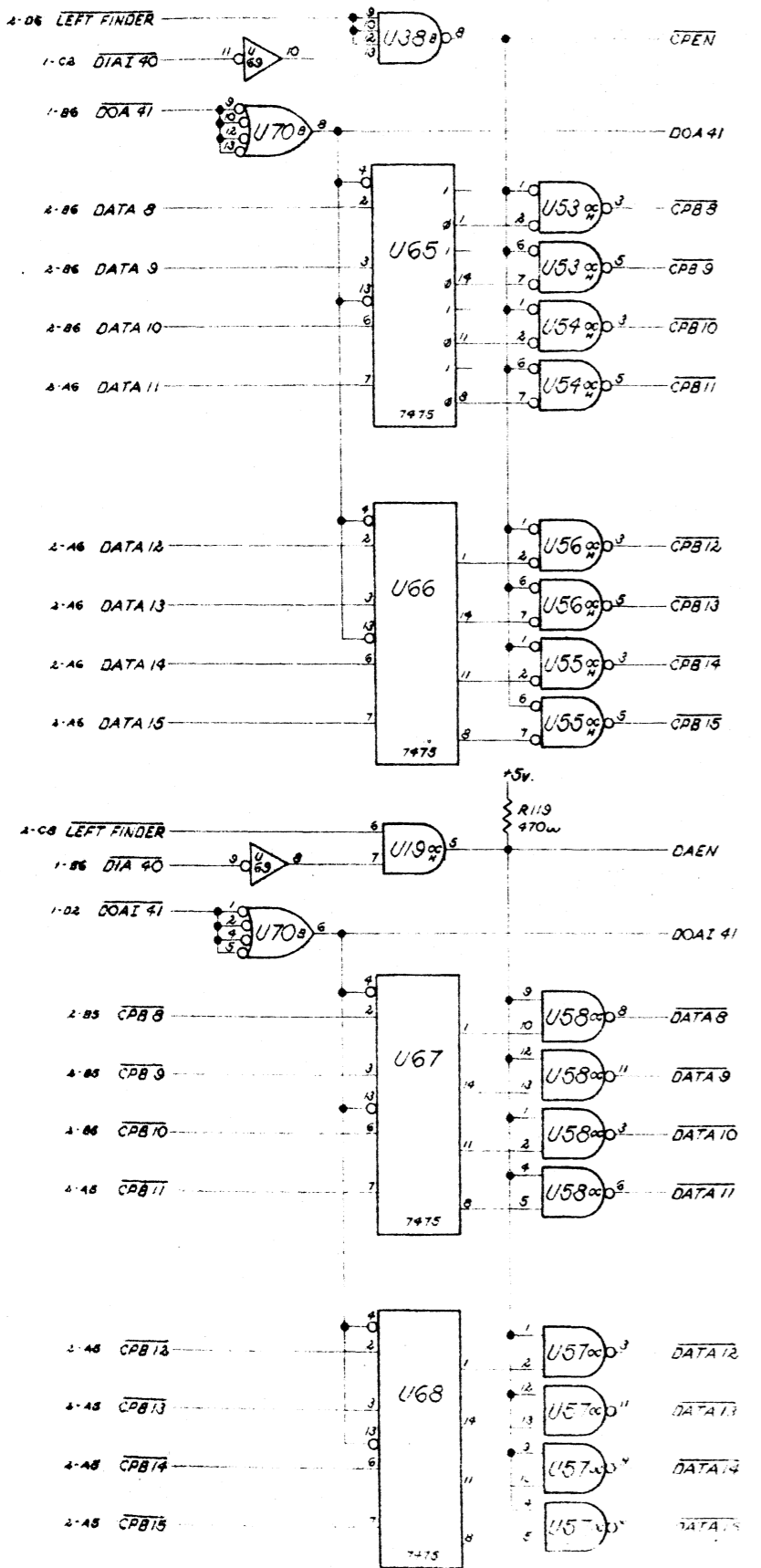
- 1) A86 DOR 0
B49 DOR I
B27 DIA I
- 2) A84 DSO 41
B19 DSI 41
B15 DSI 40
- 3) A89 IORST 0
B36 IORST I
- 4) A49 DSO 36
B23 DSI 36
- 5) A79 DSO 37
B25 DSI 37
- 6) A83 STRT 0
B31 IPI
- 7) A88 IPO
B51 STRT I
- 8) B6 41 Busy 0
B38 41 Busy I
B48 Left Finder
- 9) B13 SCO 40
B53 SCI 40
- 10) B11 CLR 0
B52 CLR I

11) A87 ~~DI8 0~~
~~B34~~ ~~DI8 I~~

12) A90 36 Busy 0
B40 36 Busy I

THIS DRAWING AND SPECIFICATIONS HEREIN ARE THE PROPERTY OF DATA GENERAL CORPORATION AND SHALL NOT BE REPRODUCED OR COPIED OR USED IN WHOLE OR IN PART AS THE BASIS FOR MANUFACTURE OR SALE OF THIS OR WITHOUT WRITTEN PERMISSION.

REVISIONS			
REV	DESCRIPTION	DRFTG	APP BY DATE



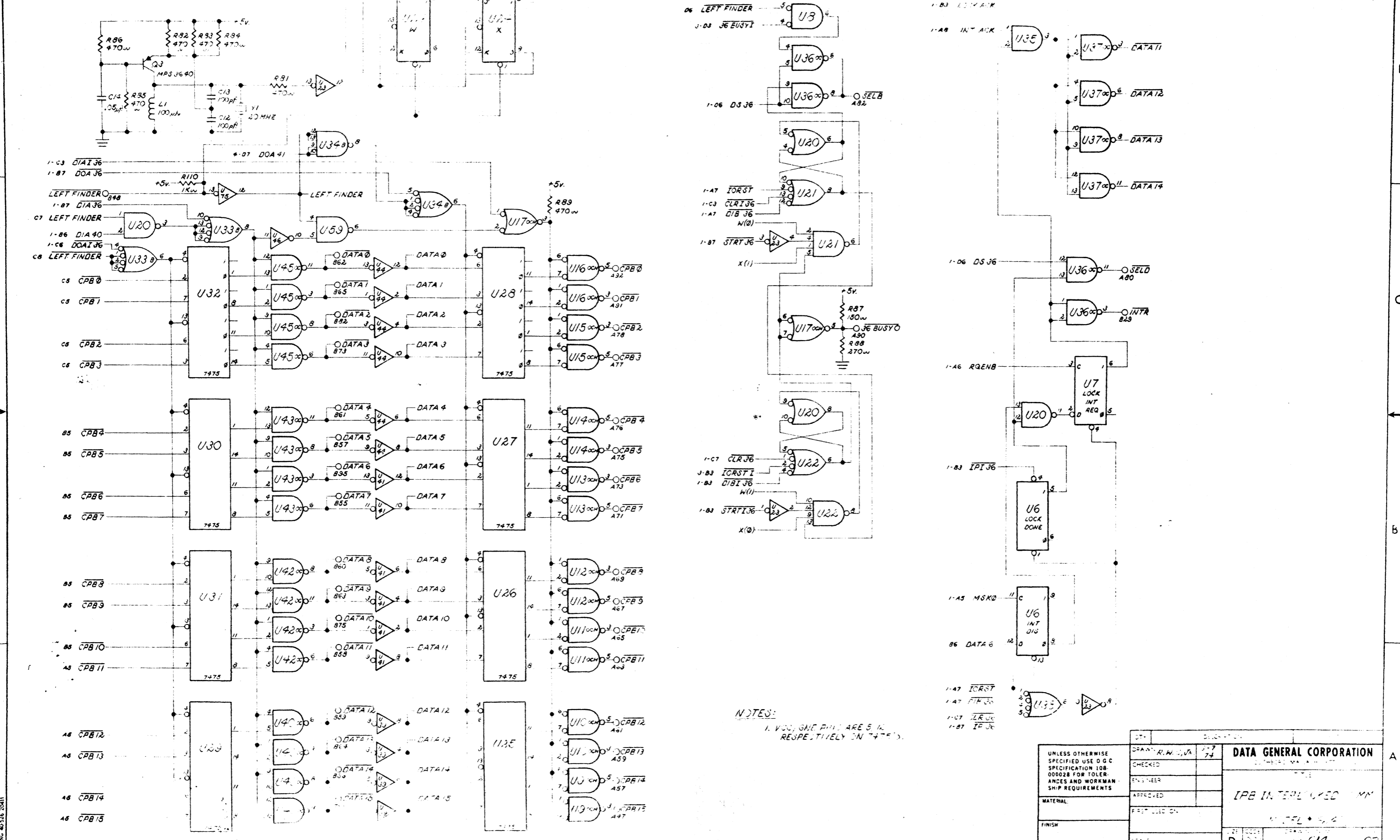
NOTES:
1. VCC/GND PINS ARE 5/12 RESPECTIVELY ON 7475'S

UNLESS OTHERWISE SPECIFIED USE D.G.C. SPECIFICATION 108-000028 FOR TOLERANCES AND WORKMANSHIP REQUIREMENTS		DESCRIPTION		DATE	
DRAWN	W. J. W.	4-13	74	DATA GENERAL CORPORATION	
CHECKED				IPB	
ESTIMATED				N.Y. INTERLOCKED PLAN	
APPROVED				M. DEL. 4-2-74	
MATERIAL					
FINISH					
DATE	D	10	000		

DRAWING 40-536 00A1

THIS DRAWING AND SPECIFICATIONS HEREIN ARE THE PROPERTY OF DATA GENERAL CORPORATION AND SHALL NOT BE REPRODUCED OR COPIED OR USED IN WHOLE OR IN PART AS THE BASIS FOR MANUFACTURE OR SALE OF ITEMS WITHOUT WRITTEN PERMISSION

REVISIONS			
REV	DESCRIPTION	DATE	APP BY



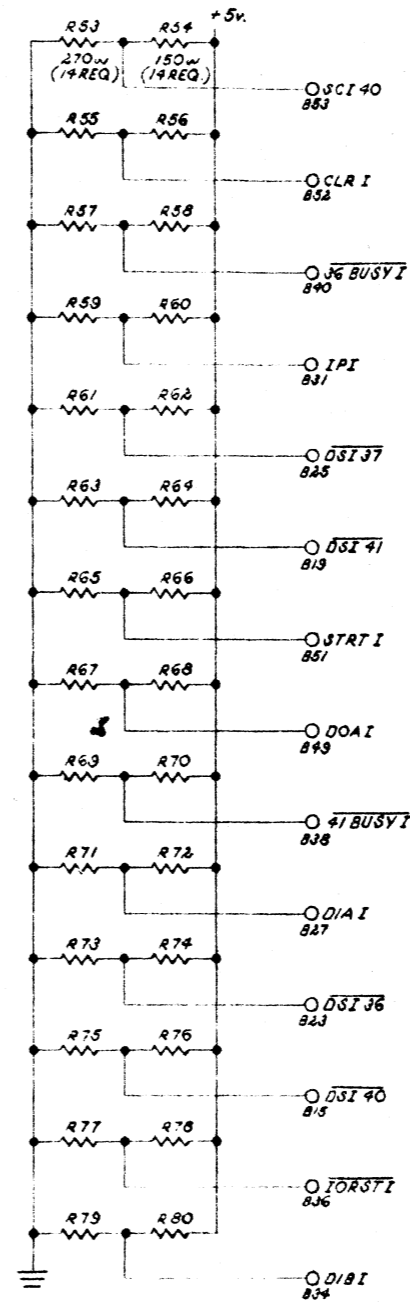
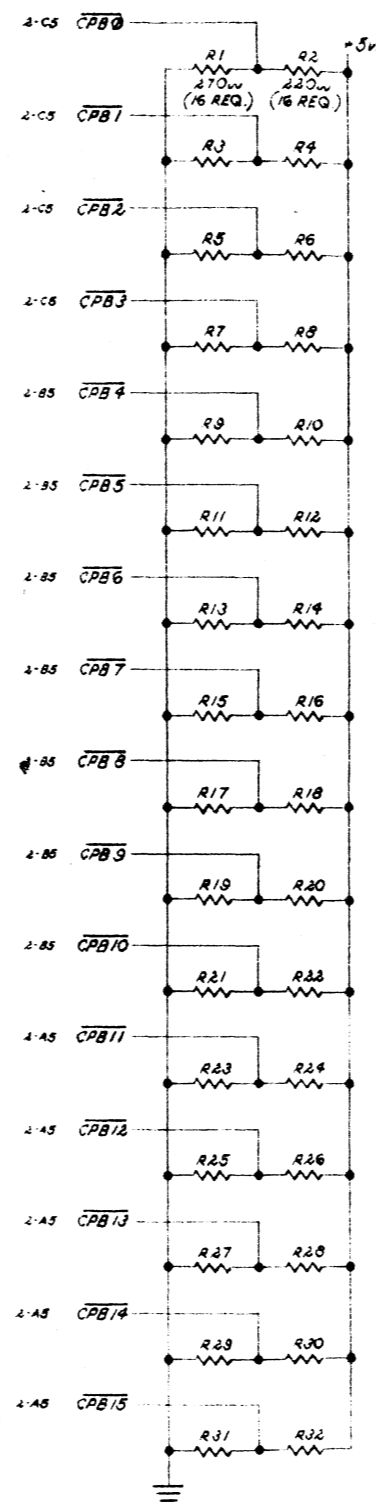
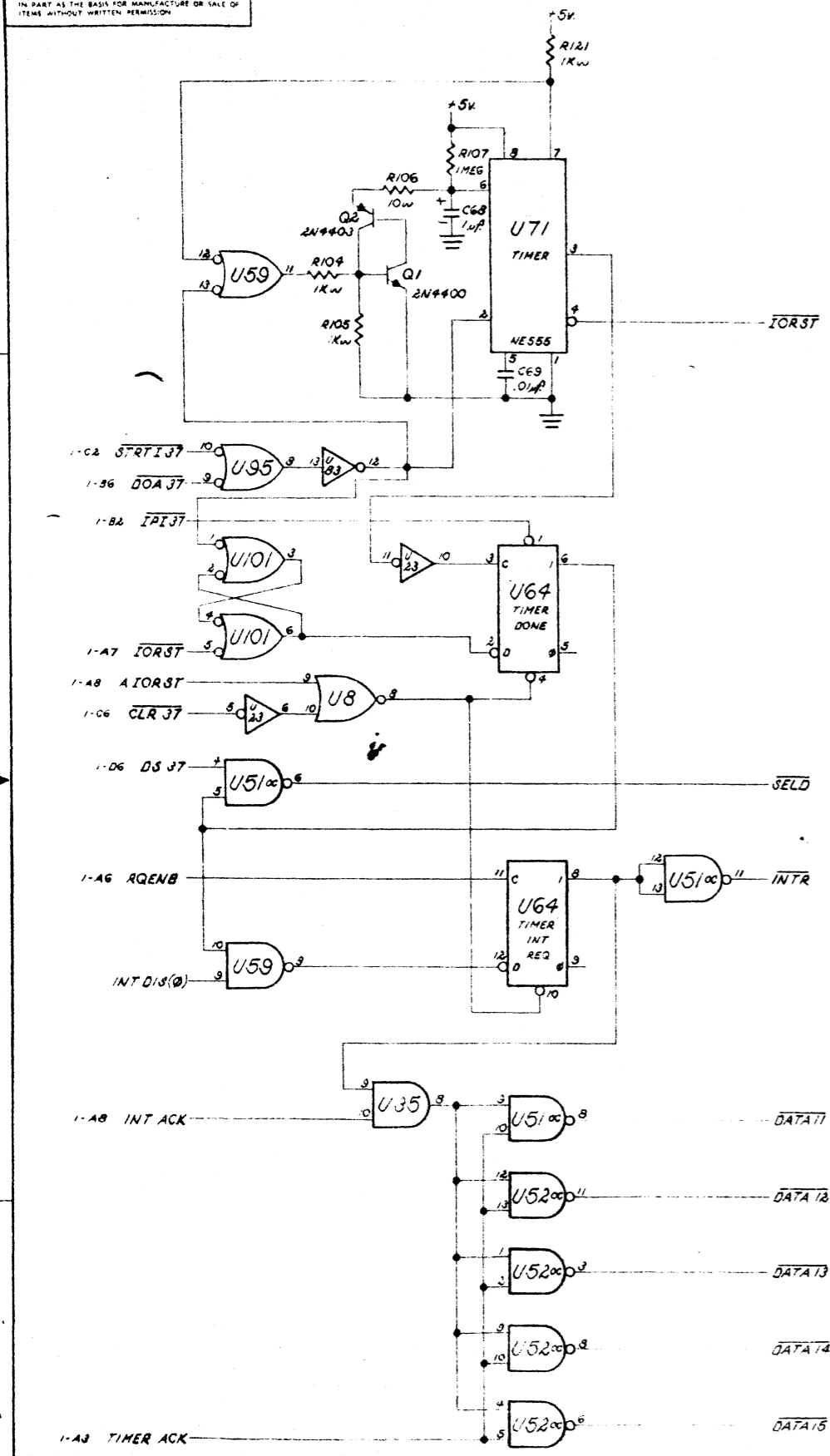
NOTES:
1. VCC AND GND ARE 5V AND GROUND RESPECTIVELY ON 7475'S.

UNLESS OTHERWISE SPECIFIED USE D.G.C. SPECIFICATION 100-000028 FOR TOLERANCES AND WORKMANSHIP REQUIREMENTS	DRAWN	DATE	DATA GENERAL CORPORATION 100-000028 IPB INTERLOCKED MM
	CHECKED	DATE	
	ENGINEER	DATE	
	APPROVED	DATE	
MATERIAL	DATE	SCALE	REV. NO.
FINISH	DATE	SCALE	REV. NO.

BRUNING 40-526-20411

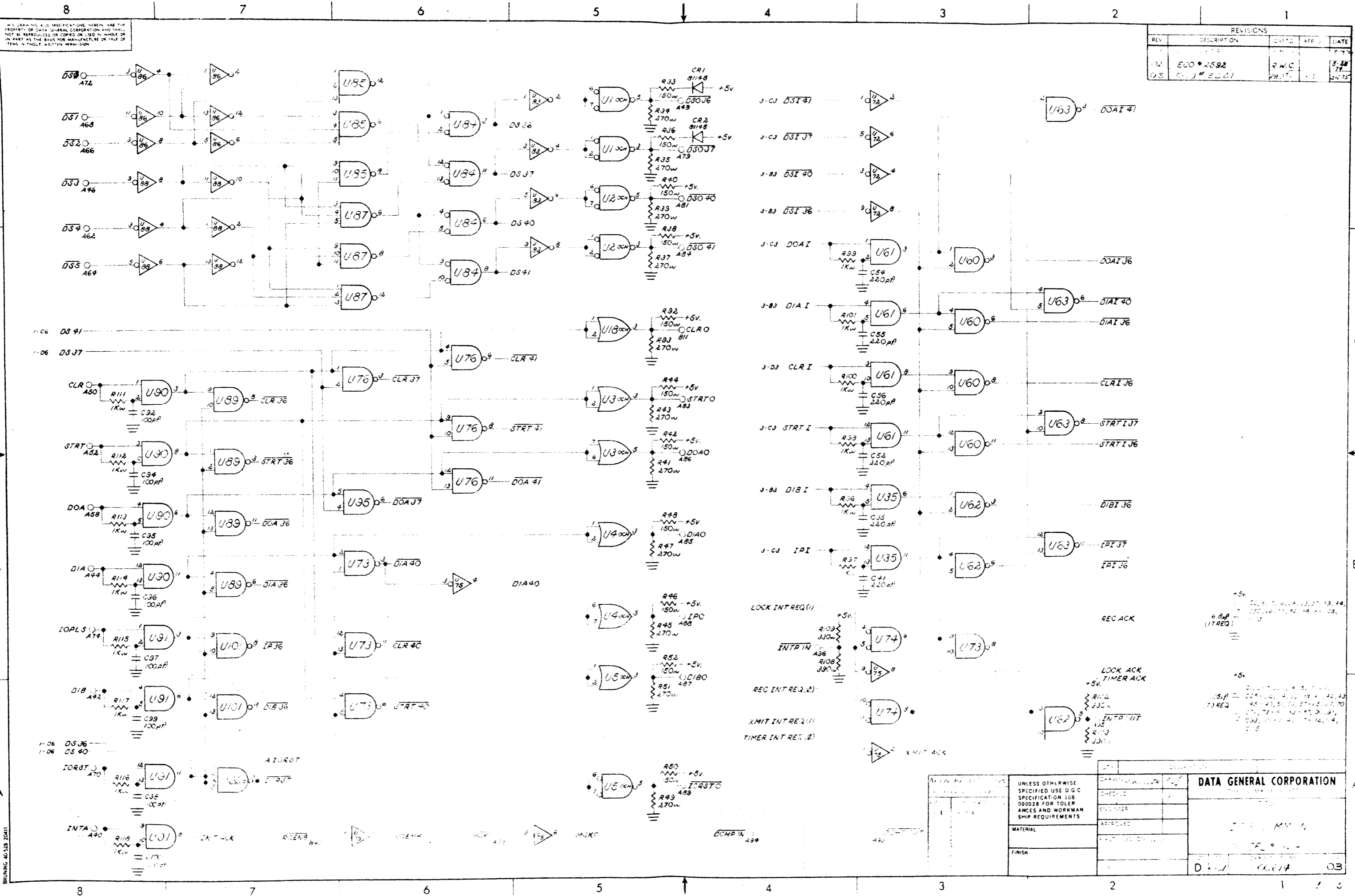
THIS DRAWING AND SPECIFICATIONS HEREIN ARE THE PROPERTY OF DATA GENERAL CORPORATION AND SHALL NOT BE REPRODUCED OR COPIED OR USED IN WHOLE OR IN PART AS THE BASIS FOR MANUFACTURE OR SALE OF ITEMS WITHOUT WRITTEN PERMISSION.

REVISIONS			
REV	DESCRIPTION	DRAFTG	APP BY DATE



UNLESS OTHERWISE SPECIFIED USE D.G.C. SPECIFICATION 08-000028 FOR TOLERANCES AND WORKMANSHIP REQUIREMENTS		QTY	DESCR PT ON	DATA GENERAL CORPORATION SOUTH BRIDGE, MASSACHUSETTS	
DRAWN	R. W. C. JR	74		INTERVAL TIMER TERMINATORS (MODEL # 4840)	
CHECKED					
ENGINEER					
APPROVED					
FIRST USED ON					
MATERIAL				SIZE	CODE
FINISH				D	001
				SCALE	000219
					03

DRAWING 40-556 20-11



THIS DRAWING AND SPECIFICATIONS HEREIN ARE THE PROPERTY OF DATA GENERAL CORPORATION AND SHALL NOT BE REPRODUCED OR COPIED OR USED IN WHOLE OR IN PART AS THE BASIS FOR MANUFACTURE OR SALE OF ITEMS WITHOUT WRITTEN PERMISSION

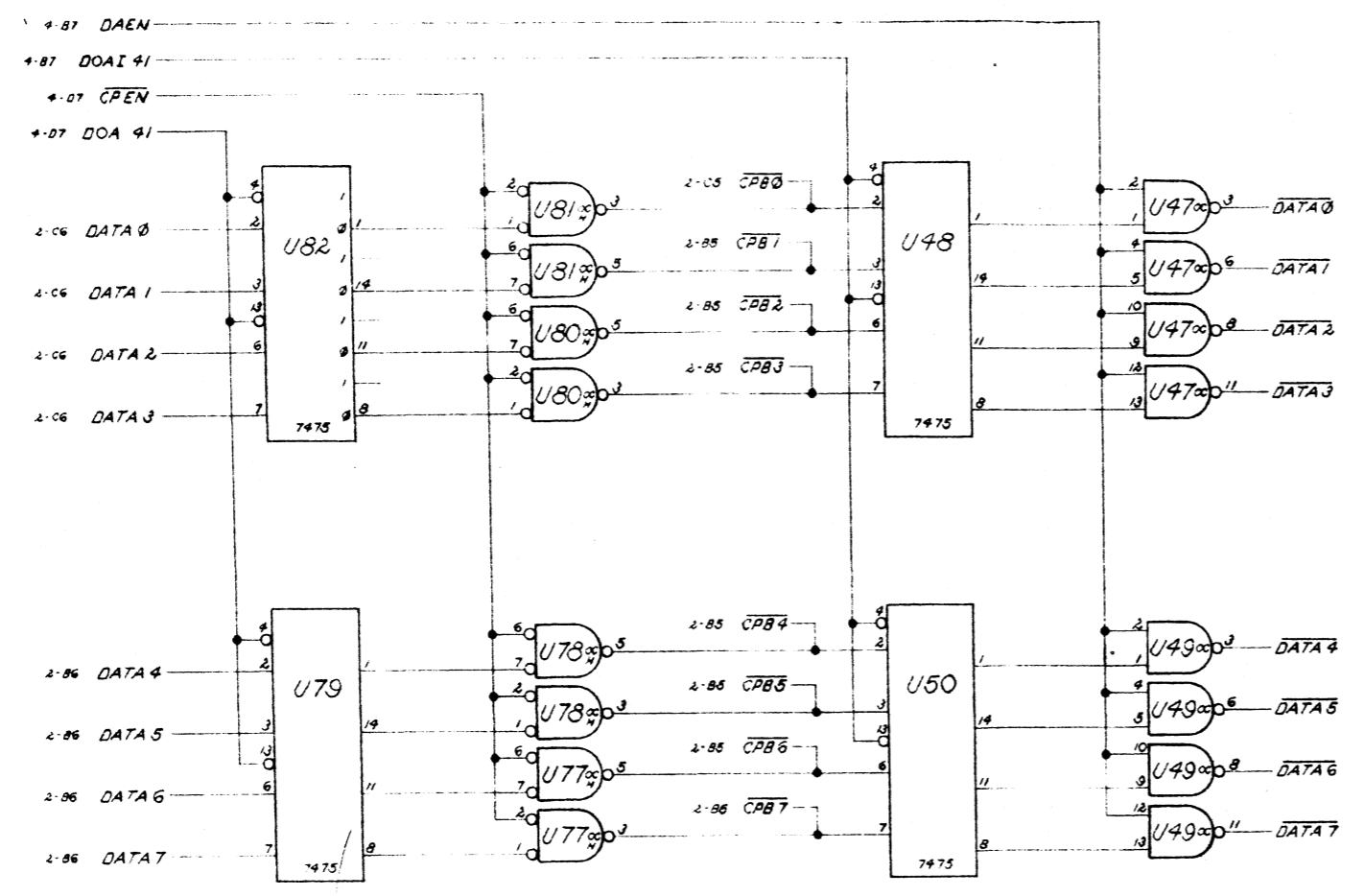
REVISIONS				
REV	DESCRIPTION	DATE	APP	DATE
02	EUD # 2592			5-78
03	03-01-81			5-78

UNLESS OTHERWISE SPECIFIED USE D.G.C. SPECIFICATION 108 000028 FOR TOLERANCES AND WORKMANSHIP REQUIREMENTS		DATA GENERAL CORPORATION	
MATERIAL		DESIGNED BY	
FINISH		ENGINEER	
		APPROVED	
		DATE	
		BY	
		DATE	

DRAWING 40-252 2041

THIS DRAWING AND SPECIFICATIONS HEREIN ARE THE PROPERTY OF DATA GENERAL CORPORATION AND SHALL NOT BE REPRODUCED OR COPIED OR IN ANY MANNER OR IN ANY PART AS THE BASIS FOR MANUFACTURE OR SALE OF ITEMS WITHOUT WRITTEN PERMISSION.

REVISIONS			
NO.	DESCRIPTION	DATE	BY

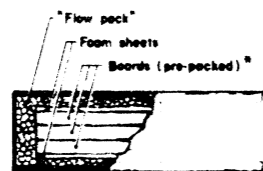
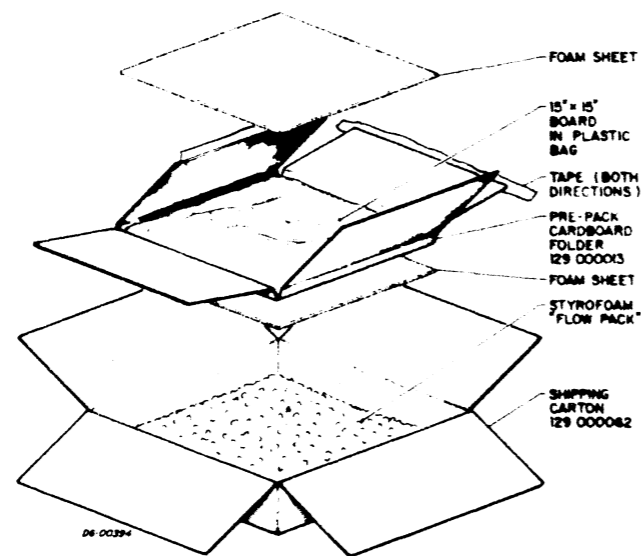


BRUNING 40-526 2011

UNLESS OTHERWISE SPECIFIED USE D G C SPECIFICATION 100 000028 FOR TOLERANCES AND WORKMANSHIP REQUIREMENTS	DRAWN	DATE	DATA GENERAL CORPORATION 111 FIFTH AVENUE NEW YORK, N.Y. 10003 IF ANY UNEXPECTED CHANGE
	CHECKED		
	ENGINEER		
	APPROVED		
MATERIAL	FIRST USED ON		
FINISH			

SHIPPING

PACKING KIT FOR BOARDS

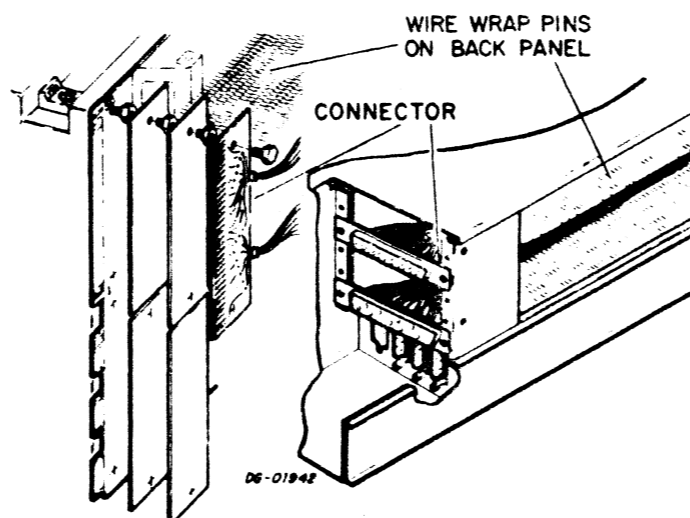


MULTIPLE PACKING
 * Up to three (3) 15" x 15" boards, enclosed in plastic bags and sealed in pre-pack folders as shown, can be put in shipping carton No 129 00002. For four (4) to seven (7) boards, use shipping carton No 129 00001.

SHIPPING AND PACKAGE DATA					
SHIPPING SPECIFICATIONS			STORAGE SPECIFICATIONS		
Temperature Range	Relative Humidity	Maximum Altitude	Temperature Range	Relative Humidity	Maximum Period
$^{\circ}\text{F}$ -40 - 160	$^{\circ}\text{C}$ -40 - 70 (Non-condensing)	50,000ft 15,200m	$^{\circ}\text{F}$ -40 - 160	$^{\circ}\text{C}$ -40 - 70 (Non-condensing)	90 days
	0% - 80%			0% - 80%	

DG-03224

INTERNAL CABLING



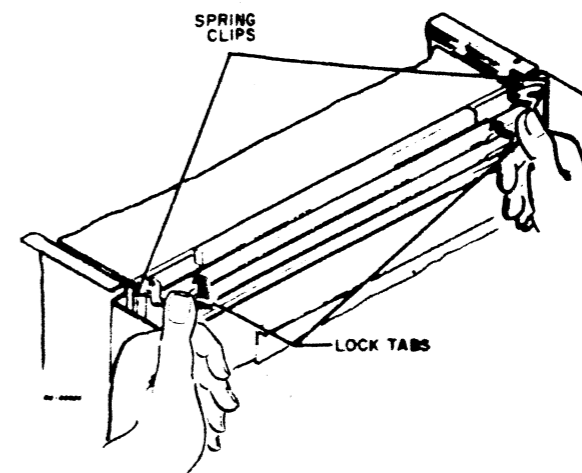
EDGE CONNECTOR SOCKET STYLE CONNECTOR

- | | |
|-----------|-----------|
| NOVA 2 | NOVA |
| NOVA 3 | SUPERNOVA |
| NOVA 820 | NOVA 800 |
| NOVA 1210 | NOVA 830 |
| NOVA 1220 | NOVA 840 |
| | NOVA 1200 |
| | NOVA 1230 |

INTERNAL CABLING	
ASSEMBLY	DESCRIPTION
005-001802	FOR NOVA 820, NOVA 1210, NOVA 1220, NOVA 2, NOVA 3, ECLIPSE SERIES
005-001965	FOR NOVA 800, NOVA 830, NOVA 840, NOVA 1200

TAILORING

INSTALLING PC BOARDS



EXTERNAL CABLING

EXTERNAL CABLES	
ASSEMBLY	DESCRIPTION
005-001966	A to A
005-001967	A to B
005-001968	B to B

GROUP 'A' ARE SOCKET-CONNECTED PROCESSORS
 GROUP 'B' ARE PADDLEBOARD CONNECTED PROCESSORS

013-000640 BRUNING 40-526 27928

THIS DRAWING AND SPECIFICATIONS HEREIN ARE THE PROPERTY OF DATA GENERAL CORPORATION AND SHALL NOT BE REPRODUCED OR COPIED OR USED IN WHOLE OR IN PART AS THE BASIS FOR MANUFACTURE OR SALE OF ITEMS WITHOUT WRITTEN PERMISSION.

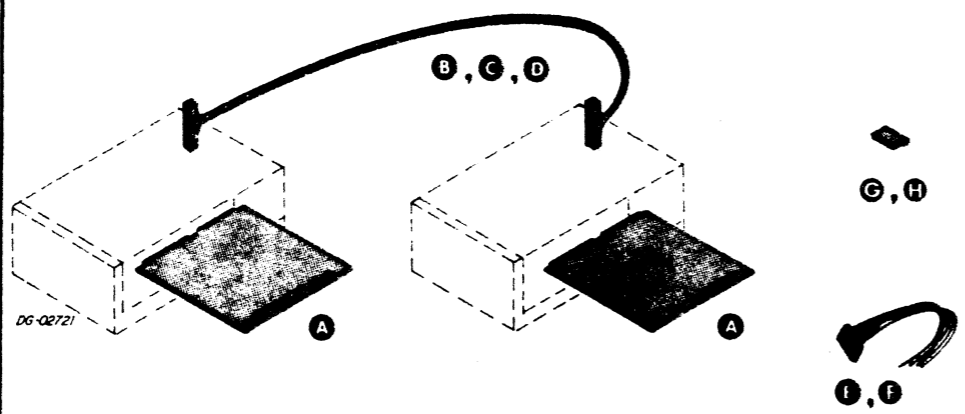
REV		DRAWN		APPROVED	
ECO		CHECKED		FIRST USED ON	
APP		ENGINEER		CODE IDENT	34984
DATE					

TITLE
**INTERPROCESSOR BUS
 SERIES 4240**

DATA GENERAL CORPORATION
 SOUTHBORO, MASSACHUSETTS 01772

SIZE	CODE	DRAWING NUMBER	REV
C	010	000103	01

SUBSYSTEM COMPONENT BREAKDOWN



MAJOR COMPONENT

Item	Component	Mounting Location	Notes
A	PC BOARD	COMPUTER CHASSIS (ANY I/O SLOT)	TWO PC BOARDS ARE REQUIRED FOR OPERATION, ONE INSTALLED IN EACH PROCESSOR IN IPB SUBSYSTEM

DG-02672

CABLE

Item	Cable	Connecting	Max Allowed Length ft / m	Notes
B	1065A IPB EXTERNAL	INT CA IN 1ST CPU and INT CA IN 2ND CPU	15 / 4.5	CONNECTING GROUP A TO A PROCESSORS (1)
C	1065B IPB EXTERNAL	INT CA IN 1ST CPU " INT CA IN 2ND CPU	15 / 4.5	CONNECTING GROUP A TO B PROCESSORS (1)
D	1065C IPB EXTERNAL	INT CA IN 1ST CPU " INT CA IN 2ND CPU	15 / 4.5	CONNECTING GROUP B TO B PROCESSORS (1)
E	INTERNAL	4240 PC BD " IPB EXTERNAL	-	CABLE FOR N820, N1210, N1220 CABLE FOR N2 AND ECLIPSE
F	INTERNAL	4240 PC BD " IPB EXTERNAL	-	CABLE FOR N800, N830, N840, N1200

DG-02673

TERMINATOR

Item	Terminator	Location	Notes
G	TEST PLUG	INTERNAL CABLE CONNECTOR	REQUIRED TO RUN DIAGNOSTICS ON GROUP A PROCESSORS (1)
H	TEST PLUG	INTERNAL CABLE CONNECTOR	REQUIRED TO RUN DIAGNOSTICS ON GROUP B PROCESSORS (1)

DG-02674

NOTE: (1) GROUP A ARE SOCKET-CONNECTED PROCESSORS.
GROUP B ARE PADDLEBOARD-CONNECTED PROCESSORS.

SPECIFICATIONS OF THE CHASSIS-MOUNTED COMPONENTS

Item	Component	Chassis	Slots Required	Max Allowable Data Channel Latency (μ sec)	Type of Data Channel Service Desired High Speed, Standard	Max Allowable Programmed I/O Latency μ sec	Controller's +5 Volt Current Draw (Amps)
A	4240 PCB	CPU	1	N/A	N/A	36.2 μ s	2.5 A

DG-01912

013-000840
BRUNING 40-526 27928

REV	00	01																		
ECO	5372	6054																		
APP																				
DATE	1/5/74	5-30-71																		

DRAWN	[Signature]	APPROVED	[Signature]
CHECKED	[Signature]	FIRST USED ON	
ENGINEER	[Signature]	CODE IDENT	34984

TITLE
INTERPROCESSOR BUS
SERIES 4240

DATA GENERAL CORPORATION SOUTHBORO, MASSACHUSETTS 01772			
SIZE	CODE	DRAWING NUMBER	REV
C	010	000103	01