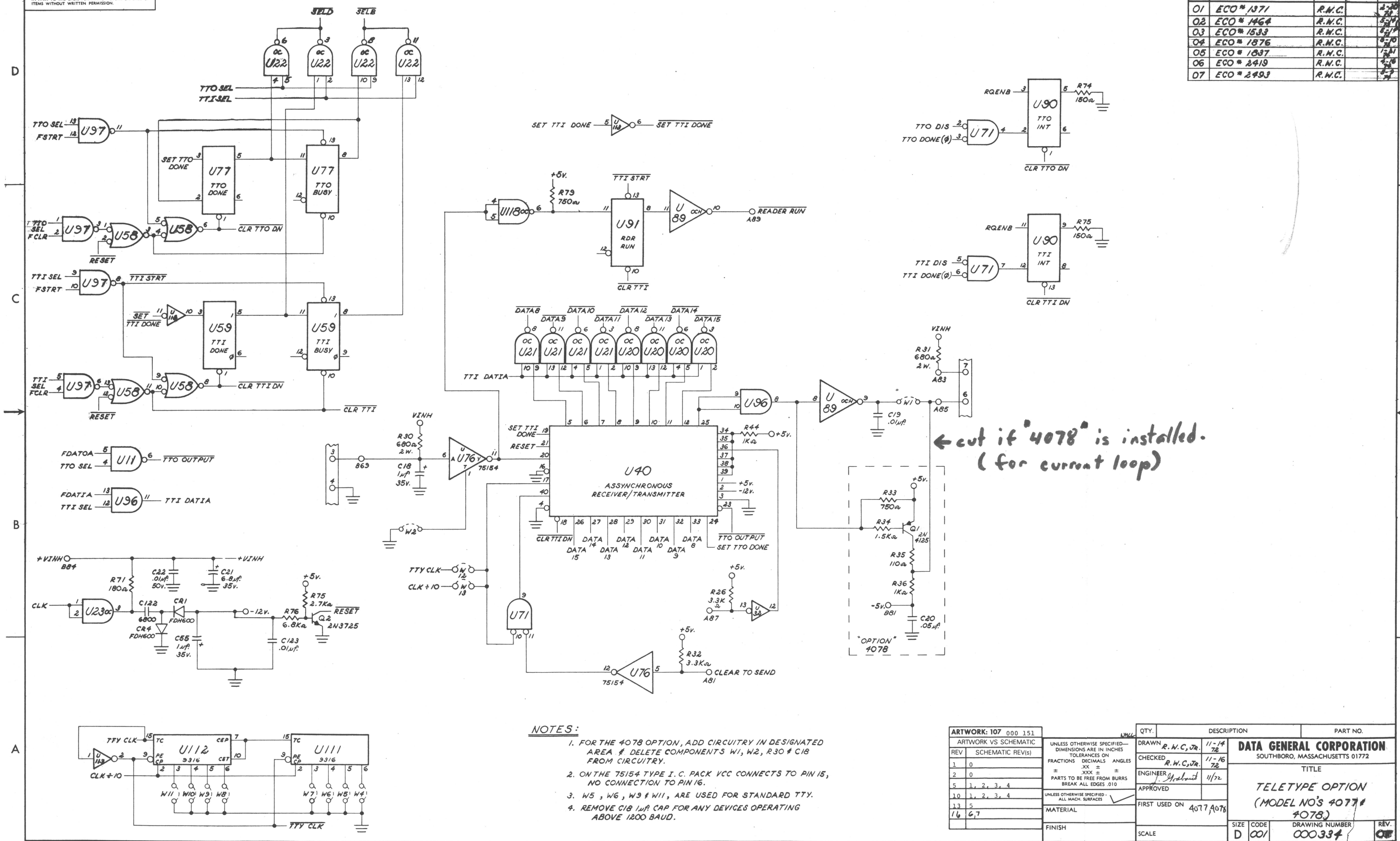


THIS DRAWING AND SPECIFICATIONS, HEREIN, ARE THE PROPERTY OF DATA GENERAL CORPORATION AND SHALL NOT BE REPRODUCED OR COPIED OR USED IN WHOLE OR IN PART AS THE BASIS FOR MANUFACTURE OR SALE OF ITEMS WITHOUT WRITTEN PERMISSION.

| REVISIONS | | | | |
|-----------|-------------|--------|---------|-------|
| REV. | DESCRIPTION | DRFTG. | APP. BY | DATE |
| 01 | ECO # 1371 | R.N.C. | | 2-20 |
| 02 | ECO # 1464 | R.N.C. | | 3-10 |
| 03 | ECO # 1533 | R.N.C. | | 4-17 |
| 04 | ECO # 1876 | R.N.C. | | 8-10 |
| 05 | ECO # 1837 | R.N.C. | | 12-31 |
| 06 | ECO # 2419 | R.N.C. | | 2-78 |
| 07 | ECO # 2493 | R.N.C. | | 2-78 |



← cut if '4078' is installed.
(for current loop)

- NOTES:**
- FOR THE 4078 OPTION, ADD CIRCUITRY IN DESIGNATED AREA & DELETE COMPONENTS W1, W2, R30 & C18 FROM CIRCUITRY.
 - ON THE 75154 TYPE I. C. PACK VCC CONNECTS TO PIN 15, NO CONNECTION TO PIN 16.
 - W5, W6, W9 & W11, ARE USED FOR STANDARD TTY.
 - REMOVE C18 1μF CAP FOR ANY DEVICES OPERATING ABOVE 1200 BAUD.

| | |
|----------------------|---|
| ARTWORK: 107 000 151 | UNLESS OTHERWISE SPECIFIED— DIMENSIONS ARE IN INCHES— FRACTIONS DECIMALS ANGLES ° ' " ± |
| REV. 1 0 | XX ± |
| 2 0 | ± |
| 5 1, 2, 3, 4 | PARTS TO BE FREE FROM BURRS BREAK ALL EDGES .010 |
| 10 1, 2, 3, 4 | UNLESS OTHERWISE SPECIFIED— ALL MACH. SURFACES |
| 13 5 | |
| 16 6, 7 | |
| | MATERIAL |
| | FINISH |

| | | |
|---|-------------|----------|
| QTY. | DESCRIPTION | PART NO. |
| DRAWN R. W. C. Jr. | 11-14 | |
| CHECKED R. W. C. Jr. | 11-16 | |
| ENGINEER | 11/72 | |
| APPROVED | | |
| FIRST USED ON | 4077, 4078 | |
| SCALE | | |
| DATA GENERAL CORPORATION SOUTHBORO, MASSACHUSETTS 01772 TITLE TELETYPE OPTION (MODEL NO'S 4077 & 4078) DRAWING NUMBER 000334 REV. 07 | | |