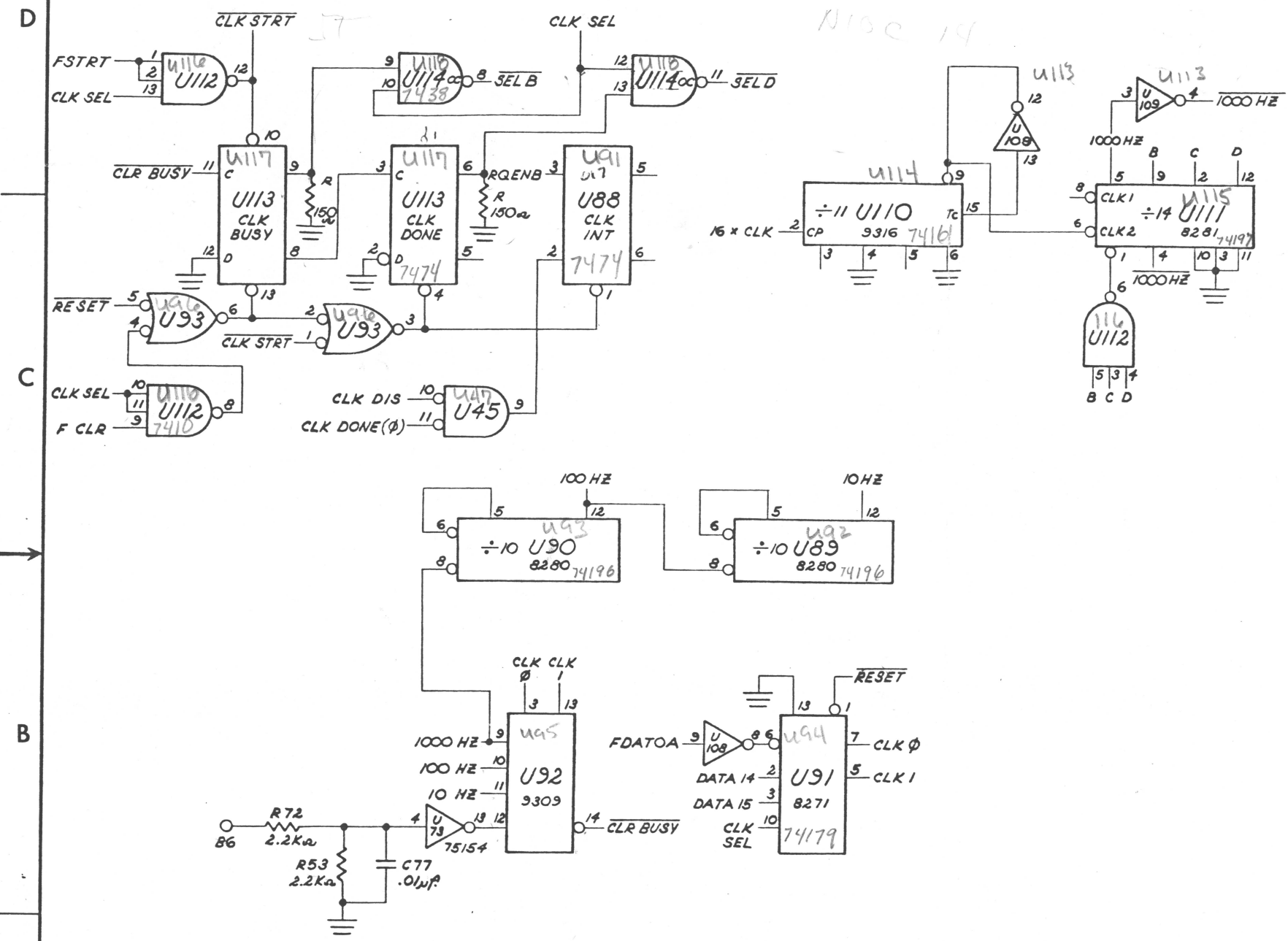


THIS DRAWING AND SPECIFICATIONS, HEREIN, ARE THE PROPERTY OF DATA GENERAL CORPORATION AND SHALL NOT BE REPRODUCED OR COPIED OR USED IN WHOLE OR IN PART AS THE BASIS FOR MANUFACTURE OR SALE OF ITEMS WITHOUT WRITTEN PERMISSION.

REVISIONS				
REV.	DESCRIPTION	DRFTG.	APP. BY	DATE
01	ECO# 1371	R.W.C.		2-20-72
02	ECO# 1494	R.W.C.		4-2-72



INST
N105
N100 14

QTY.	DESCRIPTION	PART NO.
	DRAWN R.W.C., Jr. 11-13-72	DATA GENERAL CORPORATION SOUTHBORO, MASSACHUSETTS 01772 TITLE REAL TIME CLOCK OPTION (MODEL NO. 4079)
	CHECKED R.W.C., Jr. 11-16-72	
	ENGINEER J. Harlow 11/72	
	APPROVED	
	FIRST USED ON	SIZE CODE C 001
	SCALE	DRAWING NUMBER 000333
		REV. 02

A

A