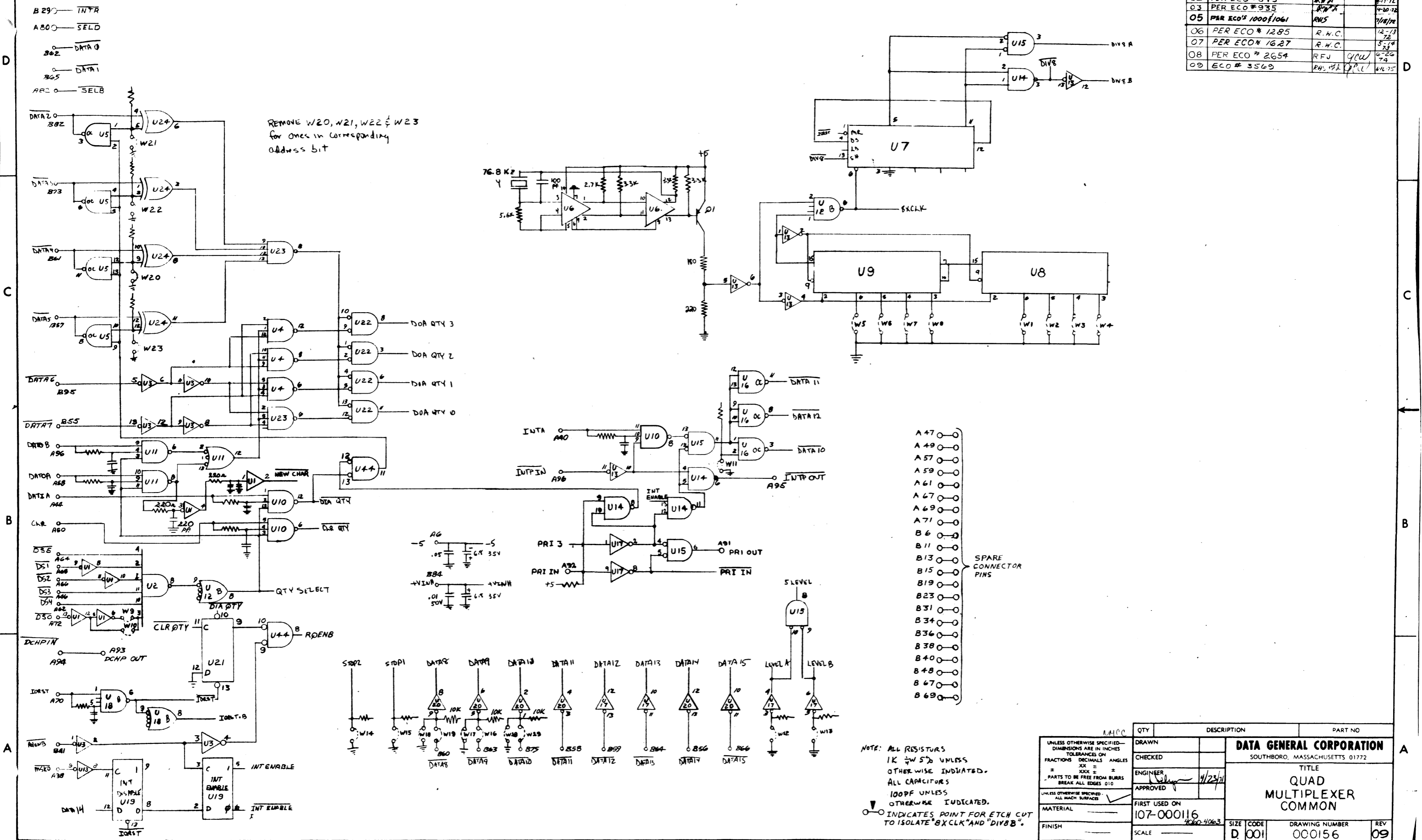


THIS DRAWING AND SPECIFICATIONS HEREIN ARE THE PROPERTY OF DATA GENERAL CORPORATION AND SHALL NOT BE REPRODUCED OR COPIED OR USED IN WHOLE OR IN PART AS THE BASIS FOR MANUFACTURE OR SALE OF ITEMS WITHOUT WRITTEN PERMISSION.

REVISIONS				
REV	DESCRIPTION	DRFTG	APP BY	DATE
02	PER ECO #843	RWT		7-17-72
03	PER ECO #935	RWT		4-20-72
05	PER ECO'S 1000/1061	RWS		7/18/72
06	PER ECO # 1285	R.W.C.		12-13-72
07	PER ECO # 1627	R.W.C.		5-7-74
08	PER ECO # 2654	RFJ	YCW	6-26-74
09	ECO # 3569	RWS, RWT	YCW	6/16/75



REMOVE W20, W21, W22 & W23
for ones in corresponding
address bit

NOTE: ALL RESISTORS
1K \pm 5% UNLESS
OTHERWISE INDICATED.
ALL CAPACITORS
100PF UNLESS
OTHERWISE INDICATED.
○ INDICATES POINT FOR ETCH CUT
TO ISOLATE "BXCLK" AND "DIVB".

QTY	DESCRIPTION	PART NO
	DATA GENERAL CORPORATION	
	SOUTHBORO, MASSACHUSETTS 01772	
	TITLE	
	QUAD MULTIPLEXER COMMON	
	FIRST USED ON	
	107-000116	
	SCALE	
	SIZE	
	CODE	
	DRAWING NUMBER	
	000156	
	REV	
	09	

8

7

6

5

4

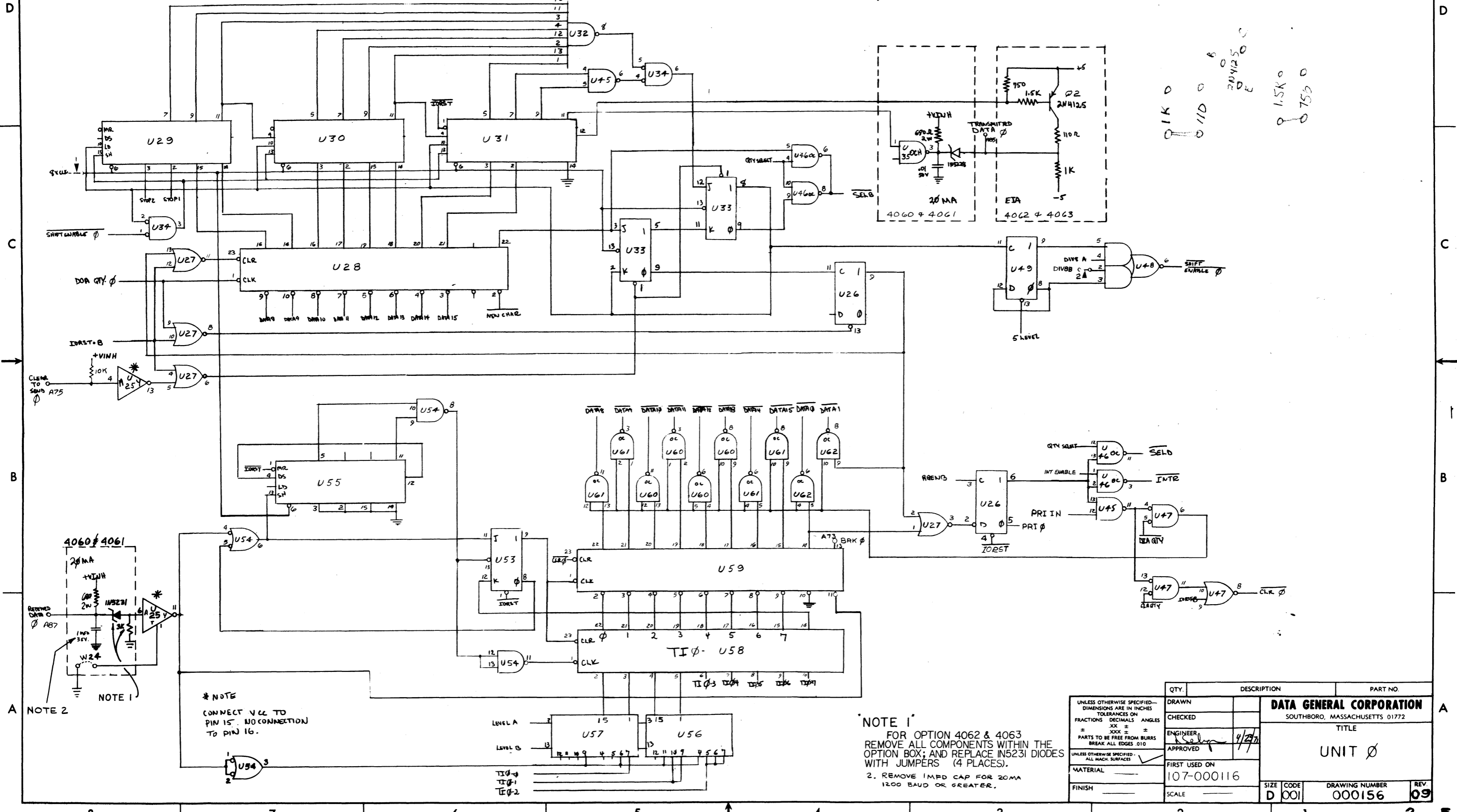
3

2

1

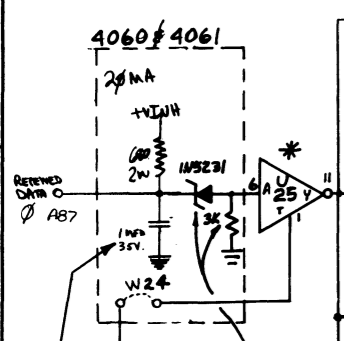
THIS DRAWING AND SPECIFICATIONS HEREIN, ARE THE PROPERTY OF DATA GENERAL CORPORATION AND SHALL NOT BE REPRODUCED OR COPIED OR USED IN WHOLE OR IN PART AS THE BASIS FOR MANUFACTURE OR SALE OF ITEMS WITHOUT WRITTEN PERMISSION.

REVISIONS			
REV	DESCRIPTION	DRFTG	APP BY DATE



Handwritten notes:

- 1K 0
- 110 0
- 204125 0
- 20E
- 1.5K 0
- 750 0



*** NOTE**
CONNECT V_{CC} TO PIN 15. NO CONNECTION TO PIN 16.

NOTE 1
FOR OPTION 4062 & 4063 REMOVE ALL COMPONENTS WITHIN THE OPTION BOX; AND REPLACE IN5231 DIODES WITH JUMPERS (4 PLACES).
2. REMOVE 1MΩ CAP FOR 20MA 1200 BAUD OR GREATER.

QTY.	DESCRIPTION	PART NO.
DATA GENERAL CORPORATION		
SOUTHBORO, MASSACHUSETTS 01772		
TITLE		
UNIT 0		

8

7

6

5

4

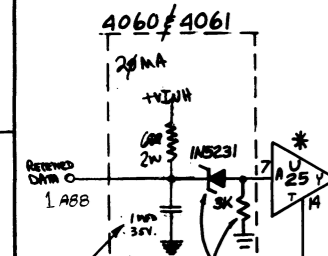
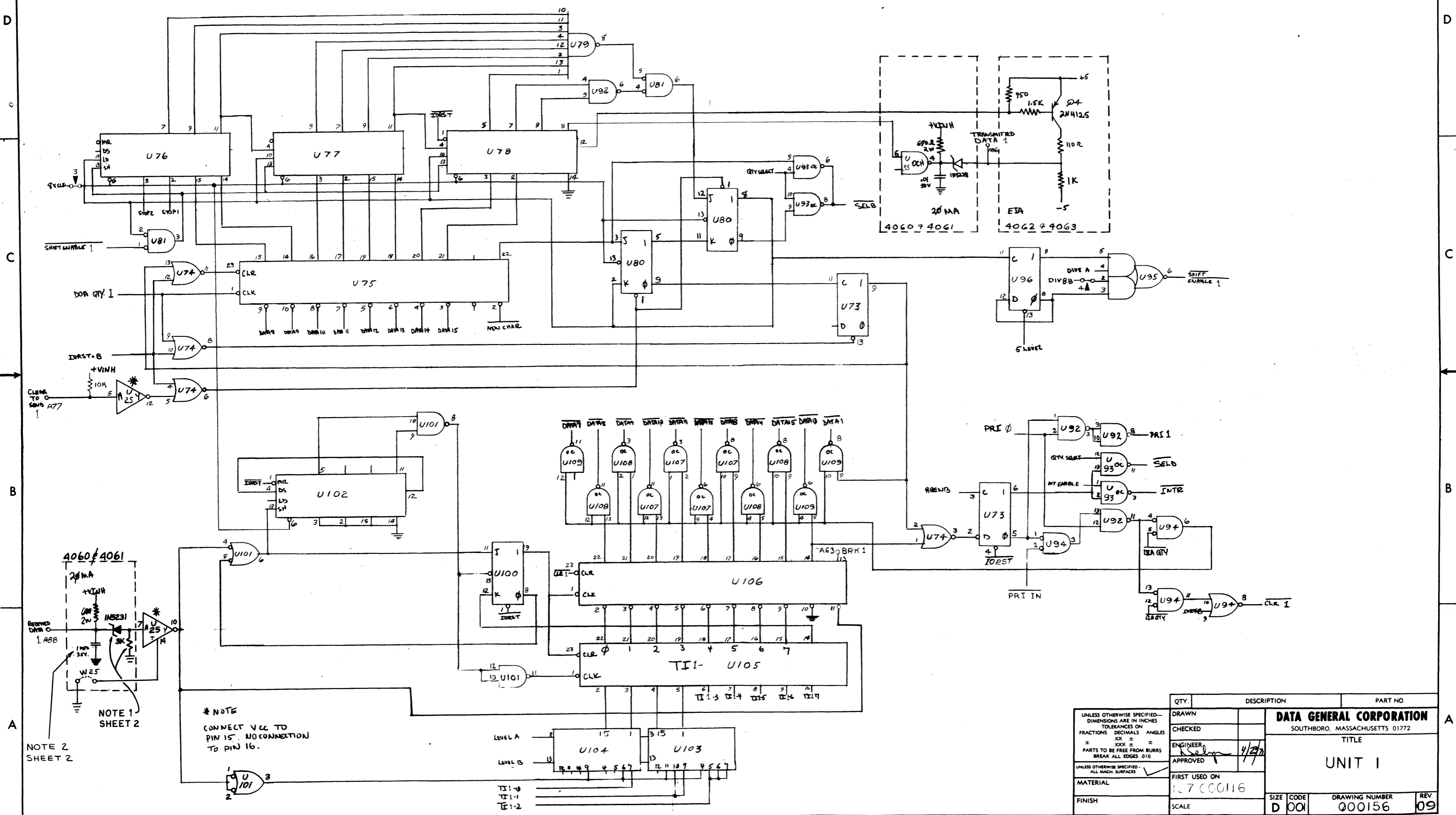
3

2

1

REVISIONS			
REV.	DESCRIPTION	DRFTG.	APP. BY DATE

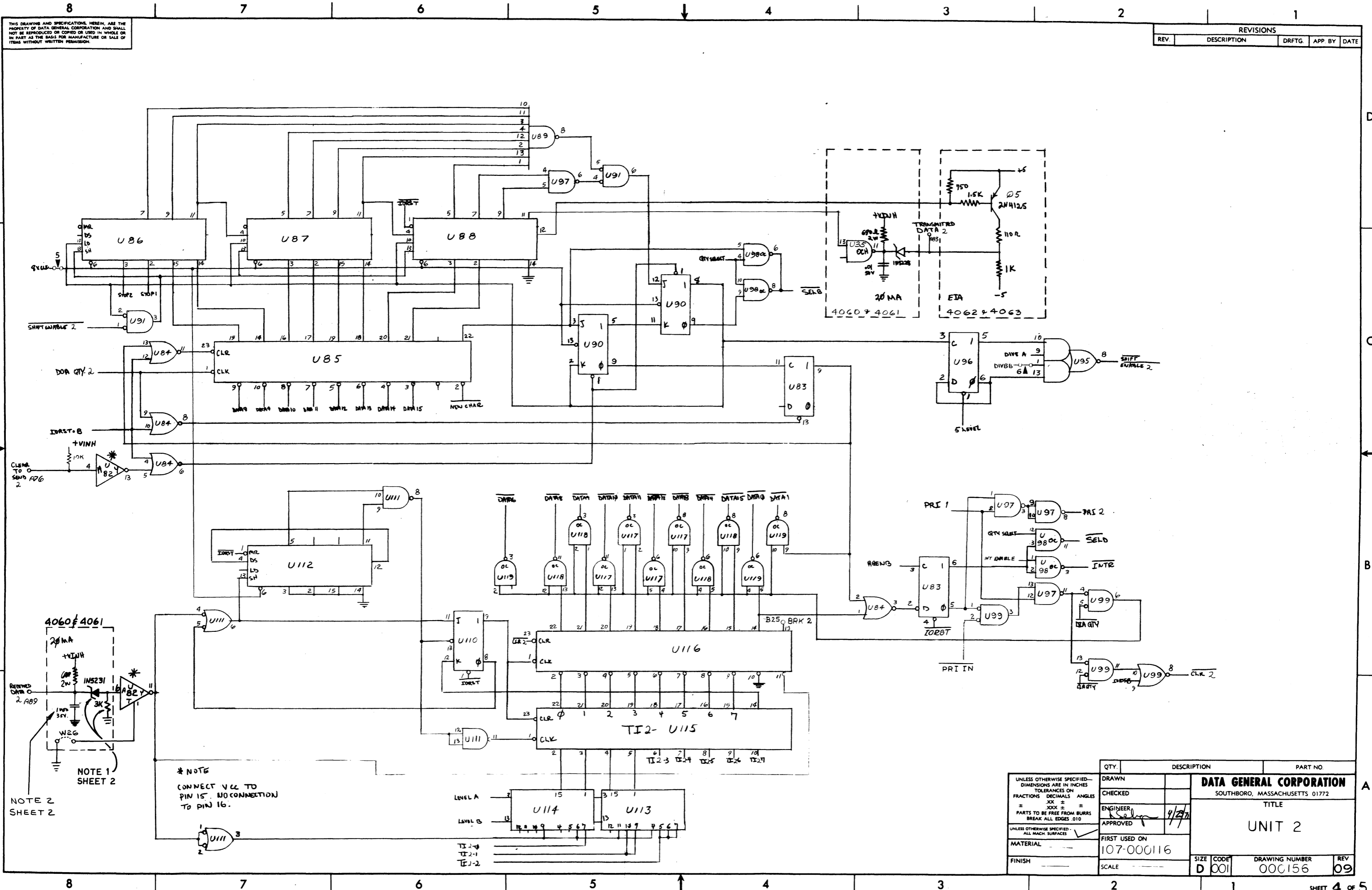
THIS DRAWING AND SPECIFICATIONS, HEREIN, ARE THE PROPERTY OF DATA GENERAL CORPORATION AND SHALL NOT BE REPRODUCED OR COPIED OR USED IN WHOLE OR IN PART AS THE BASIS FOR MANUFACTURE OR SALE OF ITEMS WITHOUT WRITTEN PERMISSION.



* NOTE
CONNECT VCC TO PIN 15. NO CONNECTION TO PIN 16.

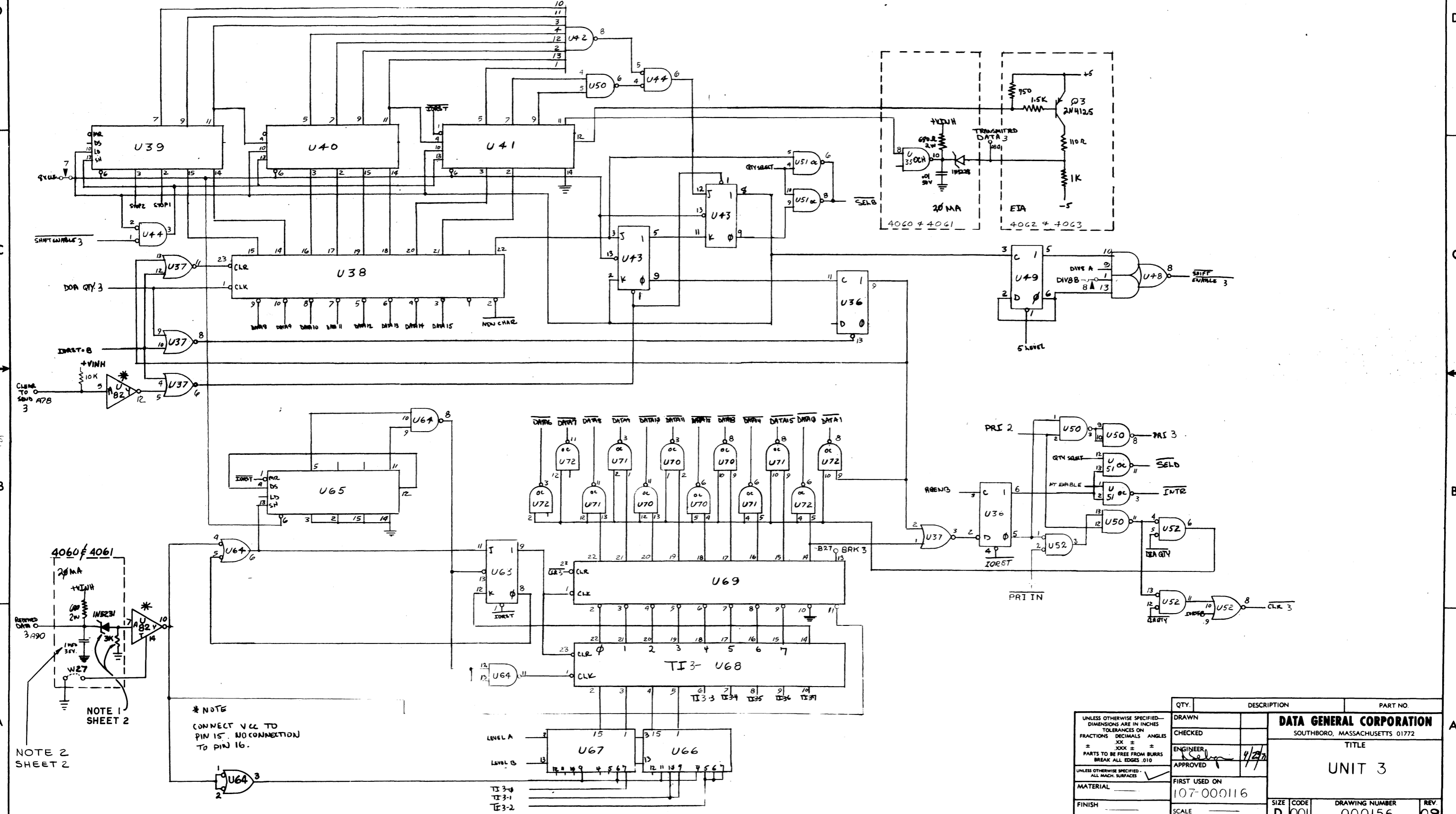
NOTE 2 SHEET 2

UNLESS OTHERWISE SPECIFIED—DIMENSIONS ARE IN INCHES—TOLERANCES ON FRACTIONS DECIMALS ANGLES .XXX ± .XXX ± .		DRAWN		DESCRIPTION		PART NO.	
PARTS TO BE FREE FROM BURRS—BREAK ALL EDGES .010		CHECKED		DATA GENERAL CORPORATION		SOUTHBORO, MASSACHUSETTS 01772	
UNLESS OTHERWISE SPECIFIED—ALL MACH. SURFACES		ENGINEER		TITLE		UNIT 1	
MATERIAL		APPROVED		FIRST USED ON		DRAWING NUMBER	
FINISH		SCALE		1:7 000116		000156	
						REV 09	



THIS DRAWING AND SPECIFICATIONS HEREIN, ARE THE PROPERTY OF DATA GENERAL CORPORATION AND SHALL NOT BE REPRODUCED OR COPIED OR USED IN WHOLE OR IN PART AS THE BASIS FOR MANUFACTURE OR SALE OF ITEMS WITHOUT WRITTEN PERMISSION.

REVISIONS			
REV.	DESCRIPTION	DRFTG.	APP. BY DATE



NOTE 1 SHEET 2
NOTE 2 SHEET 2

* NOTE
CONNECT VCC TO PIN 15. NO CONNECTION TO PIN 16.

QTY.	DESCRIPTION	PART NO.

DRAWN		DATA GENERAL CORPORATION	
CHECKED		SOUTHBORO, MASSACHUSETTS 01772	
ENGINEER		TITLE	
APPROVED		UNIT 3	
FIRST USED ON		SIZE	
107-000116		D 001	
SCALE		DRAWING NUMBER	
		000156	
		REV	
		09	