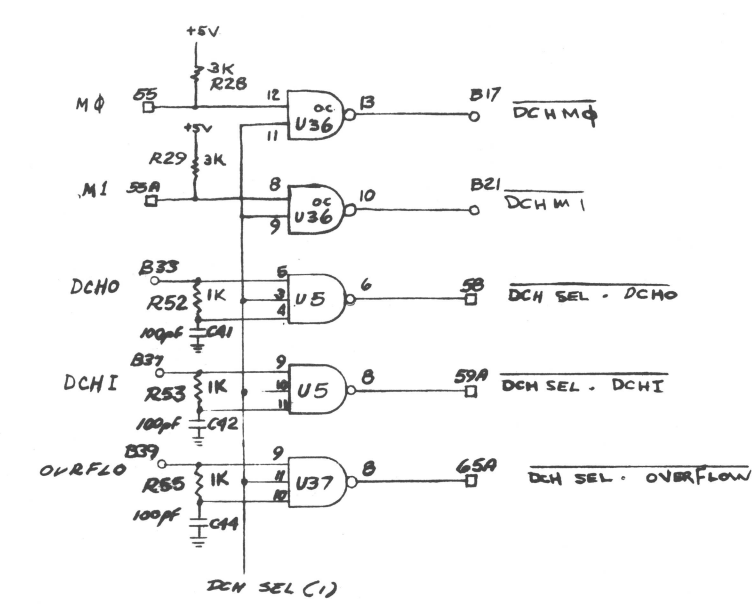
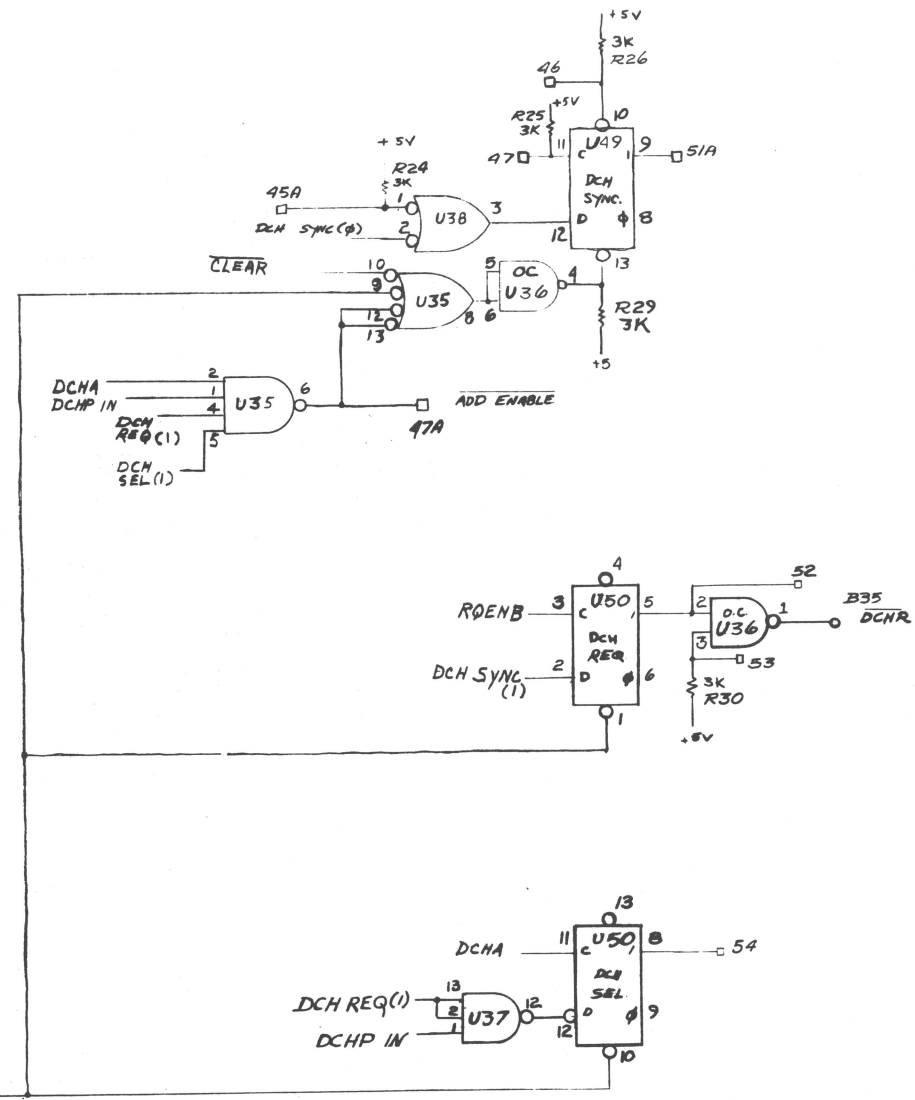
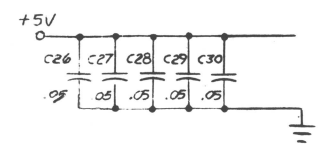


ALL DIMENSIONS AND SPECIFICATIONS HEREIN ARE THE PROPERTY OF DATA GENERAL CORPORATION AND SHALL NOT BE REPRODUCED OR TRANSMITTED IN ANY FORM OR BY ANY MEANS, ELECTRONIC OR MECHANICAL, INCLUDING PHOTOCOPYING, RECORDING, OR BY ANY INFORMATION STORAGE AND RETRIEVAL SYSTEM, WITHOUT THE WRITTEN PERMISSION OF DATA GENERAL CORPORATION.

REVISIONS				
REV	DESCRIPTION	DRFTG	APP BY	DATE
01	ADD FILTER TO DCH, DCHI, OVRFLW, DELETE LOGIC INVERTER, AND RENUMBER IC'S, C31 REMOVED	RJS		6/5/77
02	PER ECO # 107	JWZ		11/24/77



NOTE 1 □ DESIGNATES WIRE WRAP PIN
○ DESIGNATES EDGE CARD CONN.

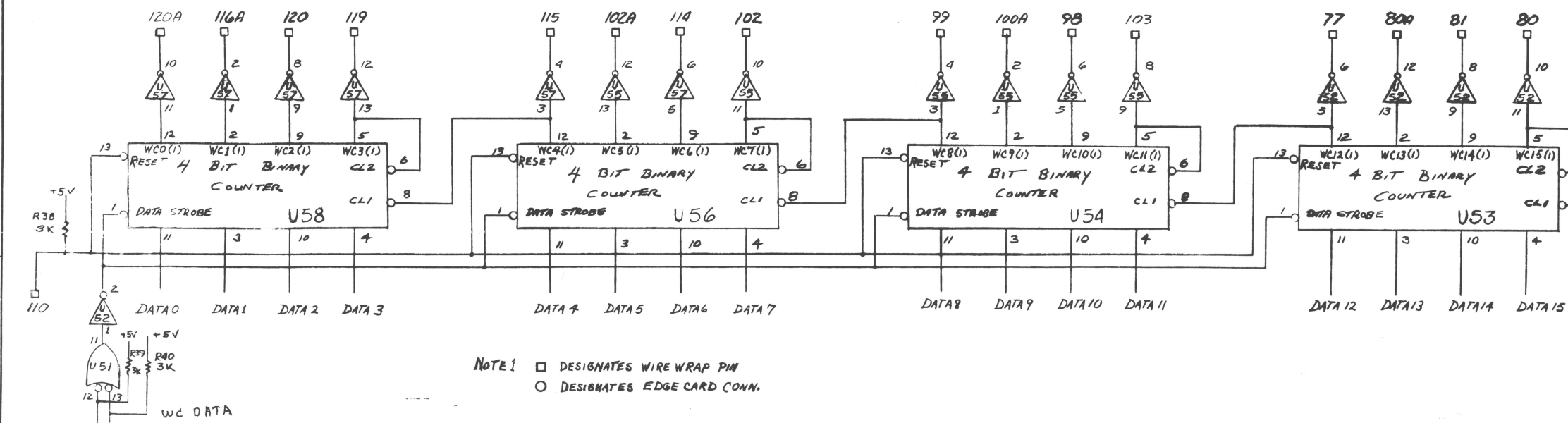
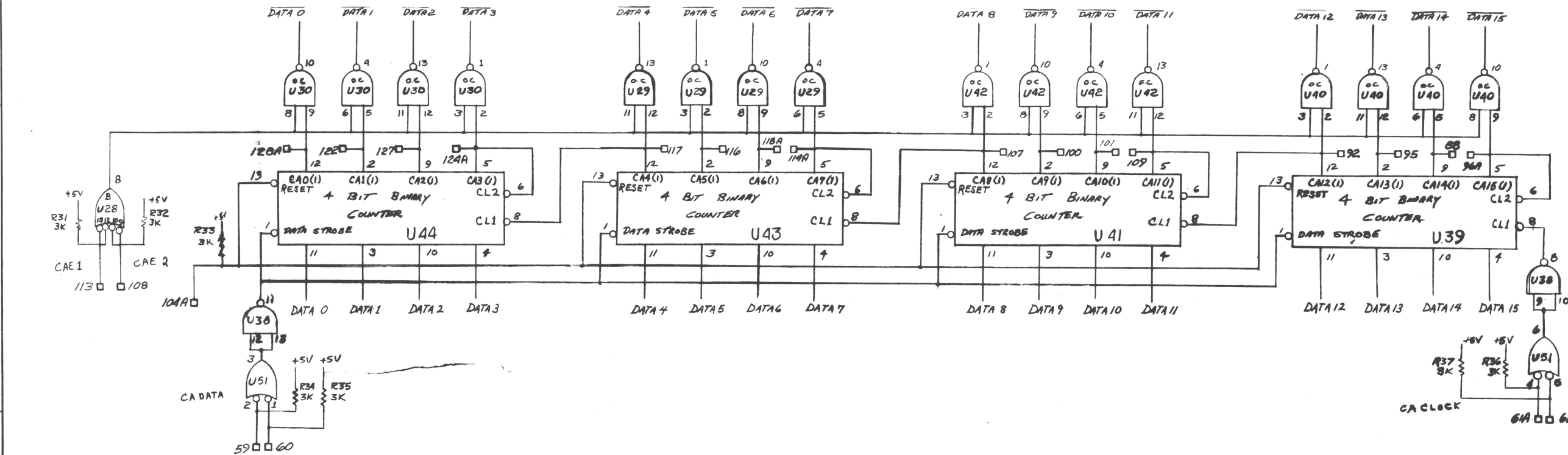


I/O BOARD - DATA CHANNEL CONTROL

QTY	DESCRIPTION	PART NO.
	DRAWN	
	CHECKED	
	ENGINEER	
	APPROVED	
	FIRST USED ON	107 0000 54
	MATERIAL	
	FINISH	
UNLESS OTHERWISE SPECIFIED— DIMENSIONS ARE IN INCHES TOLERANCES ON FRACTIONS DECIMALS ANGLES ± .05 ± .05 ± .05 ± .05 ± .05 PARTS TO BE FREE FROM BURRS BREAK ALL EDGES .010 UNLESS OTHERWISE SPECIFIED— ALL MACH SURFACES		DATA GENERAL CORPORATION
		TITLE I/O BOARD - DATA CHANNEL CONTROL
SHEET 1 OF 2		SIZE CODE D 001 DRAWING NUMBER 0000 53 REV 02

THIS DRAWING AND SPECIFICATIONS, HEREIN, ARE THE PROPERTY OF DATA GENERAL CORPORATION AND SHALL NOT BE REPRODUCED OR COPIED OR USED IN WHOLE OR IN PART AS THE BASIS FOR MANUFACTURE OR SALE OF ITEMS WITHOUT WRITTEN PERMISSION.

REVISIONS			
REV	DESCRIPTION	DATE	BY
01	IC'S RENUMBERED	5/77	
02	PER ECO #107	5/77	



NOTE 1 □ DESIGNATES WIRE WRAP PIN
○ DESIGNATES EDGE CARD CONN.

I/O BOARD CURRENT ADDRESS REGISTER & WORD COUNT REGISTER

QTY	DESCRIPTION	PART NO
DATA GENERAL CORPORATION		
TITLE		
I/O BOARD ADDRESS REGISTER & WORD COUNTER (9045)		
UNLESS OTHERWISE SPECIFIED— DIMENSIONS ARE IN INCHES FRACTIONS DECIMALS ANGLES XX = PARTS TO BE FREE FROM BURRS BREAK ALL EDGES 010		DRAWN
MATERIAL		CHECKED
FINISH		ENGINEER
FIRST USED ON 107 0000 54		APPROVED
SHEET 2 OF 2		SIZE CODE D 001 000053
		02