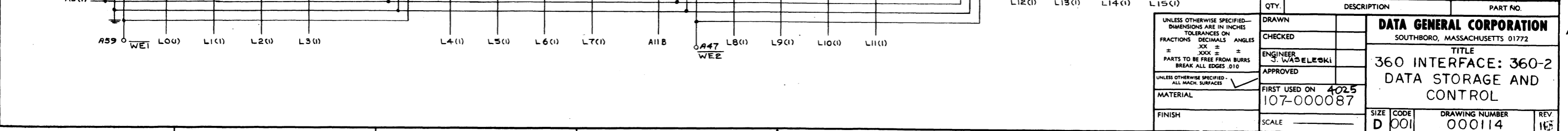
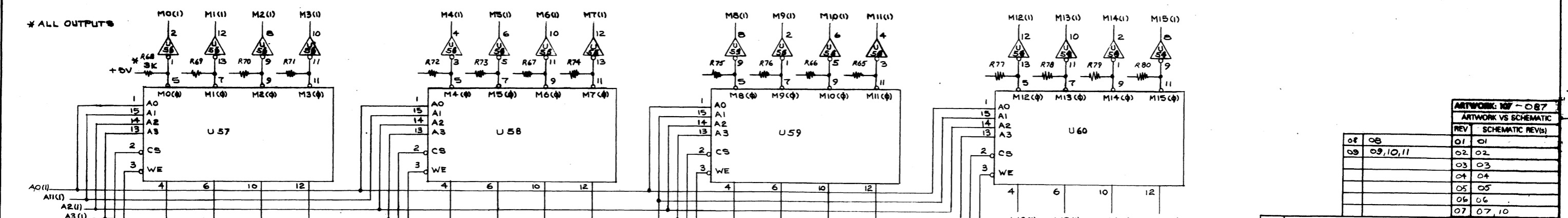
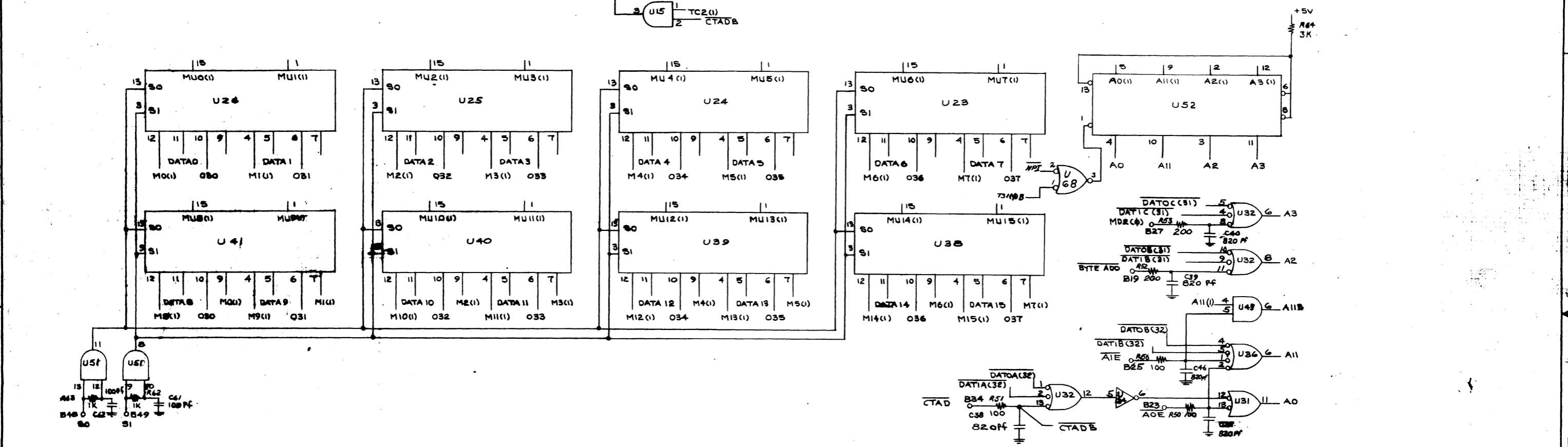
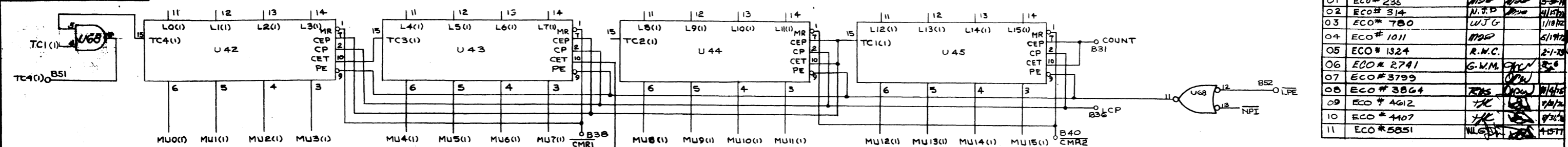


THIS DRAWING AND SPECIFICATIONS HEREIN, ARE THE PROPERTY OF DATA GENERAL CORPORATION AND SHALL NOT BE REPRODUCED OR COPIED OR USED IN WHOLE OR IN PART AS THE BASIS FOR MANUFACTURE OR SALE OF ITEMS WITHOUT WRITTEN PERMISSION.

REVISIONS				
REV.	DESCRIPTION	DRFTG	APP. BY	DATE
01	ECO# 235	MDP	WJD	5-3-74
02	ECO# 314	N.J.D	WJD	4/15/74
03	ECO# 780	W.J.G		1/18/75
04	ECO# 1011	MDP		5/19/74
05	ECO# 1324	R.W.C.		2-1-75
06	ECO# 2741	G.W.M.	WJD	3-5-74
07	ECO# 3799		WJD	3-5-74
08	ECO# 3864	R.H.S.	WJD	4/19/75
09	ECO# 4612	H.K.	WJD	7/2/74
10	ECO# 4407	H.K.	WJD	8/2/74
11	ECO# 5851	W.J.G	WJD	4-25-77



ARTWORK 107-087			
ARTWORK VS SCHEMATIC			
REV	SCHEMATIC	REVISIONS	DATE
01	01		
02	02		
03	03		
04	04		
05	05		
06	06		
07	07,10		

UNLESS OTHERWISE SPECIFIED—  
DIMENSIONS ARE IN INCHES  
TOLERANCES ON  
FRACTIONS DECIMALS ANGLES  
± .010 ± .005 ± .005  
PARTS TO BE FREE FROM BURRS  
BREAK ALL EDGES .010

UNLESS OTHERWISE SPECIFIED—  
ALL MACH SURFACES

DATA GENERAL CORPORATION  
SOUTHBORO, MASSACHUSETTS 01772

TITLE  
**360 INTERFACE: 360-2  
DATA STORAGE AND  
CONTROL**

FIRST USED ON **4025  
107-000087**

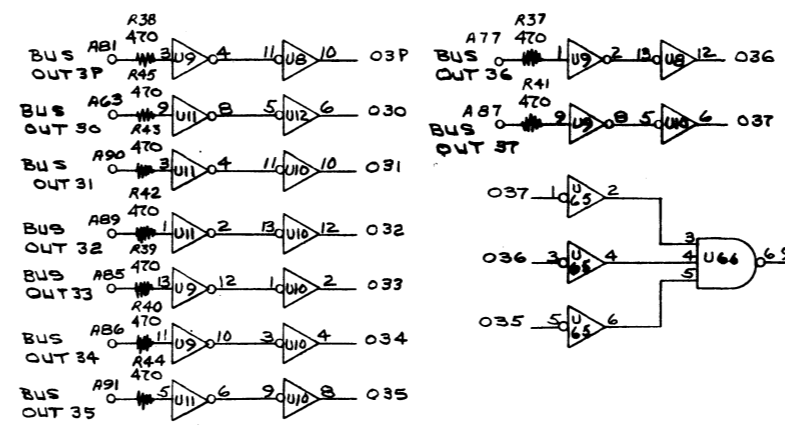
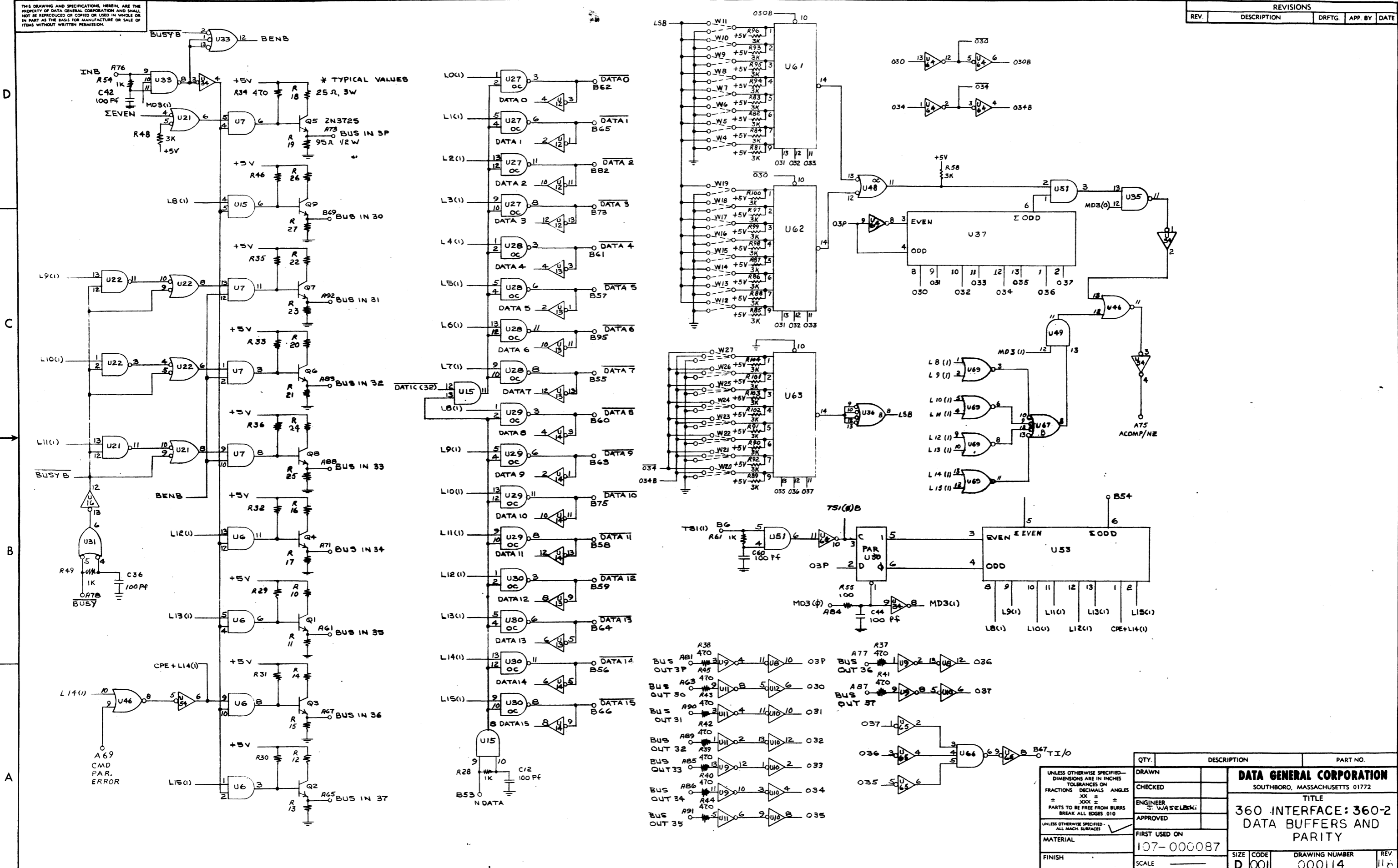
DRAWN: \_\_\_\_\_  
CHECKED: \_\_\_\_\_  
ENGINEER: **J. WASELESKI**  
APPROVED: \_\_\_\_\_

SCALE: \_\_\_\_\_

SIZE: **D** CODE: **001** DRAWING NUMBER: **000114** REV: **10**

THIS DRAWING AND SPECIFICATIONS HEREIN ARE THE PROPERTY OF DATA GENERAL CORPORATION AND SHALL NOT BE REPRODUCED OR COPIED OR USED IN WHOLE OR IN PART AS THE BASIS FOR MANUFACTURE OR SALE OF ITEMS WITHOUT WRITTEN PERMISSION.

REVISIONS			
REV.	DESCRIPTION	DRFTG.	APP. BY DATE



QTY.	DESCRIPTION	PART NO.

UNLESS OTHERWISE SPECIFIED— DIMENSIONS ARE IN INCHES TOLERANCES ON FRACTIONS DECIMALS ANGLES ± .005 ± .001 ± .001 ± .001 PARTS TO BE FREE FROM BURRS BREAK ALL EDGES 010		DRAWN		DATA GENERAL CORPORATION	
UNLESS OTHERWISE SPECIFIED— ALL MACH. SURFACES		CHECKED		SOUTHBORO, MASSACHUSETTS 01772	
MATERIAL		ENGINEER		TITLE	
FINISH		APPROVED		360 INTERFACE: 360-2	
		FIRST USED ON		DATA BUFFERS AND	
		107-000087		PARITY	
		SCALE		DRAWING NUMBER	
				000114	
				REV	
				11	

THIS DRAWING AND SPECIFICATIONS, HEREIN, A PROPERTY OF DATA GENERAL CORPORATION AND SHALL NOT BE REPRODUCED OR COPIED OR USED IN WHOLE OR IN PART AS THE BASIS FOR MANUFACTURE OR SALE OF ITEMS WITHOUT WRITTEN PERMISSION.

REVISIONS			
REV	DESCRIPTION	DRFTG	APP BY DATE

D

D

C

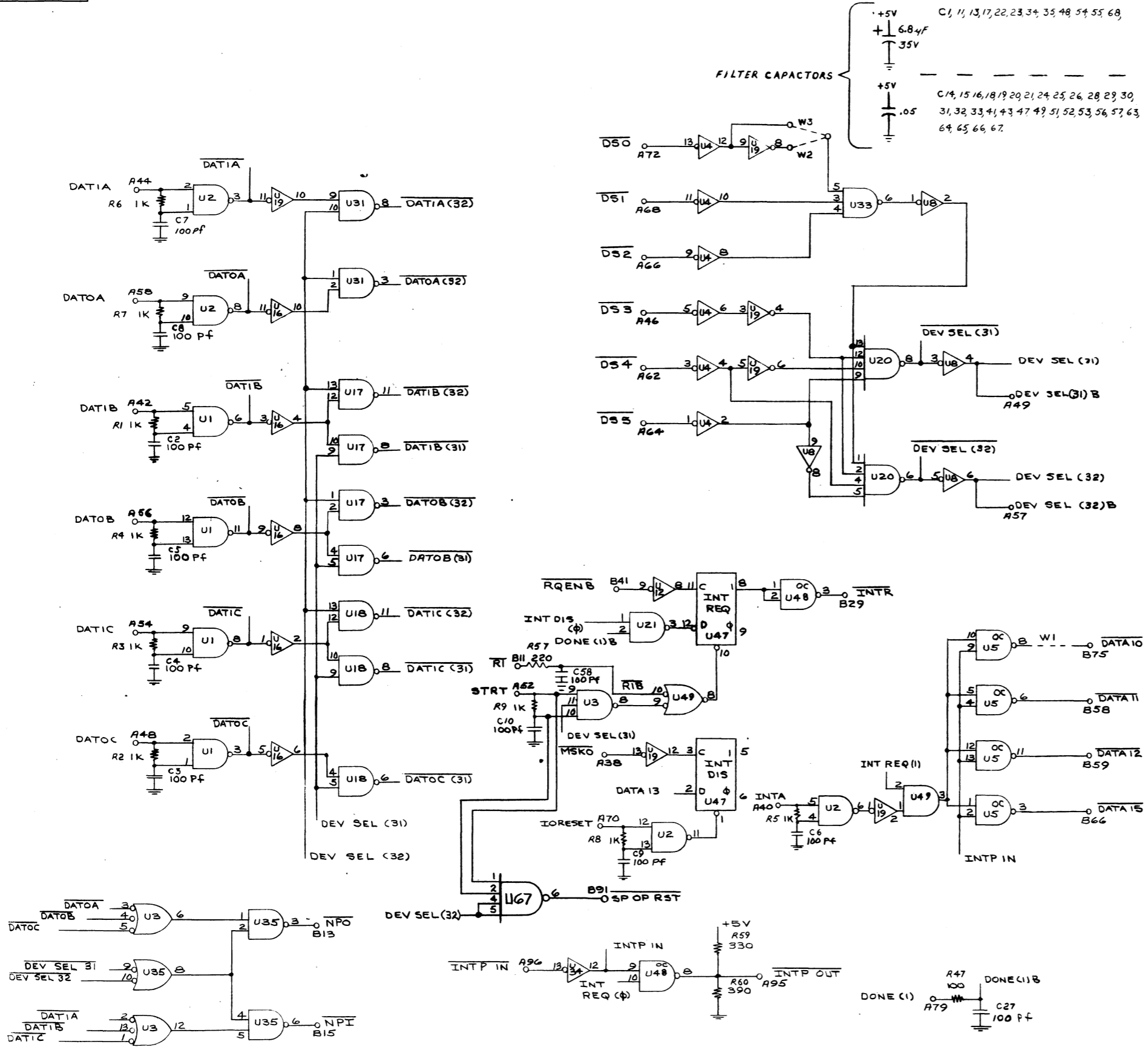
C

B

B

A

A



UNLESS OTHERWISE SPECIFIED— DIMENSIONS ARE IN INCHES		QTY.		DESCRIPTION		PART NO.	
TOLERANCES ON FRACTIONS DECIMALS ANGLES	± .005 ± .003 ± .002	DRAWN		<b>DATA GENERAL CORPORATION</b>		SOUTH BORO, MASSACHUSETTS 01772	
PARTS TO BE FREE FROM BURRS BREAK ALL EDGES .010		CHECKED		TITLE		360 INTERFACE: 360-2	
		ENGINEER	J. WASELESKI	AND DEVICE SELECT		AND INTERRUPT CONTROL	
UNLESS OTHERWISE SPECIFIED— ALL MACH. SURFACES		APPROVED		FIRST USED ON	107-000087		
MATERIAL				SCALE	SIZE	CODE	DRAWING NUMBER
					D	001	000114
FINISH							REV
							11