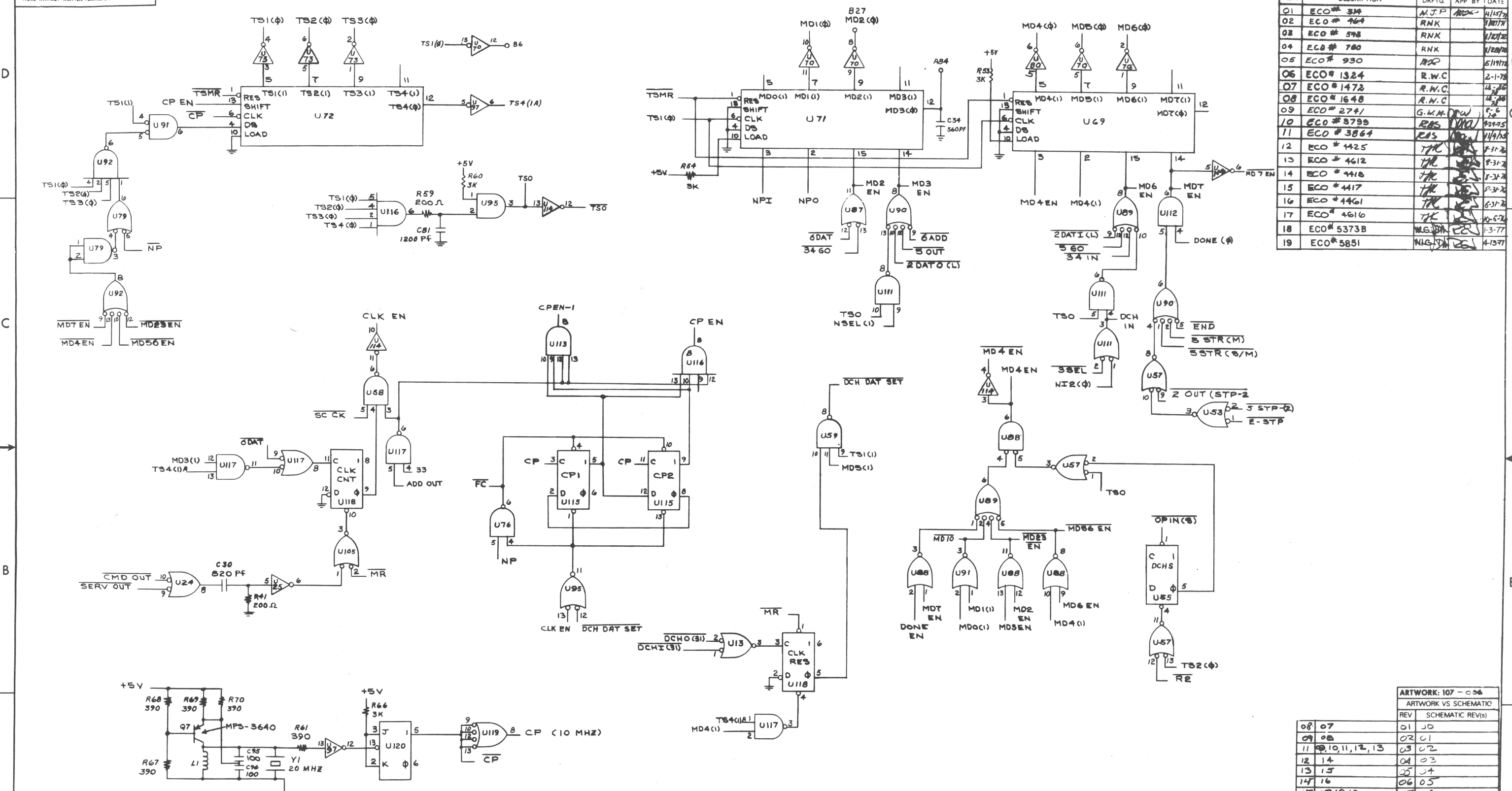


THIS DRAWING AND SPECIFICATIONS, HEREIN, ARE THE PROPERTY OF DATA GENERAL CORPORATION AND SHALL NOT BE REPRODUCED OR COPIED OR USED IN WHOLE OR IN PART AS THE BASIS FOR MANUFACTURE OR SALE OF ITEMS WITHOUT WRITTEN PERMISSION.

REVISIONS				
REV	DESCRIPTION	DRFTG	APP BY	DATE
01	ECO # 334	N.J.P.		4/15/72
02	ECO # 464	RNK		8/10/72
03	ECO # 598	RNK		1/21/73
04	ECO # 780	RNK		1/22/73
05	ECO # 930	MJC		5/19/73
06	ECO # 1324	R.W.C.		2-1-78
07	ECO # 1472	R.W.C.		4-2-78
08	ECO # 1648	R.W.C.		4-2-78
09	ECO # 2741	G.W.M.		5-2-78
10	ECO # 3799	R.S.		9-24-78
11	ECO # 3864	R.S.		11/9/78
12	ECO # 4425	TK		7-31-78
13	ECO # 4612	TK		8-31-78
14	ECO # 4418	TK		8-31-78
15	ECO # 4417	TK		8-31-78
16	ECO # 4461	TK		8-31-78
17	ECO # 4616	TK		10-5-78
18	ECO # 5373B	M.L.S.		1-3-77
19	ECO # 5851	M.L.S.		4-13-77



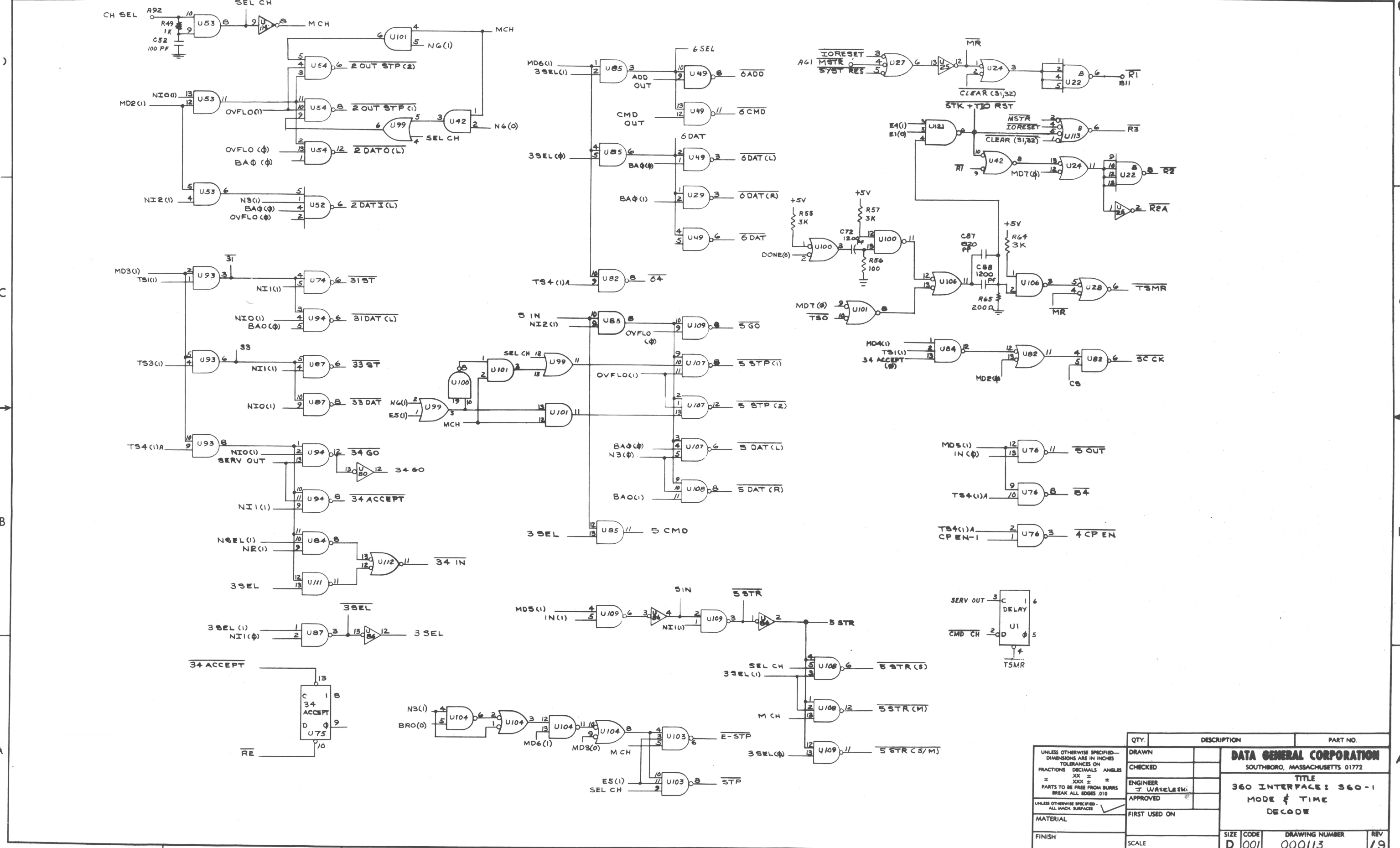
ARTWORK: 107-036	
ARTWORK VS SCHEMATIC	
REV	SCHEMATIC REV(S)
01	00
02	01
03	02
04	03
05	04
06	05
07	06

QTY.	DESCRIPTION	PART NO.
	DRAWN	
	CHECKED	
	ENGINEER	J. WASELESKI
	APPROVED	
	FIRST USED ON	4025
	MATERIAL	107-000086
	FINISH	

DATA GENERAL CORPORATION		
SOUTHBORO, MASSACHUSETTS 01772		
TITLE		
360 INTERFACE: 360-1		
TIME STATE - MODE CONTROL		
SIZE	CODE	DRAWING NUMBER
D	001	000113
SCALE		REV
		19

THIS DRAWING AND SPECIFICATIONS HEREIN, ARE THE PROPERTY OF DATA GENERAL CORPORATION AND SHALL NOT BE REPRODUCED OR COPIED OR USED IN WHOLE OR IN PART AS THE BASIS FOR MANUFACTURE OR SALE OF ITEMS WITHOUT WRITTEN PERMISSION.

REVISIONS			
REV	DESCRIPTION	DRFTG.	APP. BY DATE



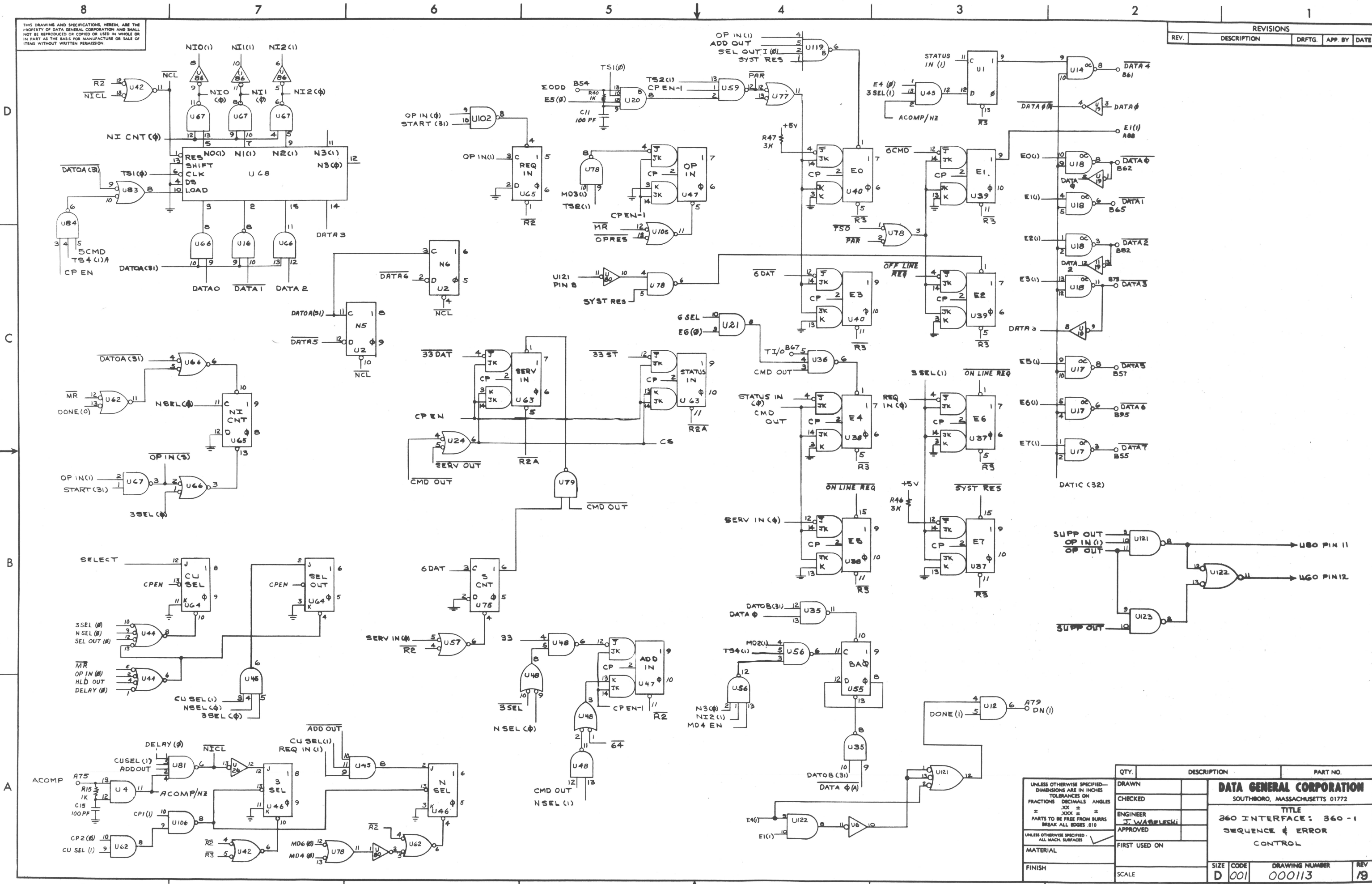
QTY.	DESCRIPTION	PART NO.

DRAWN		DATA GENERAL CORPORATION	
		SOUTH BORO, MASSACHUSETTS 01772	
		TITLE	
		360 INTERFACE: 360-1	
		MODE & TIME	
		DECODE	
ENGINEER		APPROVED	
MATERIAL		FIRST USED ON	
FINISH		SCALE	

SIZE	CODE	DRAWING NUMBER	REV
D	001	000113	19

THIS DRAWING AND SPECIFICATIONS HEREIN ARE THE PROPERTY OF DATA GENERAL CORPORATION AND SHALL NOT BE REPRODUCED OR COPIED OR USED IN WHOLE OR IN PART AS THE BASIS FOR MANUFACTURE OR SALE OF ITEMS WITHOUT WRITTEN PERMISSION.

REVISIONS			
REV.	DESCRIPTION	DRFTG.	APP. BY DATE



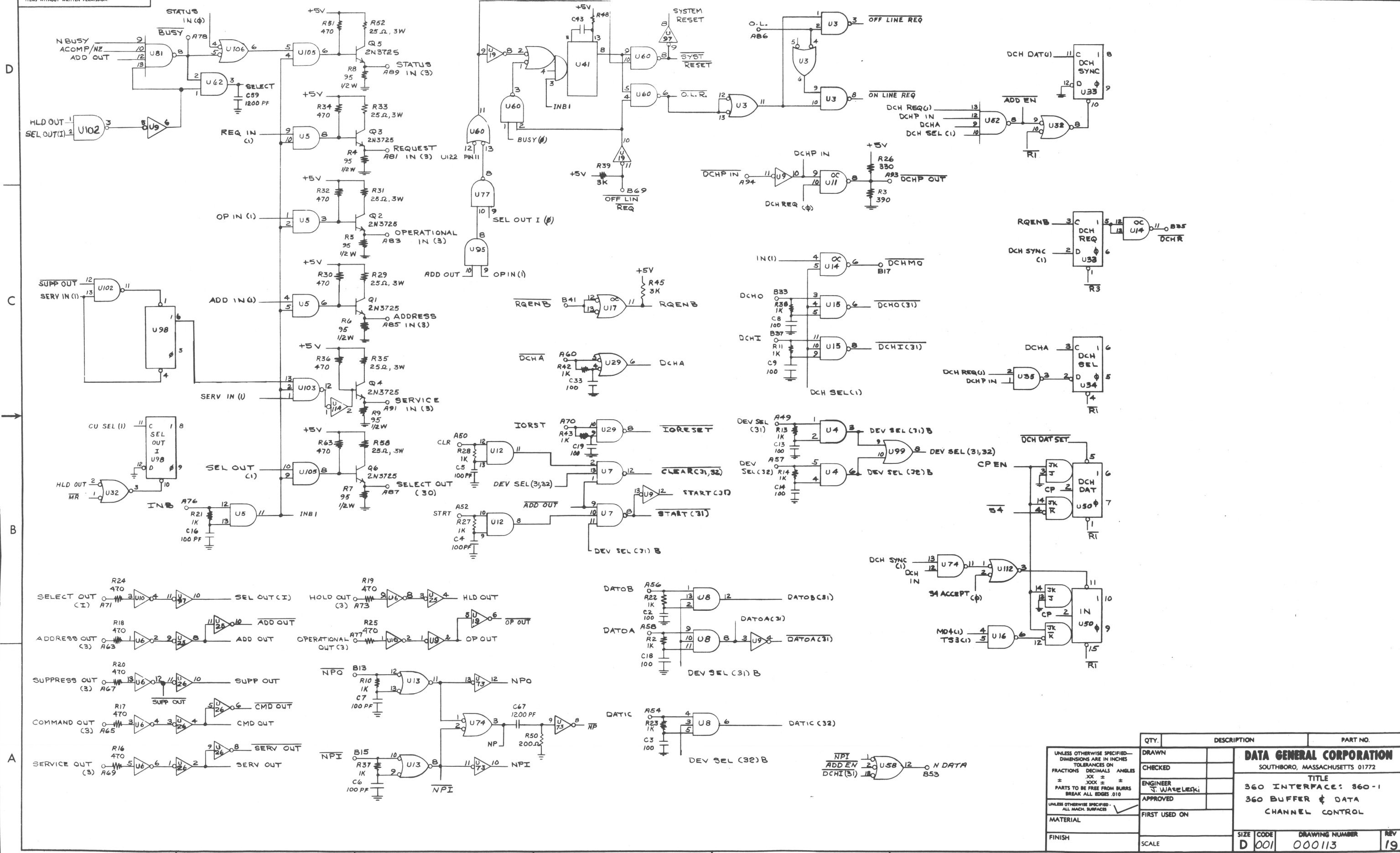
QTY.	DESCRIPTION	PART NO.

DRAWN		DATA GENERAL CORPORATION	
CHECKED		SOUTHBORO, MASSACHUSETTS 01772	
ENGINEER		TITLE	
APPROVED		360 INTERFACE: 360-1	
FIRST USED ON		SEQUENCE & ERROR	
MATERIAL		CONTROL	
FINISH			

SIZE	CODE	DRAWING NUMBER	REV
D	001	000113	19

THIS DRAWING AND SPECIFICATIONS HEREIN ARE THE PROPERTY OF DATA GENERAL CORPORATION AND SHALL NOT BE REPRODUCED OR COPIED OR USED IN WHOLE OR IN PART AS THE BASIS FOR MANUFACTURE OR SALE OF ITEMS WITHOUT WRITTEN PERMISSION.

REVISIONS			
REV.	DESCRIPTION	DRFTG	APP. BY DATE

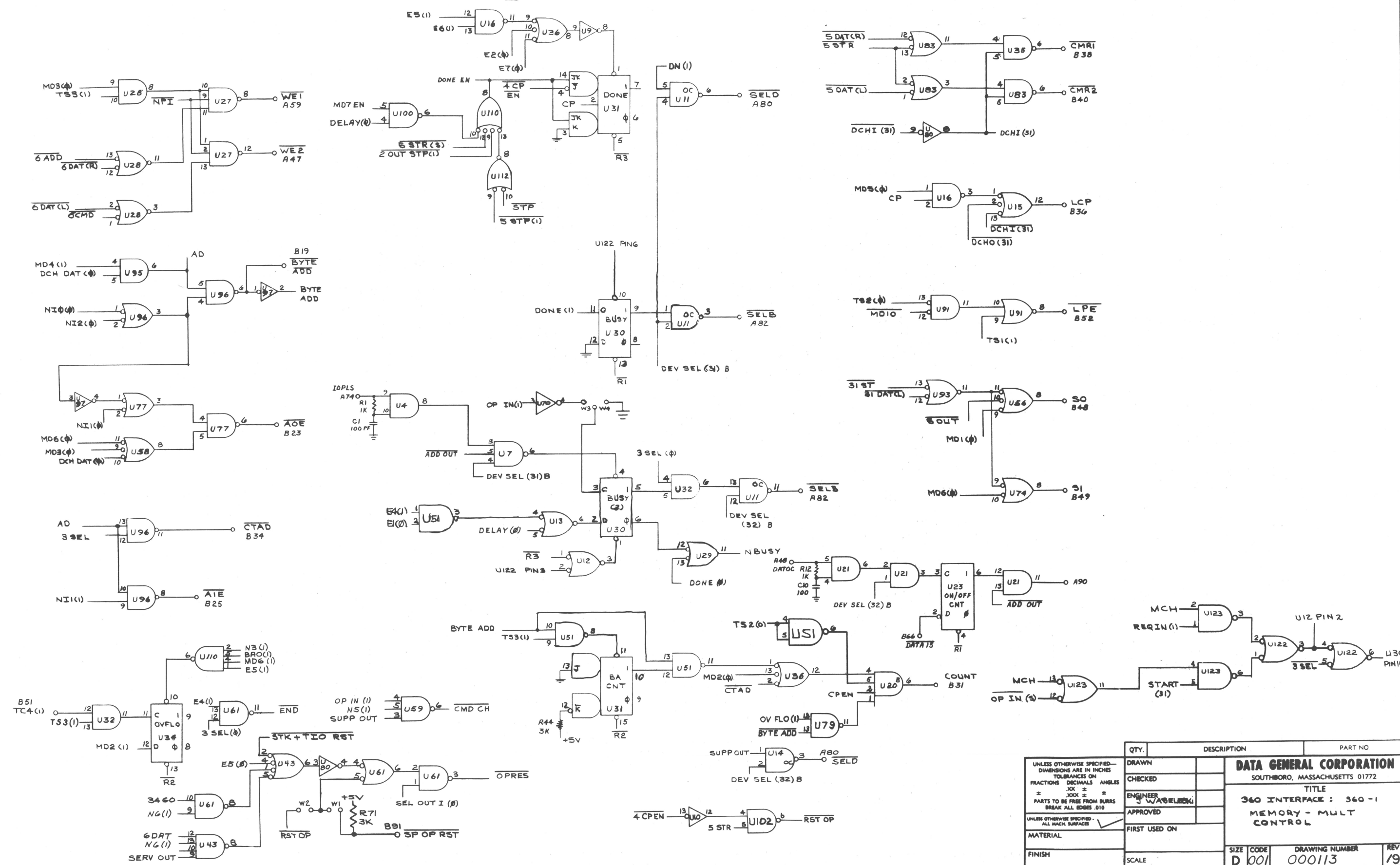


QTY.	DESCRIPTION	PART NO.

DRAWN		DATA GENERAL CORPORATION SOUTHBORO, MASSACHUSETTS 01772	
CHECKED			
ENGINEER		TITLE 360 INTERFACE: 360-1 360 BUFFER & DATA CHANNEL CONTROL	
APPROVED			
FIRST USED ON			
MATERIAL			
FINISH			
SIZE	CODE	DRAWING NUMBER	REV
D	001	000113	19

REVISIONS			
REV.	DESCRIPTION	DRFTG	APP BY DATE

THIS DRAWING AND SPECIFICATIONS HEREIN ARE THE PROPERTY OF DATA GENERAL CORPORATION AND SHALL NOT BE REPRODUCED OR COPIED OR USED IN WHOLE OR IN PART AS THE BASIS FOR MANUFACTURE OR SALE OF ITEMS WITHOUT WRITTEN PERMISSION.



QTY.	DESCRIPTION	PART NO

UNLESS OTHERWISE SPECIFIED - DIMENSIONS ARE IN INCHES - FRACTIONS DECIMALS ANGLES		DATA GENERAL CORPORATION SOUTHBORO, MASSACHUSETTS 01772	
DRAWN CHECKED ENGINEER APPROVED	J. WAGLEWICK APPROVED	TITLE 360 INTERFACE: 360-1 MEMORY - MULT CONTROL	
MATERIAL		SIZE	CODE
FINISH		D	001
FIRST USED ON		DRAWING NUMBER	REV
SCALE		000113	19