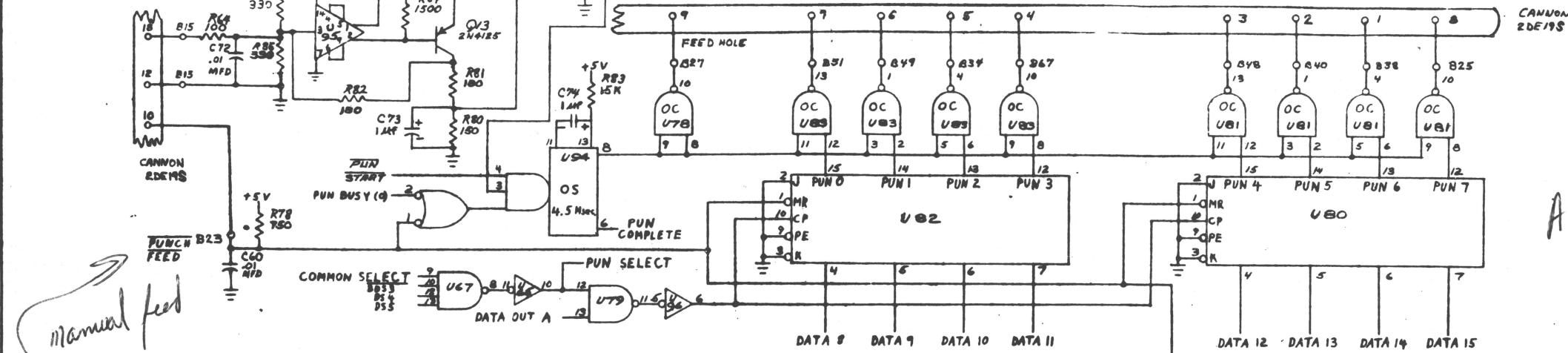


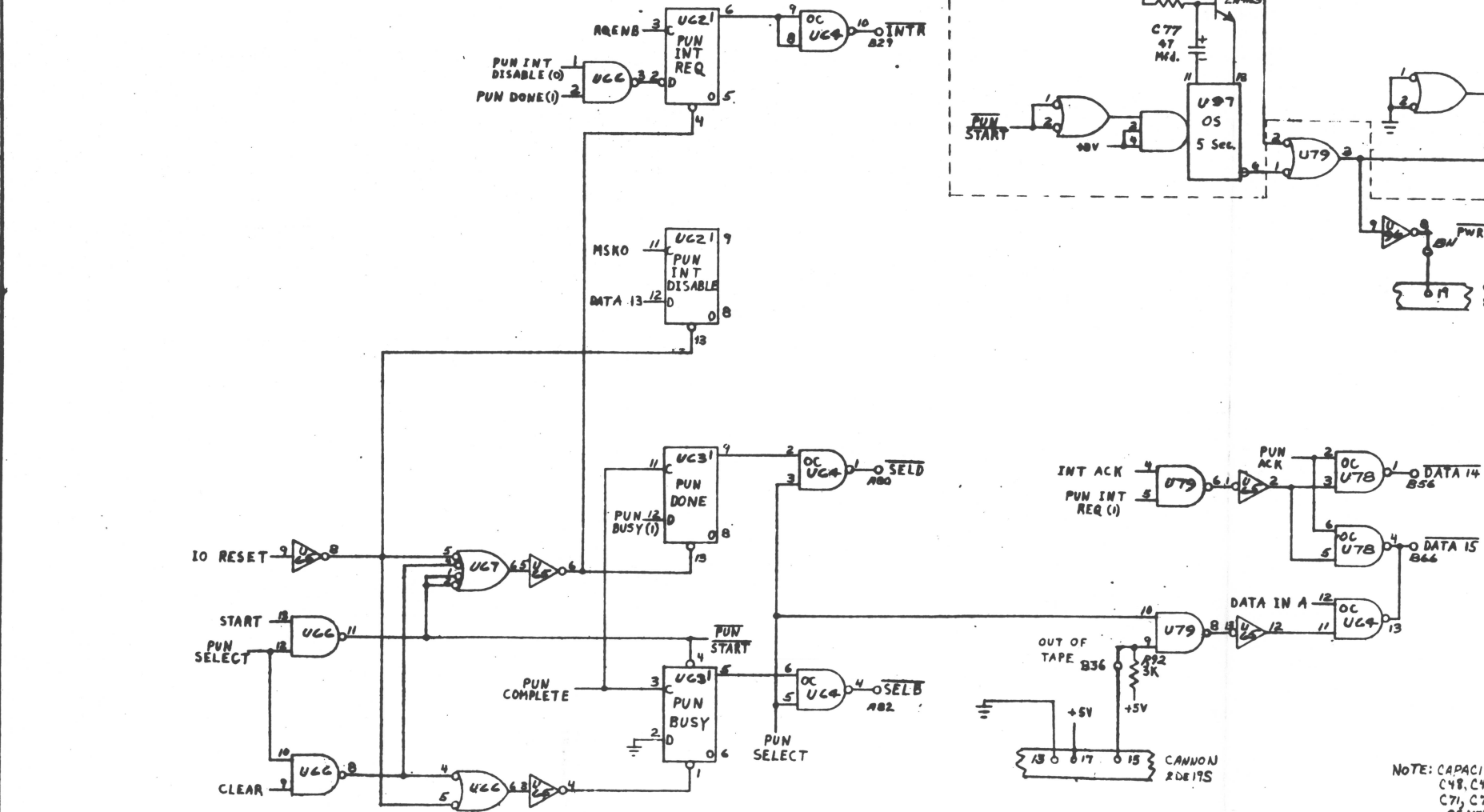
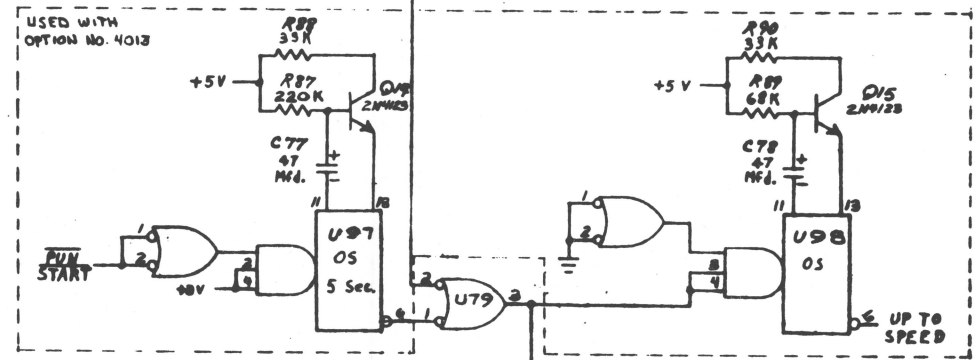
PROPERTY OF DATA GENERAL CORPORATION. THIS DRAWING IS THE PROPERTY OF DATA GENERAL CORPORATION AND SHALL NOT BE REPRODUCED OR COPIED OR USED IN WHOLE OR IN PART AS THE BASIS FOR MANUFACTURE OR SALE OF ITEMS WITHOUT WRITTEN PERMISSION.

| REVISIONS | | | | |
|-----------|-------------|-------|--------|------|
| REV | DESCRIPTION | DRFTG | APP BY | DATE |
| | | | | |



A Buffer (Panel)

Manual feed



NOTE: CAPACITORS C37, C48, C49, C61, C62, C71, C75, & C76 ARE .05 MFD FILTERS, AND ASSUCH ARE NOT SHOWN ON THIS DRAWING.

| QTY. | DESCRIPTION | PART NO |
|------|-------------|---------|
| | | |

| | | | | | | | |
|---------------|--|---|-------|----------------|--------|-----|----|
| DRAWN | | DATA GENERAL CORPORATION TITLE PAPER TAPE PUNCH CONTROL 4012 | | | | | |
| CHECKED | | | | | | | |
| ENGINEER | | | | | | | |
| APPROVED | | | | | | | |
| FIRST USED ON | | | | | | | |
| MATERIAL | | SIZE CODE | D 001 | DRAWING NUMBER | 000073 | REV | 02 |
| FINISH | | SHEET | 1 | OF | 1 | | |