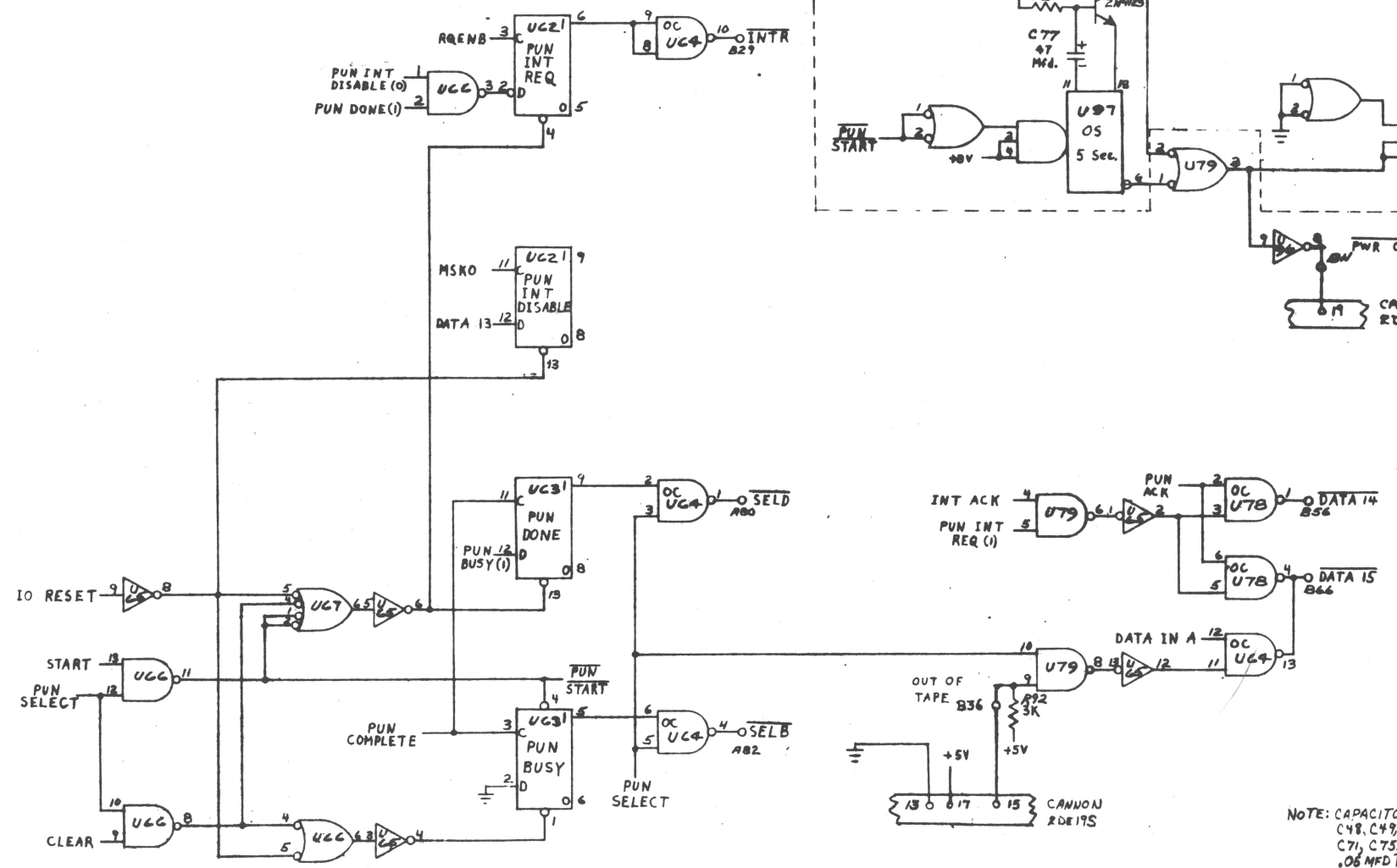
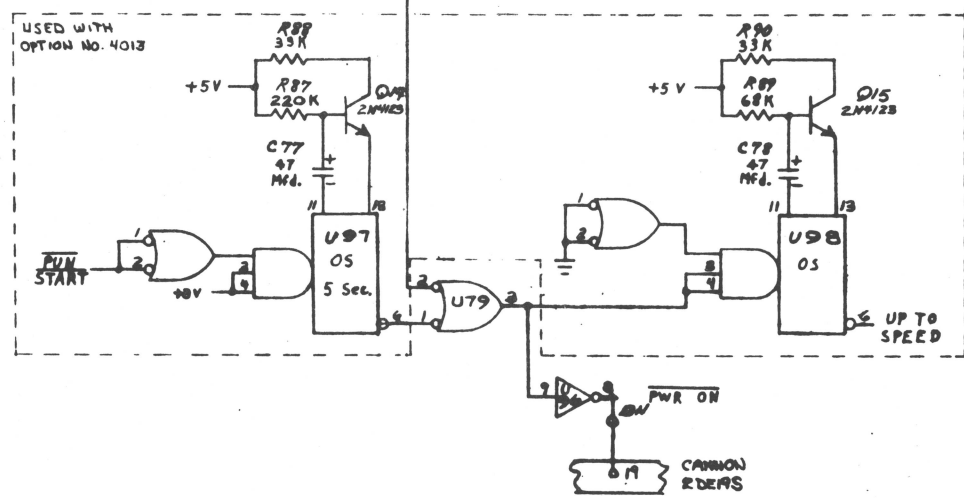
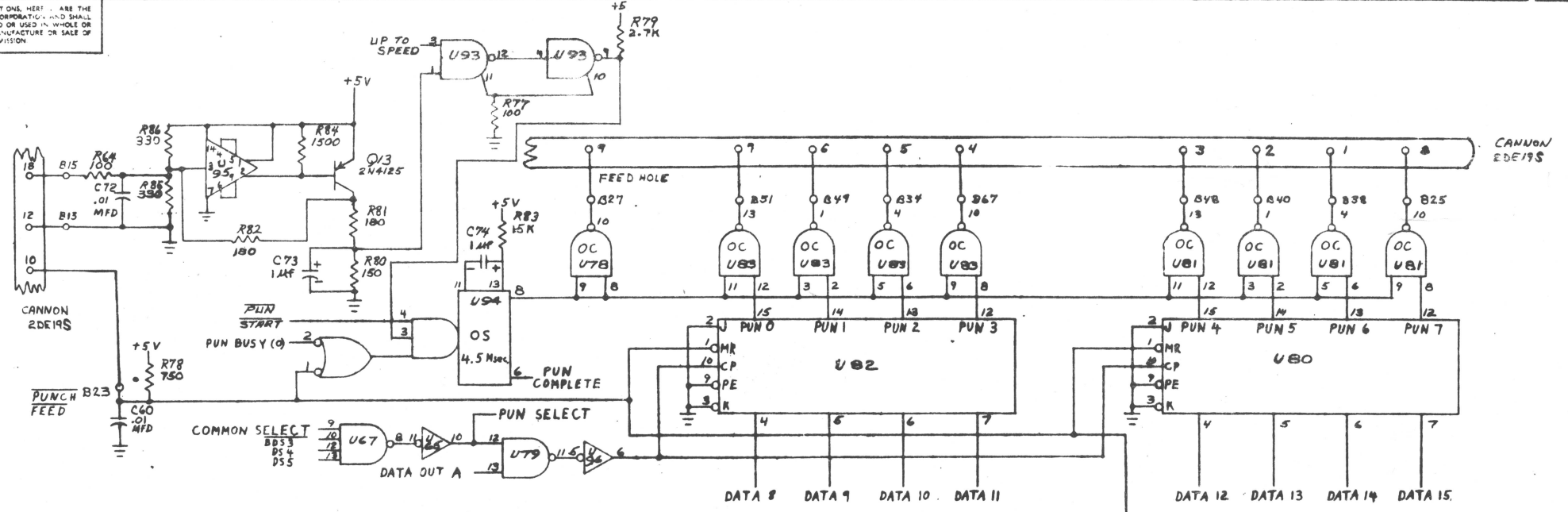


ALL DIMENSIONS ARE IN INCHES UNLESS OTHERWISE SPECIFIED. DIMENSIONS ON FRACTIONS SHALL BE REPRODUCED ON COPIES OR USED IN WHOLE OR PART AS THE BASIS FOR MANUFACTURE OR SALE OF THIS DRAWING WITHOUT WRITTEN PERMISSION.

REVISIONS			
REV	DESCRIPTION	DRFTG	APP BY DATE



NOTE: CAPACITORS C37, C48, C49, C61, C62, C71, C75 & C76 ARE .05 MFD FILTERS, AND AS SUCH ARE NOT SHOWN ON THIS DRAWING.

QTY.		DESCRIPTION		PART NO.	
DRAWN		DATA GENERAL CORPORATION		TITLE	
CHECKED		PAPER TAPE PUNCH		CONTROL 4012	
ENGINEER		APPROVED		FIRST USED ON	
MATERIAL		FINISH		SIZE CODE	
SHEET 1 OF 1		DRAWING NUMBER		REV	
		D 001 000073		02	