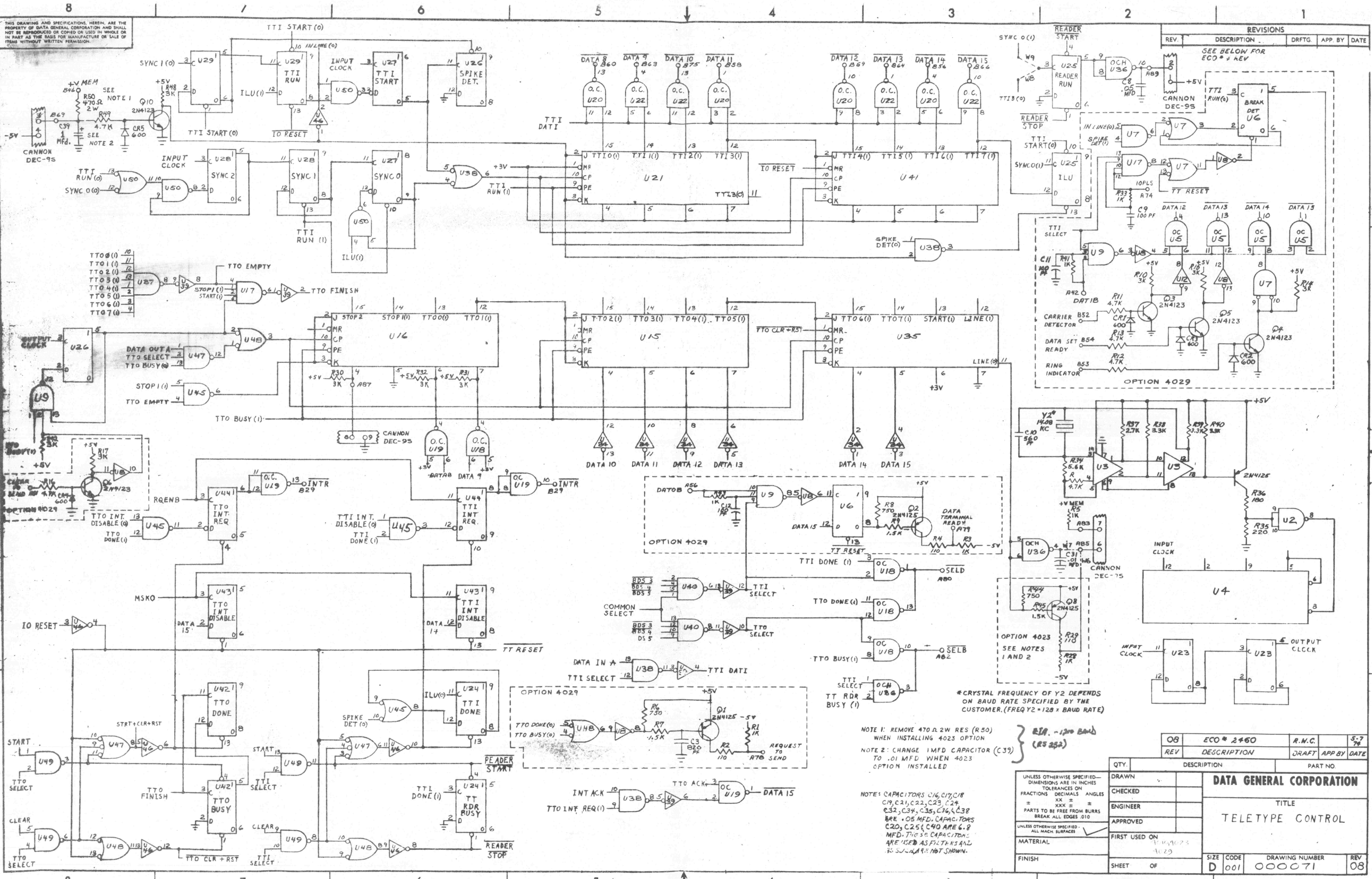
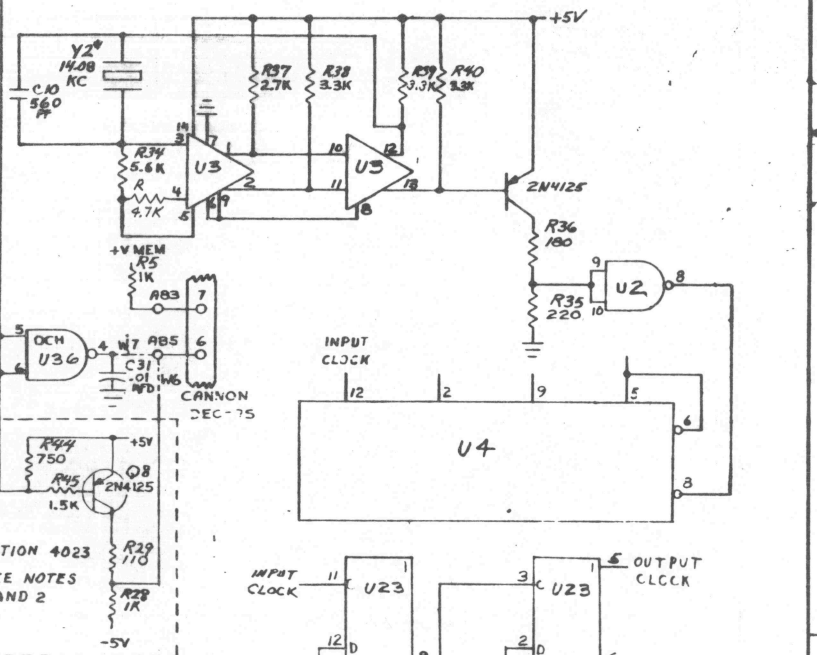
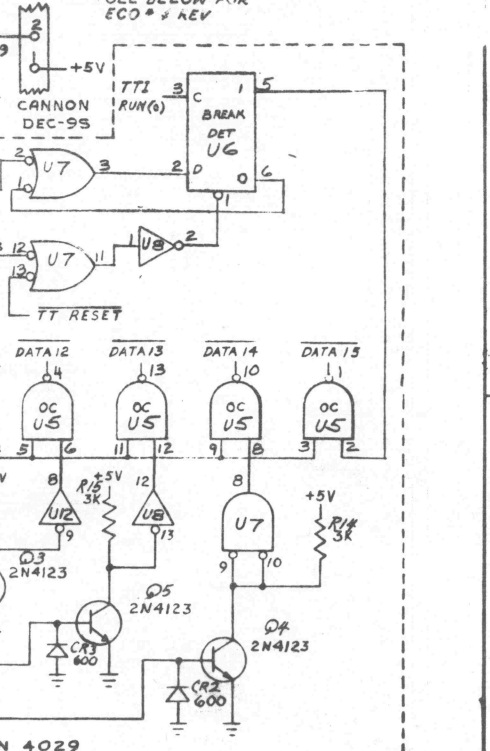


THIS DRAWING AND SPECIFICATIONS HEREIN ARE THE PROPERTY OF DATA GENERAL CORPORATION AND SHALL NOT BE REPRODUCED OR COPIED OR USED IN WHOLE OR IN PART AS THE BASIS FOR MANUFACTURE OR SALE OF ITEMS WITHOUT WRITTEN PERMISSION.



REVISIONS			
REV.	DESCRIPTION	DRFTG	APP BY DATE
08	ECO # 2460	R.W.C.	5-7 78
REV	DESCRIPTION	DRAFT	APP BY DATE



*CRYSTAL FREQUENCY OF Y2 DEPENDS ON BAUD RATE SPECIFIED BY THE CUSTOMER. (FREQ Y2 = 128 x BAUD RATE)

NOTE 1: REMOVE 470 Ω 2W RES (R50) WHEN INSTALLING 4023 OPTION

NOTE 2: CHANGE 1MFD CAPACITOR (C39) TO .01 MFD WHEN 4023 OPTION INSTALLED

NOTE: CAPACITORS C16, C17, C18, C19, C21, C22, C23, C24, C32, C34, C35, C36, C38 ARE .05 MFD. CAPACITORS C20, C25, C40 ARE 6.8 MFD. THE 50 CAPACITORS ARE USED AS FILTERS AND 10 50-μA RES NOT SHOWN.

QTY.	DESCRIPTION	PART NO.
08	ECO # 2460	R.W.C.
REV	DESCRIPTION	DRAFT APP BY DATE

DRAWN				CHECKED				ENGINEER				APPROVED			
FIRST USED ON				MATERIAL				FINISH				SHEET OF			
DATA GENERAL CORPORATION				TITLE				DRAWING NUMBER				REV			
TELETYPE CONTROL				D 001				000071				08			