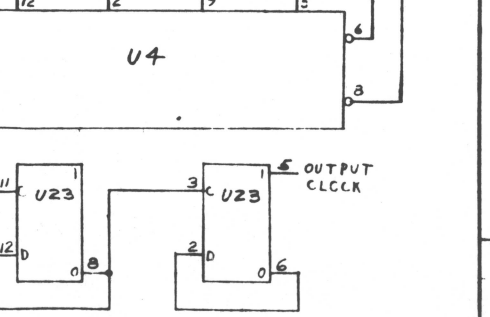
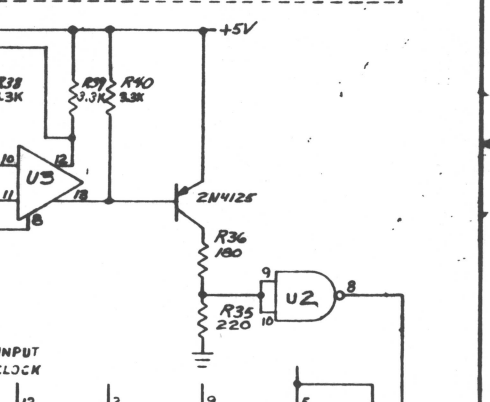
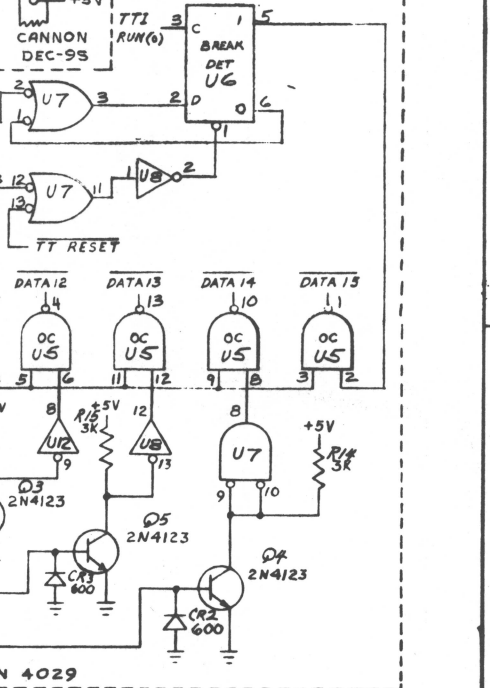


REVISIONS			
REV.	DESCRIPTION	DRFTG.	APP. BY DATE
08	ECO # 2460	R.M.C.	5-7 72

SEE BELOW FOR ECO # 2 REV



DATA GENERAL CORPORATION			
TITLE			
TELETYPE CONTROL			
QTY.	DESCRIPTION	PART NO.	
08	ECO # 2460	R.M.C.	5-7 72
REV	DESCRIPTION	DRFTG	APP BY DATE
DRAWN		APPROVED	
CHECKED		FIRST USED ON	
ENGINEER		MATERIAL	
APPROVED		FINISH	
SHEET OF		SIZE CODE	DRAWING NUMBER
		D	001 000071
			REV 08

NOTE 1: REMOVE 470.2W RES (R50) WHEN INSTALLING 4023 OPTION
 NOTE 2: CHANGE 1MFD CAPACITOR (C31) TO .01 MFD WHEN 4023 OPTION INSTALLED

NOTE: CAPACITORS C16, C17, C18, C19, C21, C22, C23, C24, C32, C34, C35, C36, C38 ARE .05 MFD. CAPACITORS C20, C25, C40 ARE 6.8 MFD. THESE CAPACITORS ARE USED AS FILTERS AND NO SOLDER IS NOT SHOWN.

*CRYSTAL FREQUENCY OF Y2 DEPENDS ON BAUD RATE SPECIFIED BY THE CUSTOMER. (FREQ Y2 = 128 x BAUD RATE)