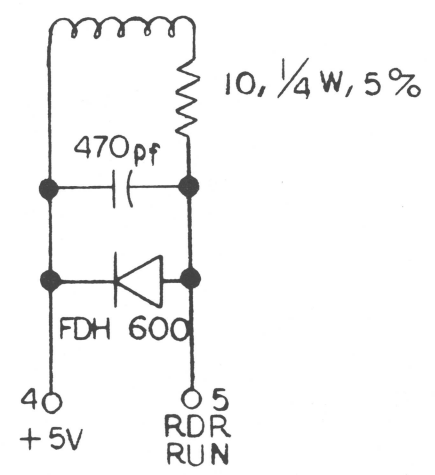
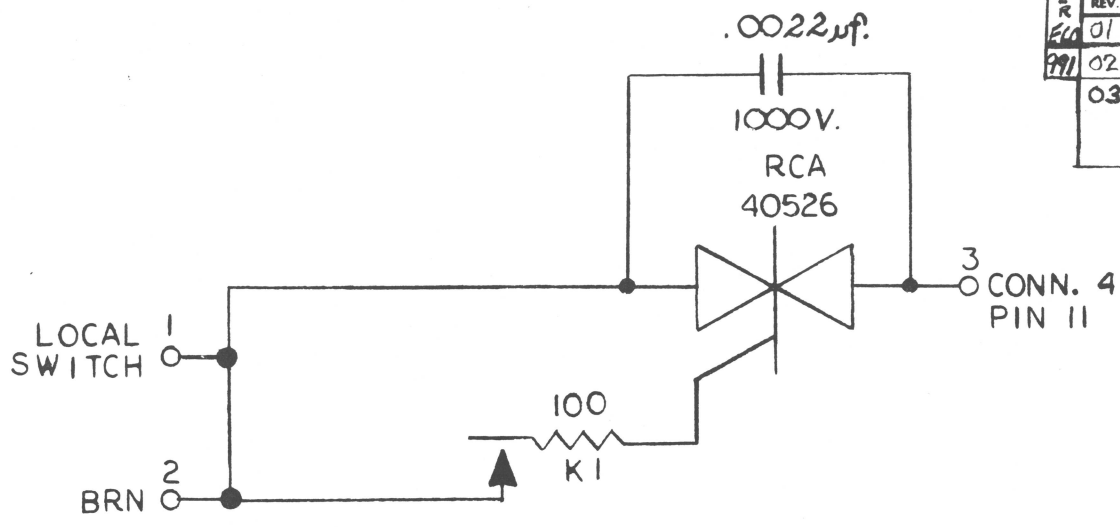


THIS DRAWING AND SPECIFICATIONS HEREIN, ARE THE PROPERTY OF DATA GENERAL CORPORATION AND SHALL NOT BE REPRODUCED OR COPIED OR USED IN WHOLE OR IN PART AS THE BASIS FOR MANUFACTURE OR SALE OF ITEMS WITHOUT WRITTEN PERMISSION.

REVISIONS				
REV.	DESCRIPTION	DRFTG.	APP. BY	DATE
01		BE		3/72
02	DELETED W/LEP/L	G.W.	L.S.	5/72
03	PER ECO #1181 .0022 μ F CAP ADDED.	R.W.C.		11/18 72



QTY.	DESCRIPTION	PART NO.
	<i>5/72</i>	
DATA GENERAL CORPORATION		
TITLE TELETYPE RELAY BOARD		
UNLESS OTHERWISE SPECIFIED— DIMENSIONS ARE IN INCHES TOLERANCES ON FRACTIONS DECIMALS ANGLES XXX ± ± .XXX ± PARTS TO BE FREE FROM BURRS BREAK ALL EDGES 010	DRAWN <i>G. W. G. 5/72</i>	
UNLESS OTHERWISE SPECIFIED— ALL MACH. SURFACES	CHECKED	
MATERIAL	ENGINEER <i>R. W. C. 5/72</i>	
FINISH	APPROVED	
	FIRST USED ON	
	SHEET / OF /	
SIZE	CODE	DRAWING NUMBER
A	001	000013
		REV
		03